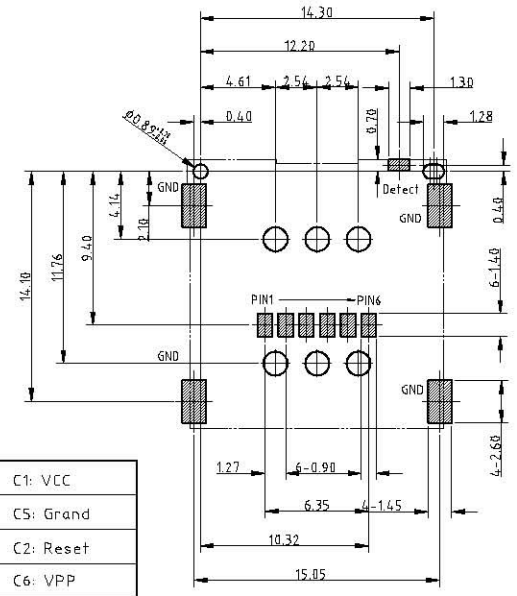
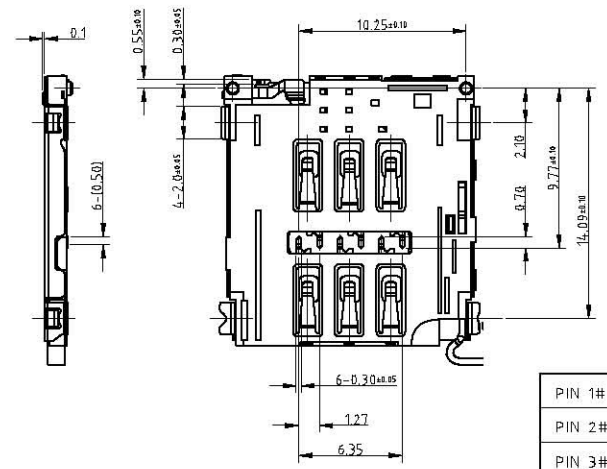
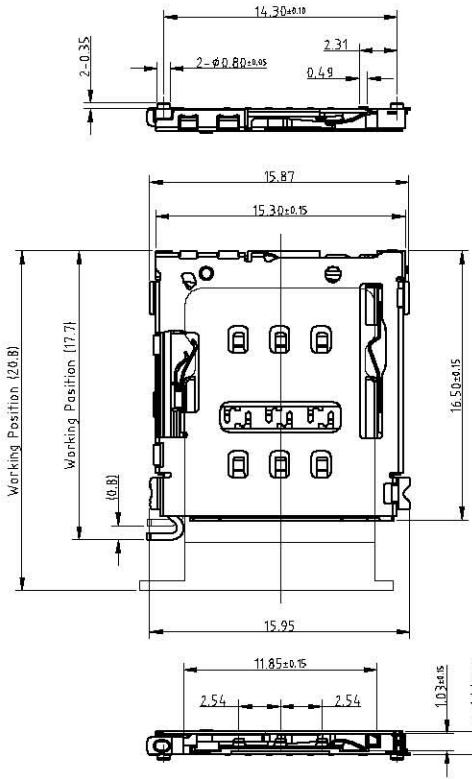


RoHS

REV.	EC#	DESCRIPTION	DATE	DRAWING	CHECKED	APPROVED
A0		NEW RELEASE	07/12'16	YZZ		HAIYONG



PIN 1#	C1: VCC
PIN 2#	C5: Grand
PIN 3#	C2: Reset
PIN 4#	C6: VPP
PIN 5#	C3: Clock
PIN 6#	C7: I/O

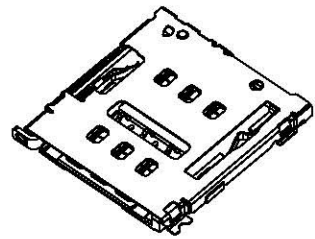
Recommended PCB Layout
Tolerance: ±0.05

NOTE:
Material & Finish See Table;

2. Circuit Diagram For Switch



3. Characteristic:
- 3-1. Current Rating: 1A max.
 - 3-2. Contact Resistance: 50mOhms max.
 - 3-3. Insulation Resistance: 100MOhms min./500VDC
 - 3-4. Dielectric Withstanding Voltage: 500VAC/1minute
 - 3-5. Mating Force: 10N Max. Withdrawal Force: 1N Min.
 - 3-6. Durability: 1500 Cycles
 - 3-7. Operating Temperature: -25°C to +85°C
4. Critical Dimensions Marked "▼" Should Check By QC.
5. Please Contact GOSTAR Sales Representative to Verify Product Details.



6	Shell	Stainless Steel	Nickel Under Plated Overall.
5	Lever	Stainless Steel	/
4	Cam	Stainless Steel	/
3	Housing	Thermoplastics	Black, UL94V-0
2	Detect	Copper Alloy	Gold Flash on Solder Tails and Contact Area; Nickel Under Plated Overall
1	Terminal	Copper Alloy	Gold Flash on Solder Tails and Contact Area; Nickel Under Plated Overall
Item	Part Name	Material	Description

MILLIMETERS	INCH	UNITS	MM
X ^o ± Z	X ^o ± Z	MAT'L	
.X ± 0.30	.XX ± 0.012	SEE NOTES	
.XX ± 0.20	.XXX ± 0.008	FINISH	
.XXX ± 0.10	.XXXX ± 0.004	SEE NOTES	
		QTY	
		SEE NOTES	

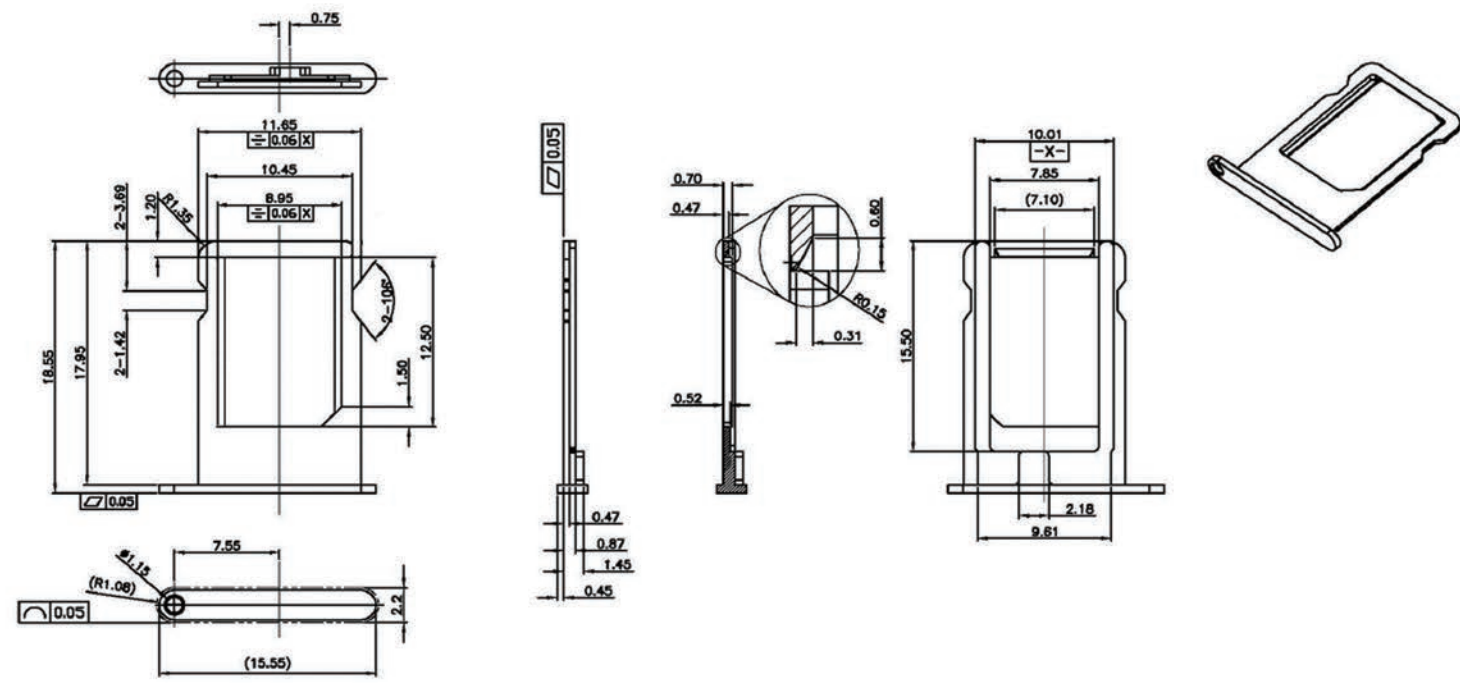
深圳市连欣科技有限公司

PART NUMBER: XDSM-0615-A012-B
TITLE: 1.5H Nano SIM Card CONN With Detect

APPD: DWG NO.: C-402013622-00
CHKD: SCALE: 1:1
DR: SHEET: 1/2 REV: A1

THESE DRAWINGS AND SPECIFICATIONS ARE THE PROPERTY OF Deng Guan Jin Bi Lai Electronic Co., Ltd. COPIED OR USED IN ANY MANNER WITHOUT THE PRIOR WRITTEN CONSENT OF Deng Guan Jin Bi Lai Electronic Co., Ltd.

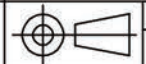
REV.	EC# No.	DESCRIPTION	DATE



备注：
 1、材质6061
 2、表面阳极氧化

料号	颜色

GENERAL TOLERANCES UNLESS SPECIFIED	DRAWN BY	CHECKED BY	APPROVED BY	QTY	FINISH	MATERIAL	TITLE	深圳市连欣科技有限公司		
								SHEET	SCALE	REV
									1:1	01



1 2 3 4 5 6 7 8

X-ON Electronics

Largest Supplier of Electrical and Electronic Components

Click to view similar products for [Memory Card Connectors](#) category:

Click to view products by [Lian Xin](#) manufacturer:

Other Similar products are found below :

[6407-249V-25273P](#) [6407-249V-25343P](#) [6426-201-21343](#) [69.920.0553.0](#) [MCR60A-98D-2.54DSA\(70\)](#) [809180410000000](#) [DM3AT-SF-PEJM5\(41\)](#) [IC11S-BUR-PNEJL\(71\)](#) [C70210M0083692](#) [2041353-2](#) [308-DS1P0811-192](#) [HM2P09PDR360N9LF](#) [10014744-011TLF](#) [11327-001](#) [11327-002](#) [NX1-32T-KT3K\(05\)](#) [95622-003LF](#) [84648-056HLF](#) [CCM03-3109 B LFT](#) [MS3116J10-6PW](#) [2309923-1](#) [61126-050CAHLF](#) [GTFP08432B1HR](#) [G85D1160022HHR](#) [SCE2MSDB76A121SN](#) [SCE2MSDZN76A121SN](#) [10014744-011ALF](#) [10014744-011LF](#) [10057542-1211FLF](#) [10067972-000LF](#) [10067972-050LF](#) [10122302-20110LF](#) [G85D1162022HHR](#) [TF-05A](#) [SMN-304-ARP6](#) [MIS11-S1F1-2000-A](#) [SMN-308-ARSP7](#) [MCS-302S-KT1B](#) [SMN-308-ACSP7](#) [K-DYX-008](#) [K-DYX-004](#) [HYCW126-TF18-150B](#) [C7024-03](#) [SMO-1030](#) [MCS-110-KT](#) [SIM-217](#) [SNO-1355-KT](#) [SMO-1025-P10](#) [SIM-211S-P6](#) [SNO-1440](#)