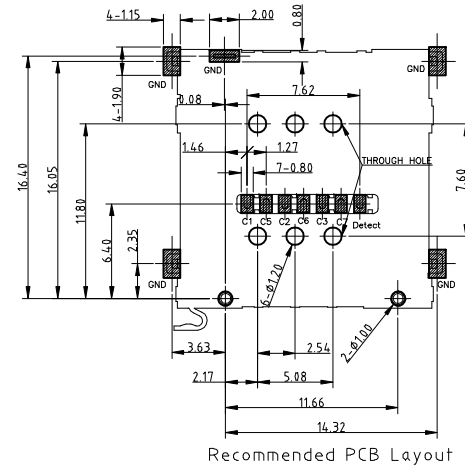
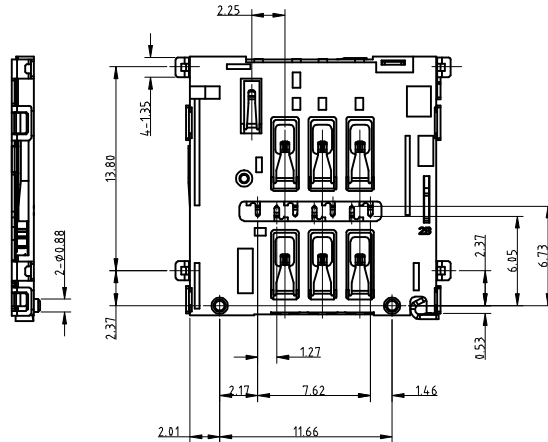
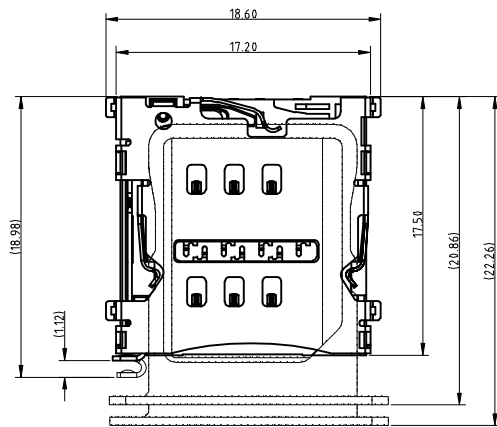
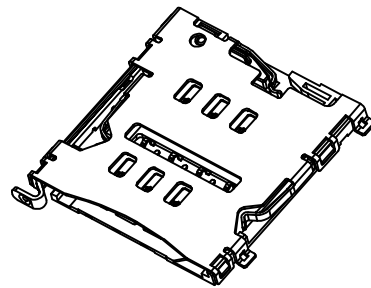
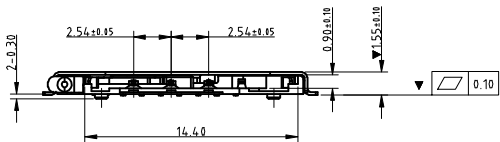


RoHS

REV.	EC#	DESCRIPTION	DATE	DRAWING	CHECKED	APPROVED
AO		NEW RELEASE	07/12'16	YZZ		HAIYONG



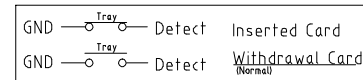
Recommended PCB Layout
Tolerance: ±0.05



NOTE:

1. Material & Finish See Table;

2. Circuit Diagram For Switch



3. Characteristic:

- 3-1.Current Rating :1A max.
- 3-2.Contact Resistance:50mOhms max
- 3-3.Insulation Resistance:1000M0hmsΩ min./500VDC
- 3-4.Dielectric Withstanding Voltage:500VAC/1minute
- 3-5.Mating Force: 8N Max, Withdrawal Force: 1N Min.;
- 3-6.Durability: 3000 Cycles

3-7.Operating Temperature:-25°C to+85°C

4. Critical Dimensions Marked "▼" Should Check By QC.

5. Please Contact PROMAX Sales Representative to Verify Product Details.

Item	Part Name	Material	Description
6	Shell	Stainless Steel	Nickel Under Plated Overall.
5	Lever	Stainless Steel	/
4	Cam	Stainless Steel	/
3	Housing	Thermoplastics	Black,UL94V-0
2	Detect	Copper Alloy	Gold Flash on Solder Tails ;
1	Terminal	Copper Alloy	Gold Flash on Contact Area; Nickel Under Plated Overall.

MILLIMETERS	INCH	UNITS
.X ± 0.2	.X ± 0.2	MM
.XX ± 0.30	.XX ± 0.012	MAT'L
.XXX ± 0.20	.XXX ± 0.008	SEE NOTES
.XXX ± 0.10	.XXX ± 0.004	FINISH

THESE DRAWINGS AND SPECIFICATIONS ARE THE PROPERTY OF Dong Guan Jin Bi Lai Electronic Co.,Ltd
COPIED OR USED IN ANY MANNER WITHOUT THE PRIOR WRITTEN CONSENT OF Dong Guan Jin Bi Lai Electronic Co.,Ltd

QTY	SEE NOTES
CHKD:	DR:

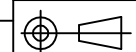
深圳市连欣科技有限公司

PART NUMBER:
XDSM-0615-A602

TITLE:
1.5H Lever Type Micro SIM Card CONN

APPD:

DWG NO.:
C-402013602-00



SCALE	SHEET	REV.
1:1	1/2	A1

X-ON Electronics

Largest Supplier of Electrical and Electronic Components

Click to view similar products for [Memory Card Connectors](#) category:

Click to view products by [Lian Xin](#) manufacturer:

Other Similar products are found below :

[6407-249V-25273P](#) [6407-249V-25343P](#) [6426-201-21343](#) [69.920.0553.0](#) [MCR60A-98D-2.54DSA\(70\)](#) [809180410000000](#) [DM3AT-SF-PEJM5\(41\)](#) [IC11S-BUR-PNEJL\(71\)](#) [C70210M0083692](#) [2041353-2](#) [308-DS1P0811-192](#) [HM2P09PDR360N9LF](#) [10014744-011TLF](#) [11327-001](#) [11327-002](#) [NX1-32T-KT3K\(05\)](#) [95622-003LF](#) [84648-056HLF](#) [CCM03-3109 B LFT](#) [MS3116J10-6PW](#) [2309923-1](#) [61126-050CAHLF](#) [GTFP08432B1HR](#) [G85D1160022HHR](#) [SCE2MSDZN76A121SN](#) [10014744-011ALF](#) [10014744-011LF](#) [10057542-1211FLF](#) [10067972-000LF](#) [10067972-050LF](#) [10122302-20110LF](#) [G85D1162022HHR](#) [TF-05A](#) [M6014-12](#) [XKNANO-1412](#) [SMN-304-ARP6](#) [MIS11-S1F1-2000-A](#) [SMN-308-ARSP7](#) [MCS-302S-KT1B](#) [SMN-308-ACSP7](#) [K-DYX-008](#) [K-DYX-004](#) [HYCW126-TF18-150B](#) [C7024-03](#) [SMO-1030](#) [MCS-110-KT](#) [SIM-217](#) [SNO-1355-KT](#) [SMO-1025-P10](#) [SIM-211S-P6](#)