

Specification

MATERIAL:

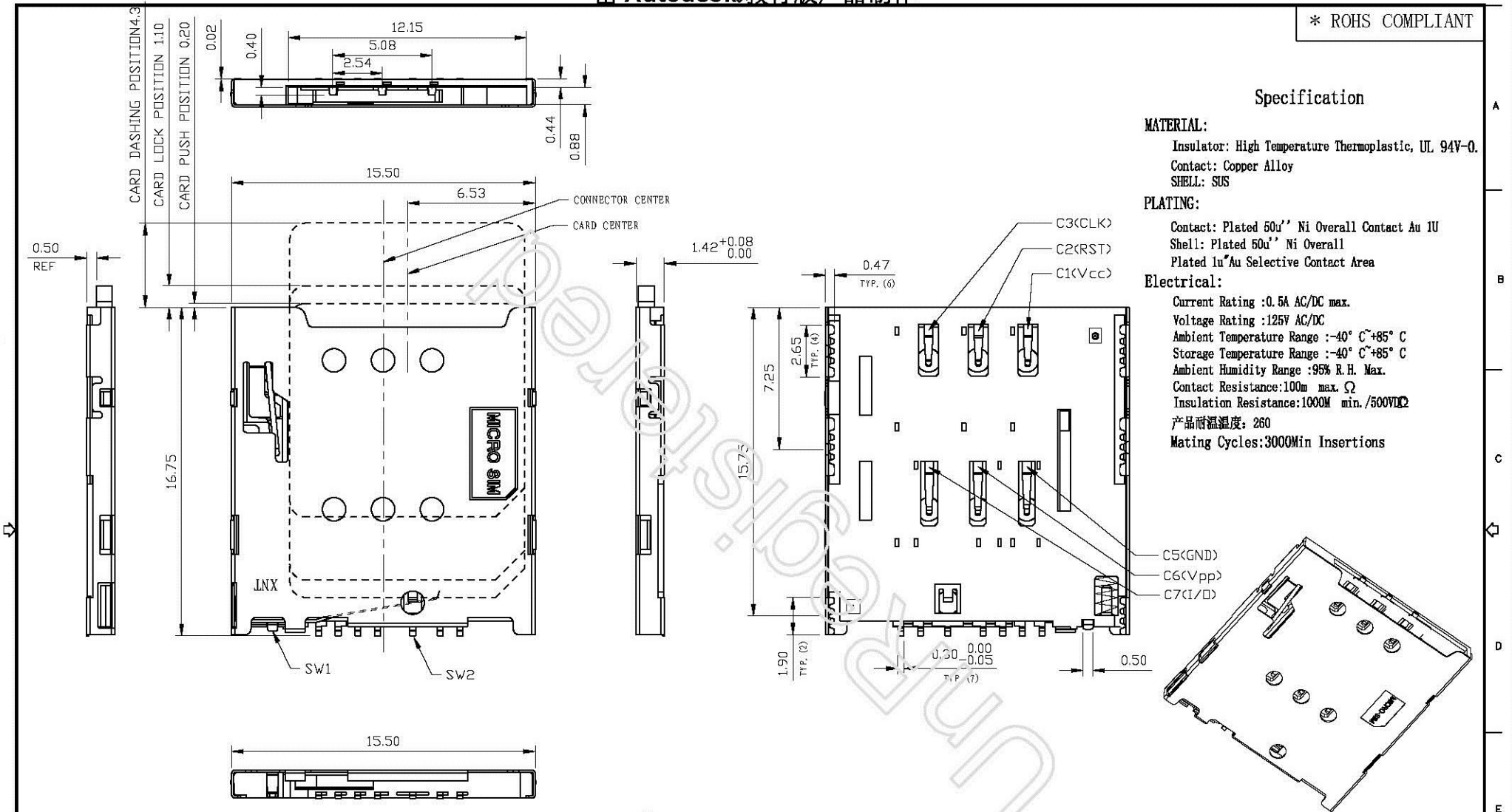
Insulator: High Temperature Thermoplastic, UL 94V-0.  
Contact: Copper Alloy  
SHELL: SUS

PLATING:

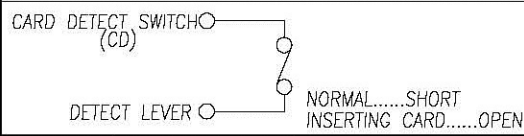
Contact: Plated 50μ' Ni Overall Contact Au 1U  
Shell: Plated 50μ' Ni Overall  
Plated In Au Selective Contact Area

Electrical:

Current Rating :0.5A AC/DC max.  
Voltage Rating :125V AC/DC  
Ambient Temperature Range :-40° C~+85° C  
Storage Temperature Range :-40° C~+85° C  
Ambient Humidity Range :95% R.H. Max.  
Contact Resistance:100m max. Ω  
Insulation Resistance:1000M min./500VDC  
产品耐温温度: 260  
Mating Cycles:3000Min Insertions



CRICUIT DIAGRAM FOR CARD DETECT SWITCH



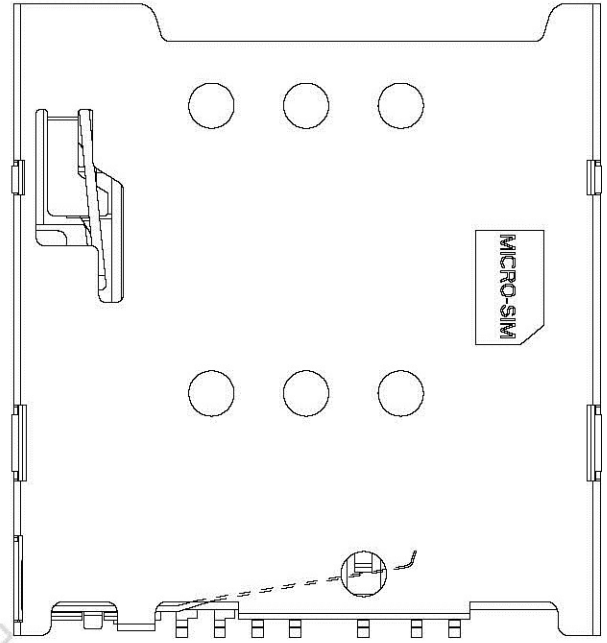
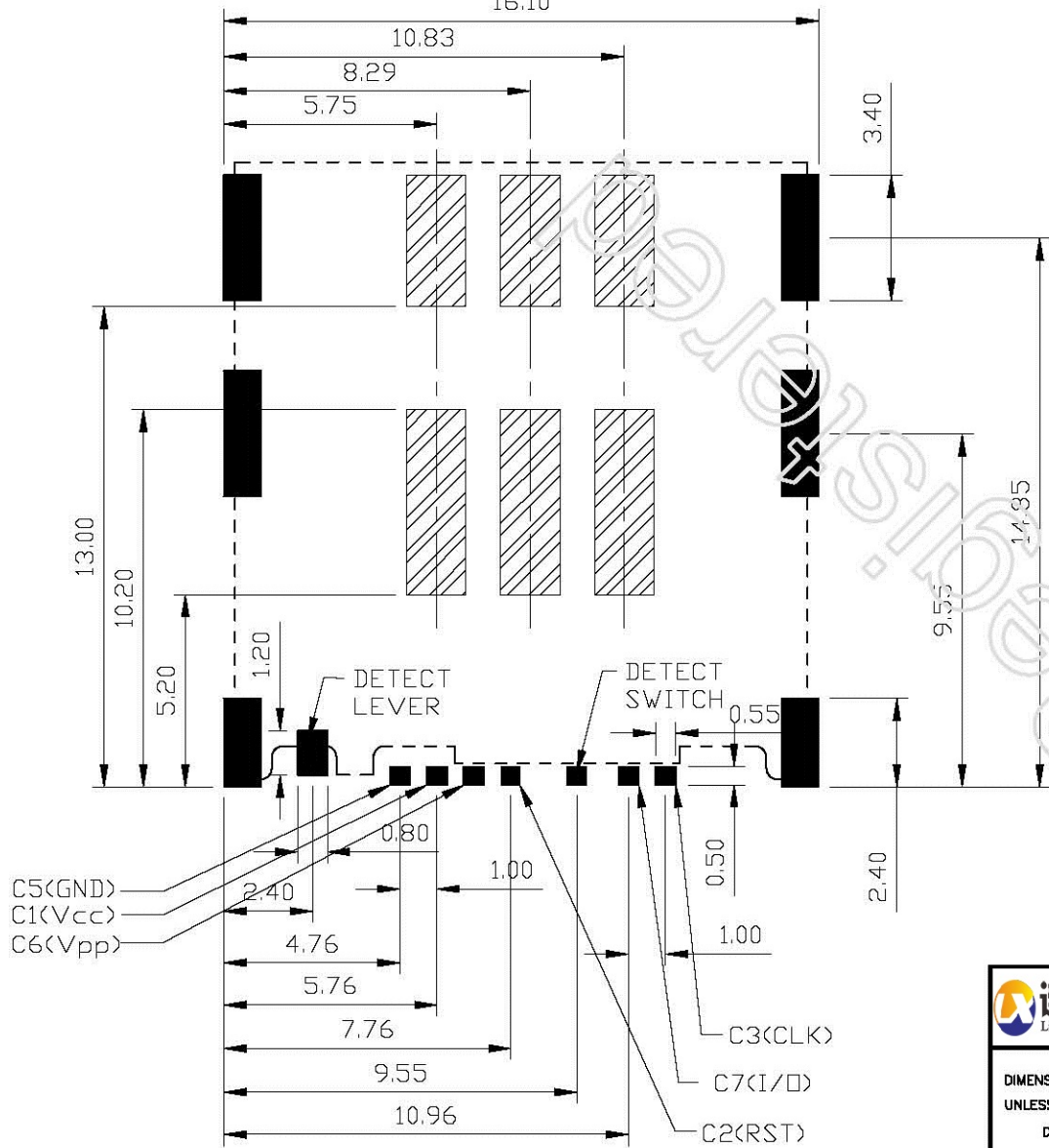
深圳市连欣科技有限公司

|  |                |                         |           |      |         |            |       |   |       |
|--|----------------|-------------------------|-----------|------|---------|------------|-------|---|-------|
| DIMENSIONS INT: mm<br>UNLESS OTHERWISE SPECIFIABLE<br>DIMENSION TOLERANCE<br>X.X: ± 0.38<br>X.XX: ± 0.25<br>X.XXX: ± 0.10<br>ANGULAR: ± 1° | PRODUCT NAME : | Micro-sim 1.42H 防呆型PUSH | DRAWING:  | COCO | DATE:   | 2016/05/10 |       |   |       |
|  | PRODUCT NO. :  | XDSM-0638-0271          | CHECK:    | AG   | DATE:   | 2016/05/11 |       |   |       |
|  | DRAWING NO. :  | 0271AAAG06A             | APPROVED: | JEFF | DATE:   | 2016/05/11 |       |   |       |
|  |                |                         | SCALE:    | NA   | DWG ID: | P D        | REV.: | A | PAGE: |


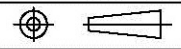
| REVISION NO. | ECR NO. | DESCRIPTION | MARK | DATE |
|--------------|---------|-------------|------|------|
| 1            |         |             |      |      |
| 2            |         |             |      |      |

由 Autodesk 教育版产品制作

 PCB 线路禁止区域  
 PCB AREA  
**RECOMMENDED PCB LAYOUT**  
 GENERAL TOLERANCE  $\pm 0.05$   
 16.10



| REVISION NO. | ECR NO. | DESCRIPTION | MARK | DATE |
|--------------|---------|-------------|------|------|
| 1            |         |             |      |      |
| 2            |         |             |      |      |

|   |   |   |                   |                     |                 |
|---|---|---|-------------------|---------------------|-----------------|
|  连欣科技<br>Lian Xin Technology | <b>深圳市连欣科技有限公司</b>  |   |                   |                     |                 |
|   | DIMENSIONS INIT: mm<br>UNLESS OTHERWISE SPECIFIABLE   | PRODUCT NAME :<br>Micro-sim 1.42H 防呆型PUSH | DRAWING:<br>COCO  | DATE:<br>2016/05/10 |                 |
|   | DIMENSION TOLERANCE<br>X.X: $\pm 0.38$<br>X.XX: $\pm 0.25$<br>X.XXX: $\pm 0.10$<br>ANGULAR: $\pm 1^\circ$ | PRODUCT NO. :<br>XDSM-0638-0271           | CHECK:<br>AG      | DATE:<br>2016/05/11 |                 |
|   |   | DRAWING NO. :<br>0271AAAG06A              | APPROVED:<br>JEFF | DATE:<br>2016/05/11 |                 |
|   |                      | SCALE:<br>NA                              | DWG ID:<br>P D    | REV.:<br>A          | PAGE:<br>1 OF 2 |

## X-ON Electronics

Largest Supplier of Electrical and Electronic Components

*Click to view similar products for [Memory Card Connectors](#) category:*

*Click to view products by [Lian Xin](#) manufacturer:*

Other Similar products are found below :

[6407-249V-25273P](#) [6407-249V-25343P](#) [6426-201-21343](#) [69.920.0553.0](#) [MCR60A-98D-2.54DSA\(70\)](#) [809180410000000](#) [DM3AT-SF-PEJM5\(41\)](#) [IC11S-BUR-PNEJL\(71\)](#) [C70210M0083692](#) [2041353-2](#) [308-DS1P0811-192](#) [HM2P09PDR360N9LF](#) [10014744-011TLF](#) [11327-001](#) [11327-002](#) [NX1-32T-KT3K\(05\)](#) [95622-003LF](#) [84648-056HLF](#) [CCM03-3109 B LFT](#) [MS3116J10-6PW](#) [2309923-1](#) [61126-050CAHLF](#) [GTFP08432B1HR](#) [G85D1160022HHR](#) [SCE2MSDZN76A121SN](#) [10014744-011ALF](#) [10014744-011LF](#) [10057542-1211FLF](#) [10067972-000LF](#) [10067972-050LF](#) [10122302-20110LF](#) [G85D1162022HHR](#) [TF-05A](#) [M6014-12](#) [XKNANO-1412](#) [SMN-304-ARP6](#) [MIS11-S1F1-2000-A](#) [SMN-308-ARSP7](#) [MCS-302S-KT1B](#) [SMN-308-ACSP7](#) [K-DYX-008](#) [K-DYX-004](#) [C7024-03](#) [SMO-1030](#) [MCS-110-KT](#) [SIM-217](#) [SNO-1355-KT](#) [SMO-1025-P10](#) [SIM-211S-P6](#) [SNO-1440](#)