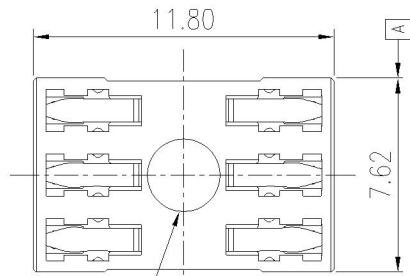
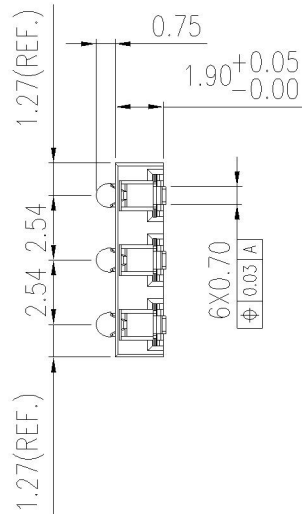
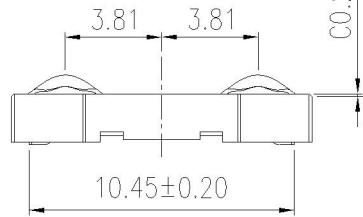


RoHS

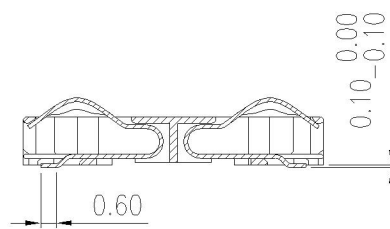
REV.	EC#	DESCRIPTION	DATE	DRAWING	CHECKED	APPROVED
A0		NEW RELEASE	08/24'17	HFL	LHY	LHY



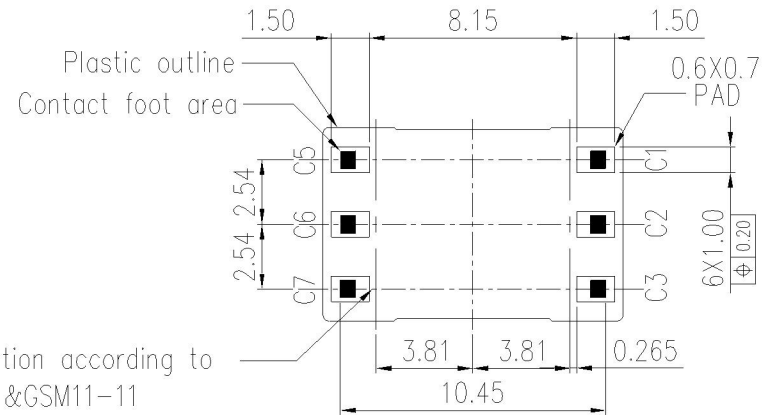
Pick And Place Area



Contact location according to ISO 7816-2 & GSM11-11



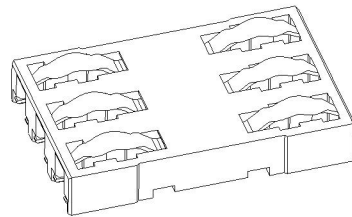
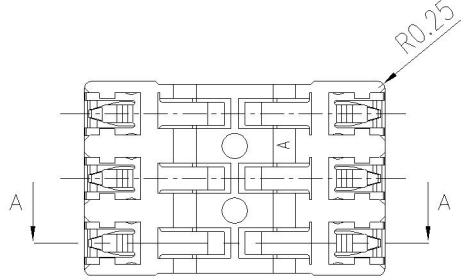
SECTION A-A



Reference P.C.B. Layout(Tolerance: ±0.10mm)

SPECIFICATION

- Material & Finish:
Insulation: Thermoplastic UL94 V-0
Contact: Copper Alloy, Cold Plated 3u" Over Nickel
Tin Plated On Tails
- Electrical Characteristics
Switching Current: 10uA min./1A max.
Contact Resistance: 100 Milliohms Max.
Insulation Resistance: 1000 Megohms Min.
Dielectric strength: 500 Vrms min.
- Mechanical Characteristics
Mechanical life : 20,000 Mating Cycles Min.
Contact Force: 0.25N min./0.5N max.
(At Contact Travel=0.45mm)
- Environmental Characteristics
Operating Temperature: -40°C to +85°C
Resistance to soldering Heat:
IR Re-Flow : 260 °C 10 Sec. Max
EIA-364-56A
Humidity: 96 Hours ,EIA-364-31B.
Salt Spray : 24 Hours, EIA-364-26B.
- Rohs Compliant



MILLIMETERS	INCH	UNITS	MM
X° ± 2°	X° ± 2°	MAT'L	
.X ± 0.30	.XX ± 0.012	SEE NOTES	
.XX ± 0.20	.XXX ± 0.008	FINISH	
.XXX ± 0.10	.XXXX ± 0.004	SEE NOTES	
THESE DRAWINGS AND SPECIFICATIONS ARE THE PROPERTY OF Dong Guan Jin Bi Lai Electronic Co.,Ltd. COPIED OR USED IN ANY MANNER WITHOUT THE PRIOR WRITTEN CONSENT OF Dong Guan Jin Bi Lai Electronic Co.,Ltd			
QTY	SEE NOTES	CHKD:	
		DR:	

深圳市连欣科技有限公司

PART NUMBER:
XDSM-1020-3012

TITLE:
SIM 6PIN Block 客户图

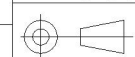
APPD:

DWG NO.:
LXSIM-102030012-00

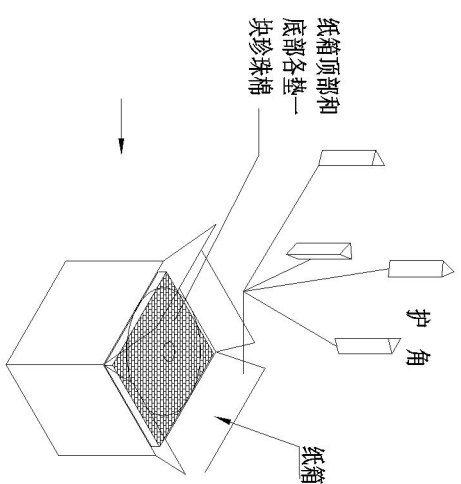
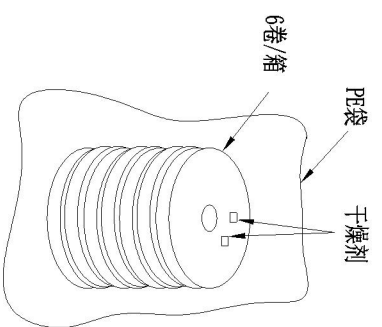
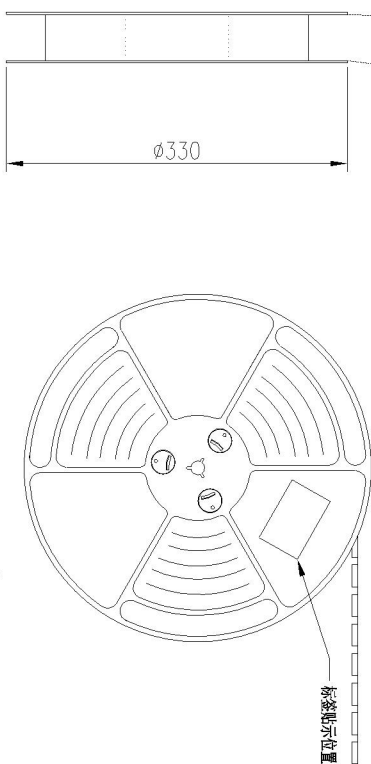
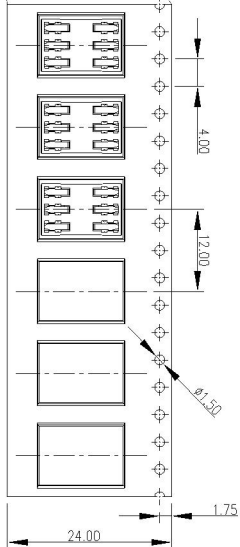
CHKD:

SCALE	SHEET	REV.
1:1	1/2	A0

DR:

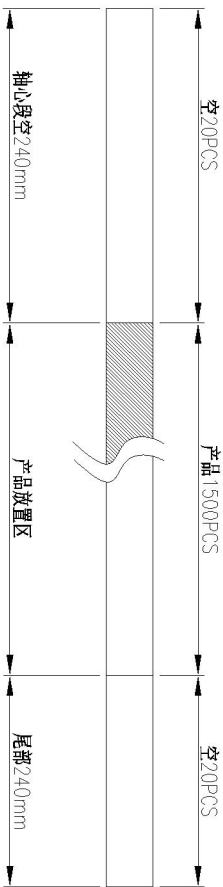


ROHS

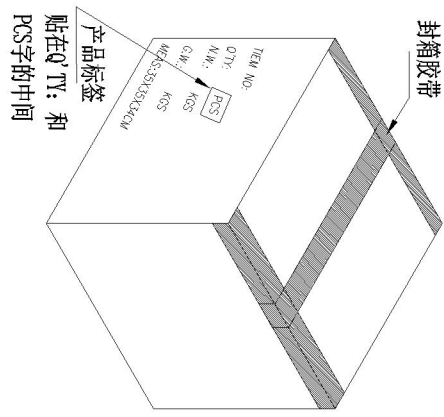


NOTES

1. 每卷包装数量: 1500PCS/每卷
2. 卷带包装方式:



3. 每箱包装数量: 9000PCS/箱



MILLIMETERS	INCH	UNITS	MM
X' ± Z'	X' ± Z'	MAT'L	
X ± 0.30	XX ± 0.012	SEE NOTES	
XX ± 0.20	XXX ± 0.008	FINISH	
XXX ± 0.10	XXXX ± 0.004	SEE NOTES	

深圳市连欣科技有限公司

PART NUMBER: XDSM-1020-3012

TITLE: Sim 6Pin Block 客户图

APPD: XDSM-1020-3012

CHKD: _____

DWG NO.: LXSIM-102030012-00

SCALE: 1:1

SHEET: 2/2

REV: A0

X-ON Electronics

Largest Supplier of Electrical and Electronic Components

Click to view similar products for [Coin Cell Battery Holders](#) category:

Click to view products by [Lian Xin](#) manufacturer:

Other Similar products are found below :

[PDSN-11-D](#) [799-2007](#) [BH44AAB](#) [BH48DL](#) [BH8000](#) [MY-2430-01-R](#) [BS-16-B4AA006-R](#) [KH-CR1220-2](#) [BH-18650-A1AJ006](#) [BS-02-A1BK007](#) [BH-18650-A1AJ005](#) [BS-12-B3AA009-R](#) [BS-02-A1AK010-X](#) [BS-02-A1AJ010](#) [BS-03-A1AJ001](#) [MY-FJ-131-J-R](#) [MY-FJ-04-J-R](#) [BS-08-B2AA025](#) [BS-24-A1AJ017](#) [BH-18650-A5BJ001-2D](#) [BS-12-A1AJ002-Z](#) [BS-08-B2AA032](#) [MY-2032-04-R](#) [BS-12-B3AA011-R](#) [BS-621-B4AA001-R](#) [MY-ZJ-110](#) [MY-FJ-127-R](#) [BS-06-B4AA002-R](#) [MY-1220-04](#) [BH-AAA-A1AJ001](#) [BS-12-B3AA003-T](#) [MY-FJ-115II-R](#) [BS-06-B4AK001-R](#) [BH-18650-B1BA007](#) [MY-FJ-115II](#) [BH-AAA-B5AA001](#) [BE-13-017](#) [MY-2477-01](#) [BS-12-B3AA013](#) [BC-25-5PD-300](#) [BS-08-B2AA016-R](#) [MY-AAA-22-J](#) [MY-AA-14-J](#) [MY-AAA-24-J](#) [MY-2032-28](#) [BS-06-A4BK016](#) [MY-FJ-01](#) [MY-1025-01](#) [MY-AA-5355-J](#) [BS-05-A1BJ018](#)