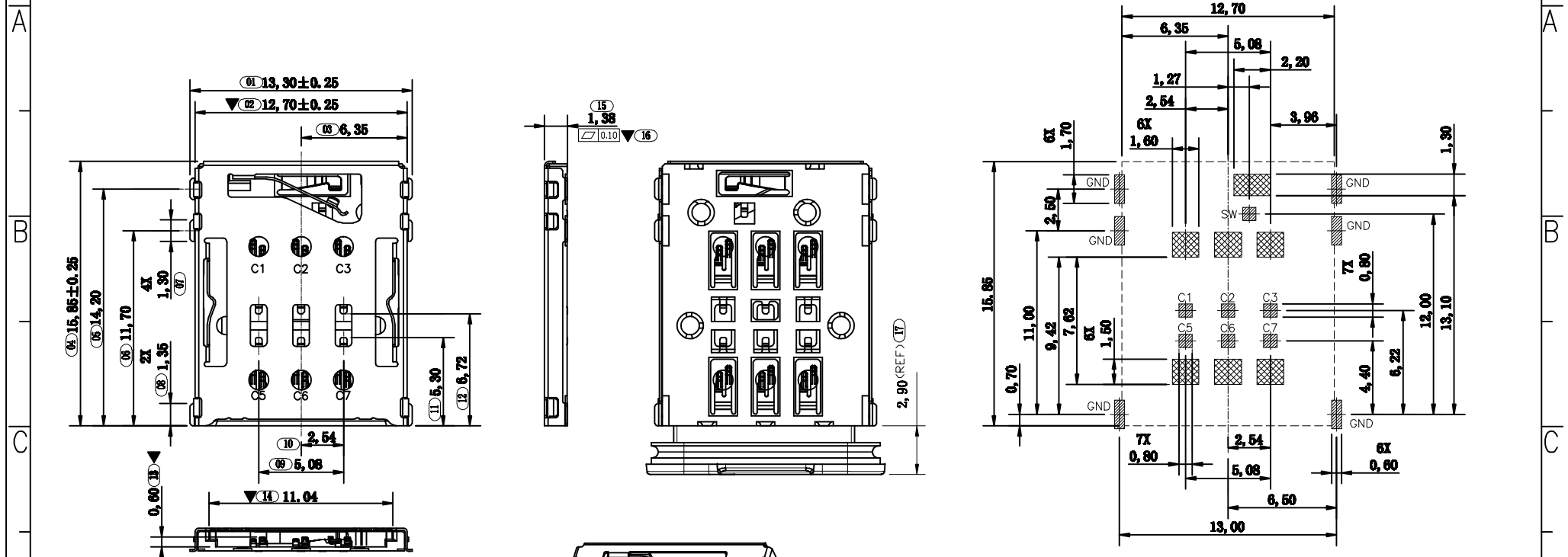
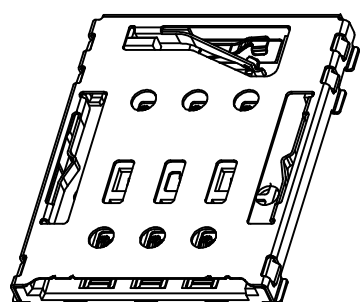


RoHS

| REV. | EC# | DESCRIPTION | DATE | DRAWING | CHECKED | APPROVED |
|------|-----|-------------|------------|---------|---------|----------|
| AO | | NEW RELEASE | 2020.09.22 | MO | TEDDY | SUNNLY |



TECHNICAL CHARACTERISTICS
 1.General Characteristics
 Dimensions:12.85LX17.20WX1.38H mm
 TRAY MATING FORCE:2~10N
 TRAY UNMATING FORCE:4~10N
 Durability:1,500 cycles min.
 2.Electrical Characteristics
 Contact resistance:50mΩ typical,
 100mΩ Max
 Insulation resistance:>1000M/500V DC
 3.Solderability
 Vaporphase:215°C, 30sec.Max
 IR reflow:260°C,5sec.Max
 Manual soldering:370°C,3sec.Max
 4.Environmental Characteristics
 Operating temperature:-40°C~+85°C
 Operating humidity:10%~+95%RH



RECOMMENDED P.C.B LAYOUT
 COMPONENT SIDE(TOLERANCE ±0.05)
 ▨ PAD AREA
 □ KEEP AREA
 ▩ NO PATTERN AND VIA HOLE IN THIS AREA

| ITEM | PART NAME | Q'TY | MATERIAL | FINISH |
|------|-----------|------|-----------------------|--------------------------|
| 1 | HOUSING | 1 | Hi-temp Thermoplastic | Black UL94V-0 |
| 2 | CONTACT | 1 | Copper Alloy | Contact area:Gold plated |
| 3 | SHELL | 1 | Stainless Steel | Solder area:Gold plated |

| MILLIMETERS | INCH | UNITS |
|-------------|---------------|-----------|
| X° ± 2° | X° ± 2° | MM |
| .X ± 0.38 | .XX ± 0.012 | MAT'L |
| .XX ± 0.25 | .XXX ± 0.008 | SEE NOTES |
| .XXX ± 0.15 | .XXXX ± 0.004 | FINISH |
| | | SEE NOTES |
| | | QTY |
| | | SEE NOTES |

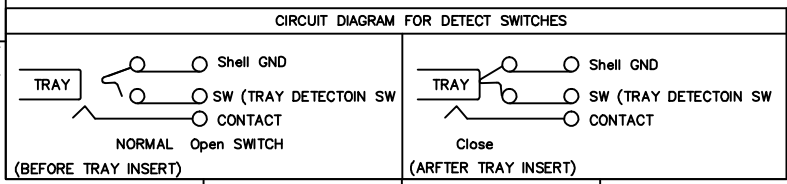
深圳市连欣科技有限公司

DWG NO.: LXSM-102314332-00
 TITLE: **NANO SIM 1.38E Pin_Push 插拉式卡托款**

APPD: _____
 PART NUMBER: XDSM-1023-4332

CHKD: _____
 DR: _____

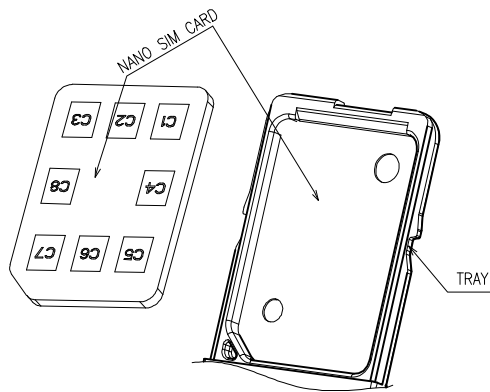
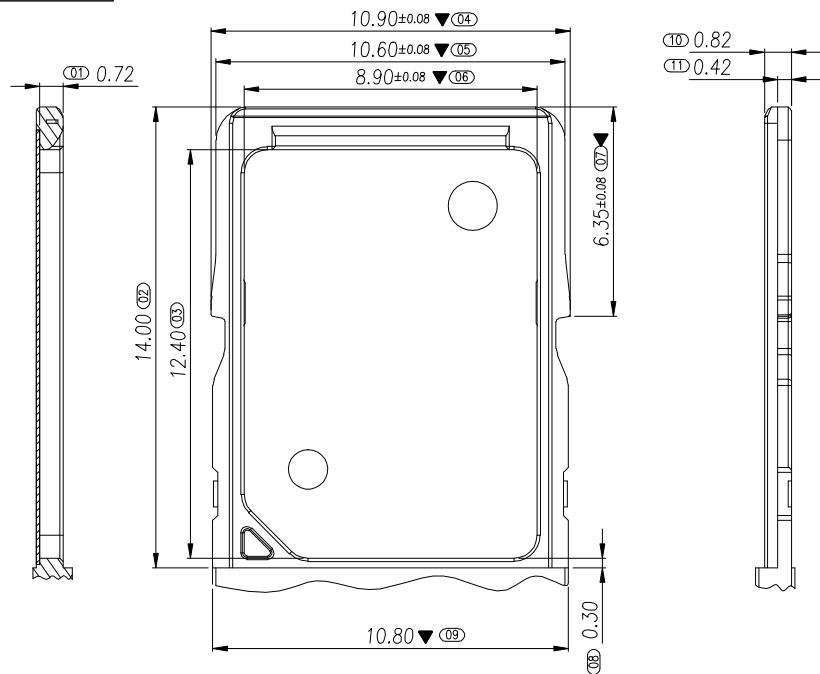
| | | |
|-------|-------|------|
| SCALE | SHEET | REV. |
| 1:1 | 1/2 | AO |



THESE DRAWINGS AND SPECIFICATIONS ARE THE PROPERTY OF DongGuan JinBeiLai Metal Plastic Technology Co.,Ltd. COPIED OR USED IN ANY MANNER WITHOUT THE PRIOR WRITTEN CONSENT OF DongGuan JinBeiLai Metal Plastic Technology Co.,Ltd.

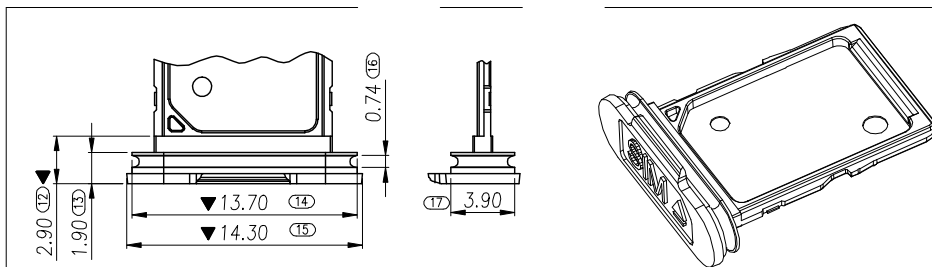
RoHS

| REV. | EC# | DESCRIPTION | DATE | DRAWING | CHECKED | APPROVED |
|------|-----|-------------|----------|---------|---------|----------|
| AO | | NEW RELEASE | 09/24'20 | WZX | / | SUNNLY |

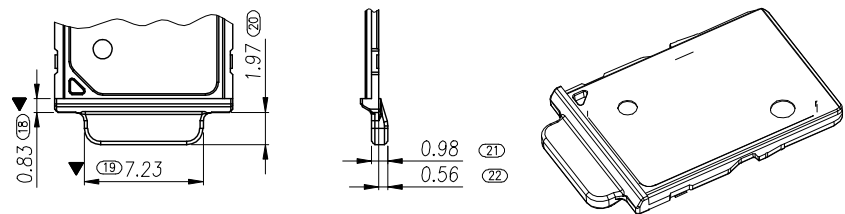


卡片放置方向

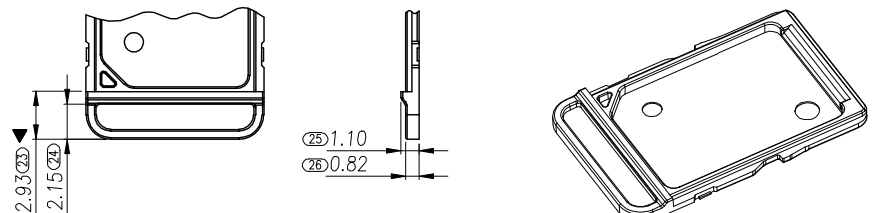
TABLE:



防水卡托 PART NO.: XDSMT-1023-4332-FS



普通卡托 PART NO.: XDSMT-1023-4332-TY

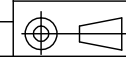


普通卡托 PART NO.: XDSMT-1023-4332-PZ

| ITEM | PART NAME | Q'TY | MATERIAL | FINISH |
|------|-----------|------|-----------------|---------------|
| 1 | HOUSING | 1 | Polycarbonate | Black UL94V-0 |
| 2 | SHELL | 1 | Stainless Steel | PLATING:Rinse |

THESE DRAWINGS AND SPECIFICATIONS ARE THE PROPERTY OF DongGuan JinBLai Metal Plastic Technology Co.,Ltd. COPIED OR USED IN ANY MANNER WITHOUT THE PRIOR WRITTEN CONSENT OF DongGuan JinBLai Metal Plastic Technology Co.,Ltd

| | | | | | | | |
|-------------|--|---------------|--|-----------|------------------------|--|--|
| MILLIMETERS | | INCH | | UNITS | MM | <h2 style="text-align: center;">深圳市连欣科技有限公司</h2> | |
| X.° ± 2' | | X.° ± 2' | | MAT'L | | | |
| .X ± 0.30 | | .XX ± 0.012 | | SEE NOTES | DWG NO.: | TITLE: | |
| .XX ± 0.20 | | .XXX ± 0.008 | | FINISH | LXSMKT-102314332-KT-00 | SIM NANO 1.38H 配套卡托客户图 | |
| .XXX ± 0.15 | | .XXXX ± 0.004 | | SEE NOTES | APPD: | PART NUMBER: | |
| | | | | QTY | CHKD: | XDSMT-1023-4332-FS/TY/PZ | |
| | | | | SEE NOTES | DR: | SCALE SHEET REV. | |
| | | | | | | 1:1 1/1 AO | |



X-ON Electronics

Largest Supplier of Electrical and Electronic Components

Click to view similar products for [Memory Card Connectors](#) category:

Click to view products by [Lian Xin](#) manufacturer:

Other Similar products are found below :

[6407-249V-25273P](#) [6407-249V-25343P](#) [6426-201-21343](#) [69.920.0553.0](#) [MCR60A-98D-2.54DSA\(70\)](#) [809180410000000](#) [DM3AT-SF-PEJM5\(41\)](#) [IC11S-BUR-PNEJL\(71\)](#) [C70210M0083692](#) [2041353-2](#) [308-DS1P0811-192](#) [HM2P09PDR360N9LF](#) [10014744-011TLF](#) [11327-001](#) [11327-002](#) [NX1-32T-KT3K\(05\)](#) [95622-003LF](#) [84648-056HLF](#) [CCM03-3109 B LFT](#) [MS3116J10-6PW](#) [2309923-1](#) [61126-050CAHLF](#) [GTFP08432B1HR](#) [G85D1160022HHR](#) [SCE2MSDZN76A121SN](#) [10014744-011ALF](#) [10014744-011LF](#) [10057542-1211FLF](#) [10067972-000LF](#) [10067972-050LF](#) [10122302-20110LF](#) [G85D1162022HHR](#) [TF-05A](#) [M6014-12](#) [XKNANO-1412](#) [SMN-304-ARP6](#) [MIS11-S1F1-2000-A](#) [SMN-308-ARSP7](#) [MCS-302S-KT1B](#) [SMN-308-ACSP7](#) [K-DYX-008](#) [K-DYX-004](#) [C7024-03](#) [SMO-1030](#) [MCS-110-KT](#) [SIM-217](#) [SNO-1355-KT](#) [SMO-1025-P10](#) [SIM-211S-P6](#) [SNO-1440](#)