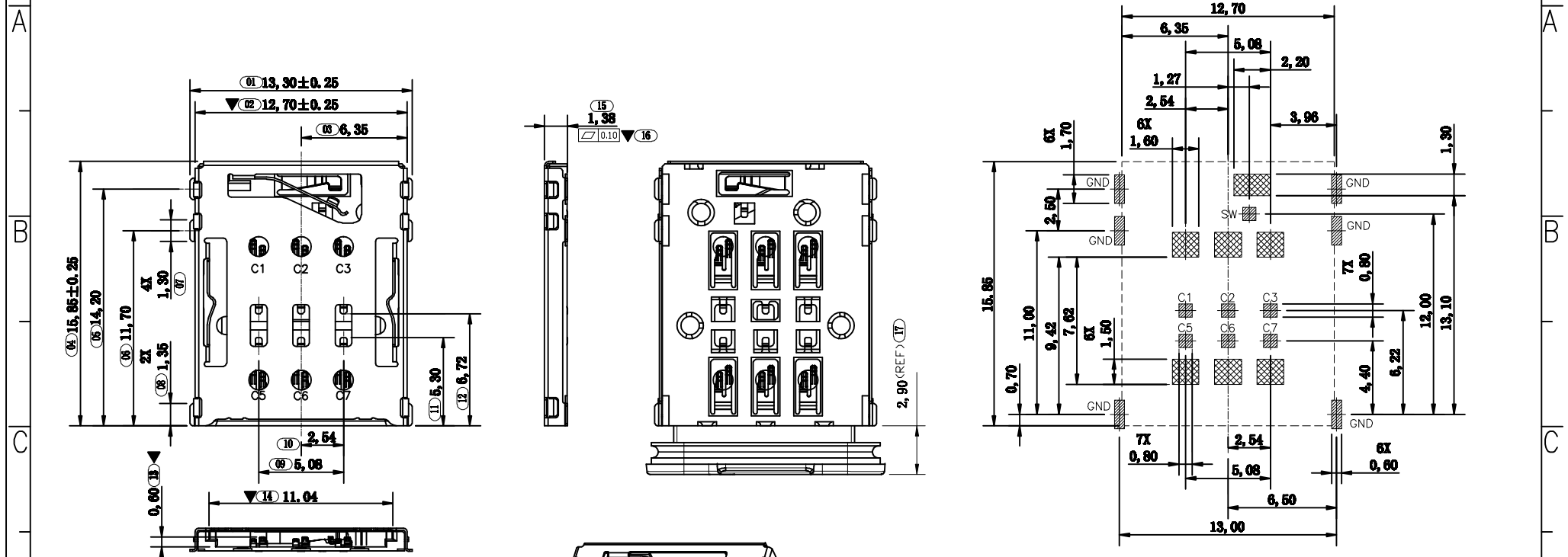
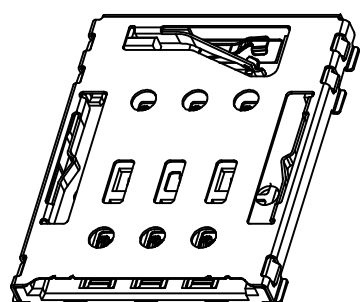


RoHS

REV.	EC#	DESCRIPTION	DATE	DRAWING	CHECKED	APPROVED
AO		NEW RELEASE	2020.09.22	MO	TEDDY	SUNNLY



**TECHNICAL CHARACTERISTICS**  
 1.General Characteristics  
 Dimensions:12.85LX17.20WX1.38H mm  
 TRAY MATING FORCE:2~10N  
 TRAY UNMATING FORCE:4~10N  
 Durability:1,500 cycles min.  
 2.Electrical Characteristics  
 Contact resistance:50mΩ typical,  
 100mΩ Max  
 Insulation resistance:>1000M/500V DC  
 3.Solderability  
 Vaporphase:215°C, 30sec.Max  
 IR reflow:260°C,5sec.Max  
 Manual soldering:370°C,3sec.Max  
 4.Environmental Characteristics  
 Operating temperature:-40°C~+85°C  
 Operating humidity:10%~95%RH



**RECOMMENDED P.C.B LAYOUT**  
 COMPONENT SIDE(TOLERANCE ±0.05)  

 PAD AREA  
 KEEP AREA  
 NO PATTERN AND VIA HOLE IN THIS AREA

ITEM	PART NAME	Q'TY	MATERIAL	FINISH
1	HOUSING	1	Hi-temp Thermoplastic	Black UL94V-0
2	CONTACT	1	Copper Alloy	Contact area:Gold plated
3	SHELL	1	Stainless Steel	Solder area:Gold plated

MILLIMETERS	INCH	UNITS
X.° ± 2'	X.° ± 2'	MM
.X ± 0.38	.XX ± 0.012	MAT'L
.XX ± 0.25	.XXX ± 0.008	SEE NOTES
.XXX ± 0.15	.XXXX ± 0.004	FINISH
		SEE NOTES
		QTY
		SEE NOTES

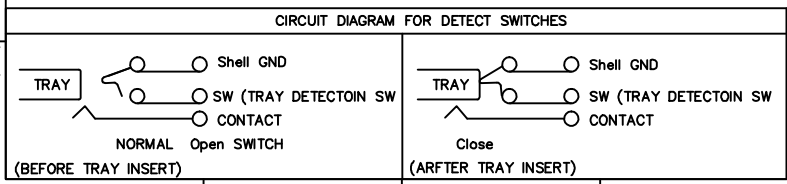
**深圳市连欣科技有限公司**

DWG NO.: LXSM-102314332-00  
 TITLE: **NANO SIM 1.38E Pin Push 插拉式卡托款**

APPD: \_\_\_\_\_  
 PART NUMBER: XDSM-1023-4332

CHKD: \_\_\_\_\_  
 DR: \_\_\_\_\_

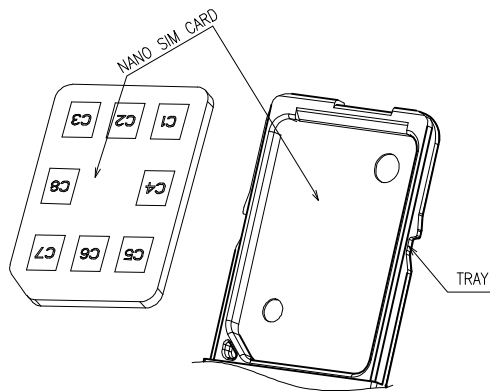
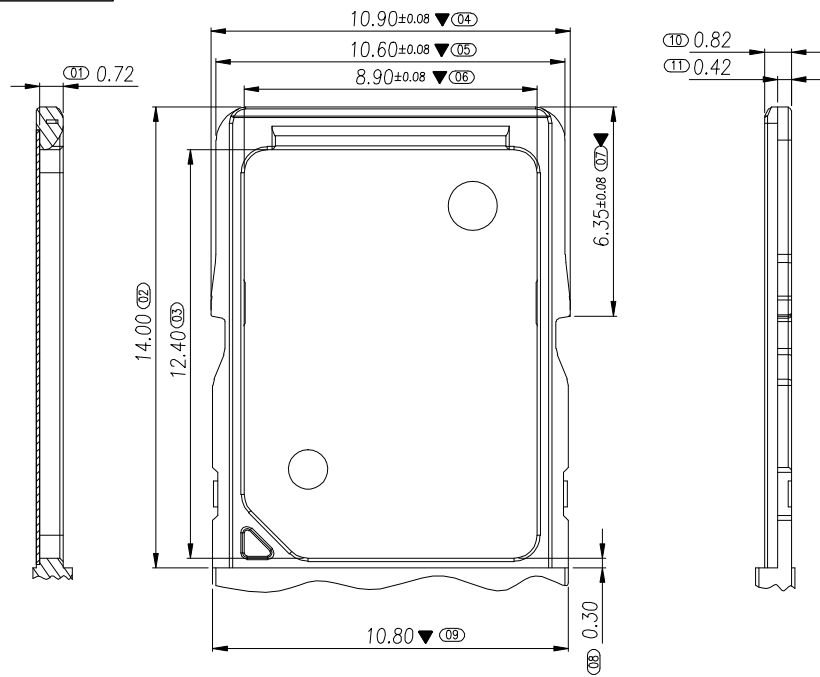
SCALE	SHEET	REV.
1:1	1/2	AO



THESE DRAWINGS AND SPECIFICATIONS ARE THE PROPERTY OF DongGuan JinBeiLai Metal Plastic Technology Co.,Ltd. COPIED OR USED IN ANY MANNER WITHOUT THE PRIOR WRITTEN CONSENT OF DongGuan JinBeiLai Metal Plastic Technology Co.,Ltd.

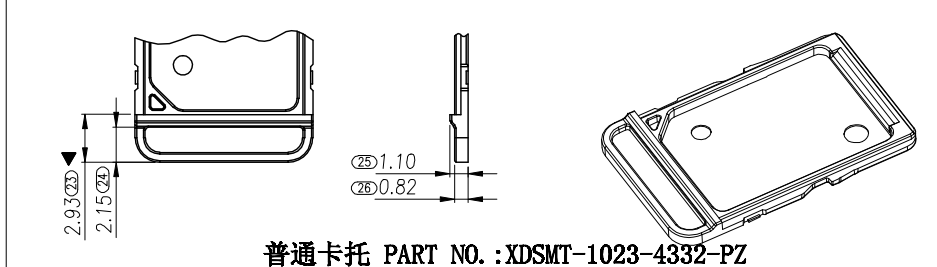
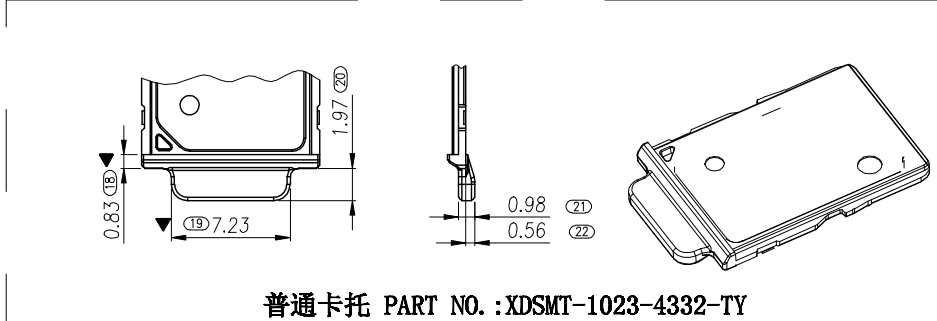
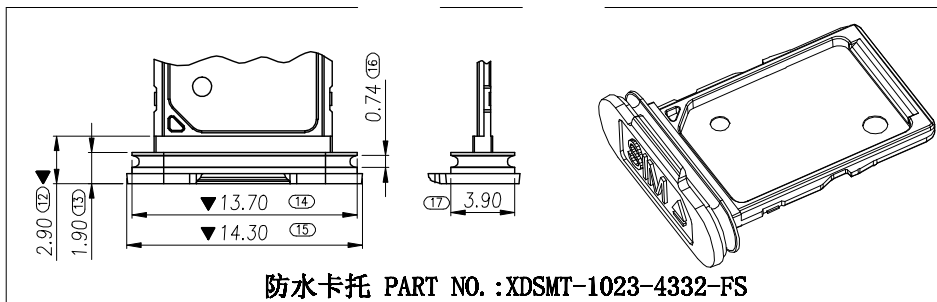
RoHS

REV.	EC#	DESCRIPTION	DATE	DRAWING	CHECKED	APPROVED
AO		NEW RELEASE	09/24'20	WZX	/	SUNNLY



卡片放置方向

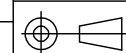
TABLE:



ITEM	PART NAME	Q'TY	MATERIAL	FINISH
1	HOUSING	1	Polycarbonate	Black UL94V-0
2	SHELL	1	Stainless Steel	PLATING:Rinse

THESE DRAWINGS AND SPECIFICATIONS ARE THE PROPERTY OF DongGuan JinBLai Metal Plastic Technology Co.,Ltd. COPIED OR USED IN ANY MANNER WITHOUT THE PRIOR WRITTEN CONSENT OF DongGuan JinBLai Metal Plastic Technology Co.,Ltd

MILLIMETERS	INCH	UNITS	<b>深圳市连欣科技有限公司</b>		
.X ± 2'	X. ± 2'	MM			
.X ± 0.30	.XX ± 0.012	MAT'L	DWG NO.:	TITLE:	
.XX ± 0.20	.XXX ± 0.008	SEE NOTES	LXSMKT-102314332-KT-00	SIM NANO 1.38H 配套卡托客户图	
.XXX ± 0.15	.XXXX ± 0.004	FINISH	APPD:	PART NUMBER:	
		SEE NOTES	CHKD:	XDSMT-1023-4332-FS/TY/PZ	
		QTY	DR:	SCALE SHEET REV.	
		SEE NOTES		1:1 1/1 AO	



## X-ON Electronics

Largest Supplier of Electrical and Electronic Components

*Click to view similar products for [Memory Card Connectors](#) category:*

*Click to view products by [Lian Xin](#) manufacturer:*

Other Similar products are found below :

[6407-249V-25273P](#) [6407-249V-25343P](#) [6426-201-21343](#) [69.920.0553.0](#) [MCR60A-98D-2.54DSA\(70\)](#) [809180410000000](#) [DM3AT-SF-PEJM5\(41\)](#) [IC11S-BUR-PNEJL\(71\)](#) [C70210M0083692](#) [2041353-2](#) [308-DS1P0811-192](#) [HM2P09PDR360N9LF](#) [10014744-011TLF](#) [11327-001](#) [11327-002](#) [NX1-32T-KT3K\(05\)](#) [95622-003LF](#) [84648-056HLF](#) [CCM03-3109 B LFT](#) [MS3116J10-6PW](#) [2309923-1](#) [61126-050CAHLF](#) [GTFP08432B1HR](#) [G85D1160022HHR](#) [SCE2MSDZN76A121SN](#) [10014744-011ALF](#) [10014744-011LF](#) [10057542-1211FLF](#) [10067972-000LF](#) [10067972-050LF](#) [10122302-20110LF](#) [G85D1162022HHR](#) [TF-05A](#) [M6014-12](#) [XKNANO-1412](#) [SMN-304-ARP6](#) [MIS11-S1F1-2000-A](#) [SMN-308-ARSP7](#) [MCS-302S-KT1B](#) [SMN-308-ACSP7](#) [K-DYX-008](#) [K-DYX-004](#) [C7024-03](#) [SMO-1030](#) [MCS-110-KT](#) [SIM-217](#) [SNO-1355-KT](#) [SMO-1025-P10](#) [SIM-211S-P6](#) [SNO-1440](#)