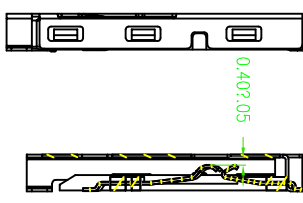
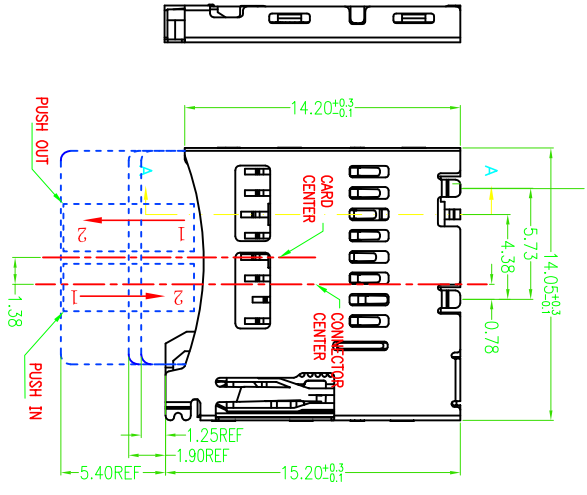
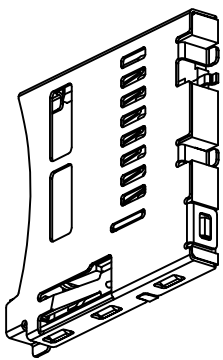
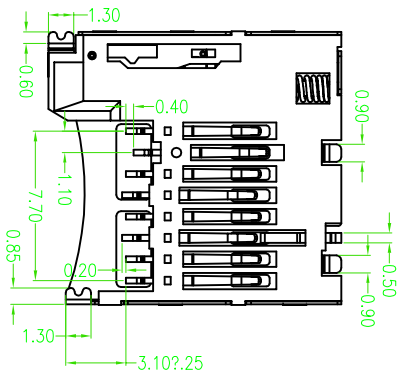


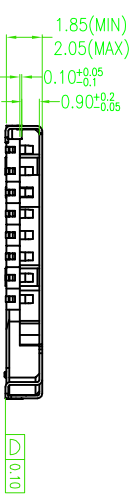
| REV | DESCRIPTION | APPD | DATE |
|-----|-------------|------|------|
|     |             |      |      |



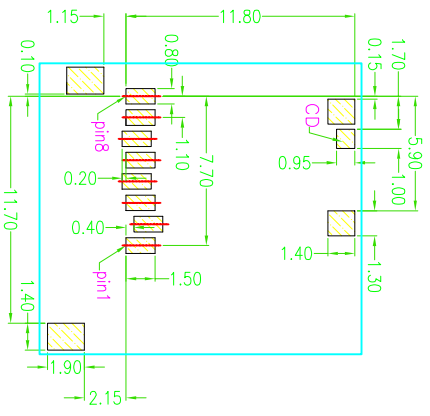
SECTION A-A



- NOTES:
- 1.MATERIAL:  
HOUSING: HIGH TEMPERATURE THERMOPLASTIC  
UJ94V\_0,COLOR:BLACK.
  - 2.PLATING:  
CONTACT: COPPER ALLOYS.  
COVER: COPPER ALLOYS OR STEEL.  
UNDERPLATE: NICKEL.  
CONTACT AREA: GOLD OVER NICKEL.  
SOLDER AREA: TIN OVER NICKEL.
  - 3.MULTIMEDIA CARD COMPATIBLE



| PIN NO. | NAME    | TYPE   | DESCRIPTION                |
|---------|---------|--------|----------------------------|
| 1       | DAT2    | I/O/PP | DATE LINE(BIT2)            |
| 2       | CD/DAT3 | I/O/PP | CARD DETECT DATE LIN(BIT3) |
| 3       | CMD     | PP     | COMMAND RESPONSE           |
| 4       | VDD     | S      | SUPPLY VOLTAGE             |
| 5       | CLX     | I      | CLOCK                      |
| 6       | VSS     | S      | SUPPLY VOLTAGE GROUND      |
| 7       | DAT0    | I/O/PP | DATE LINE(BIT0)            |
| 8       | DAT1    | I/O/PP | DATE LINE(DT1)             |

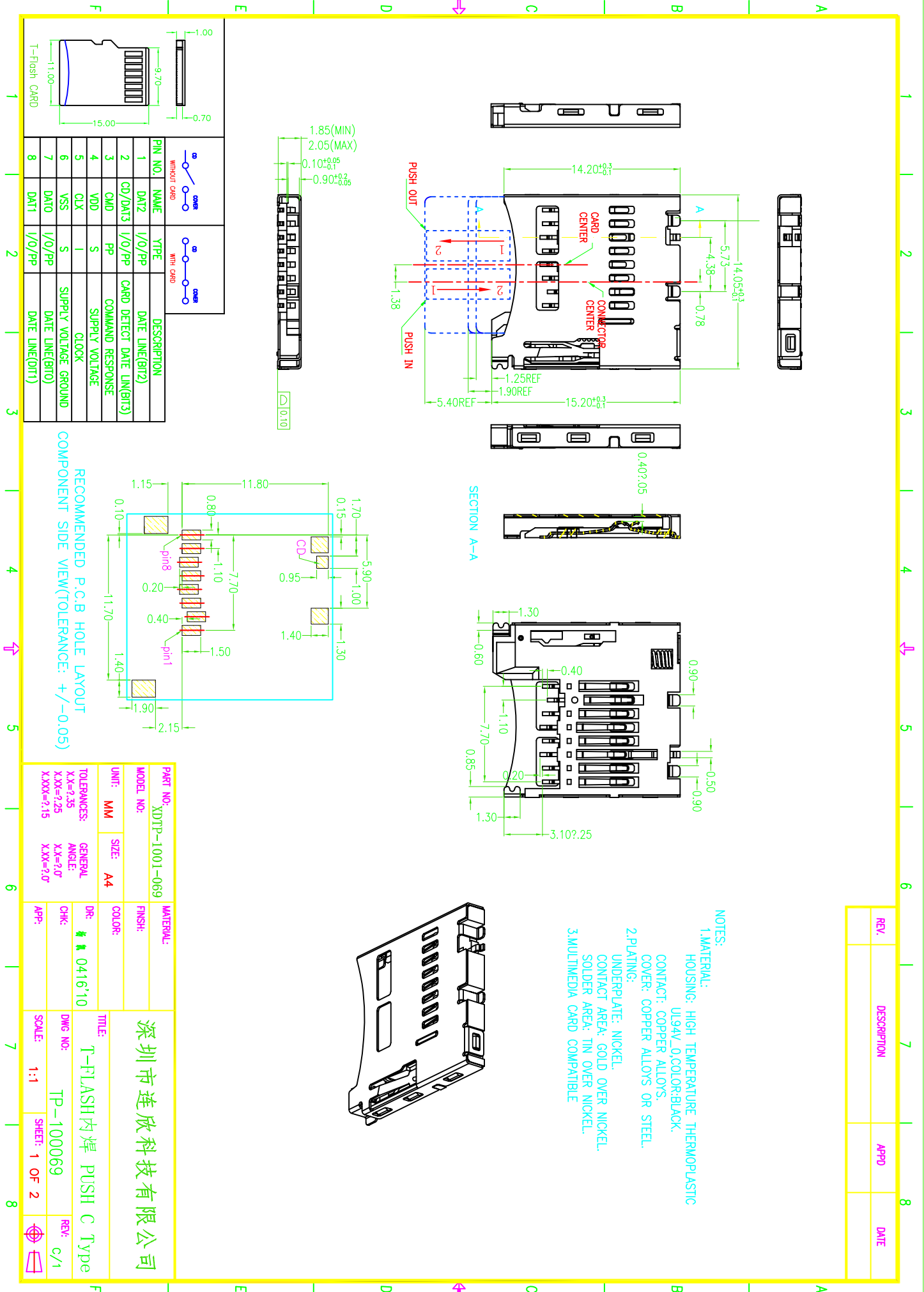


RECOMMENDED P.C.B. HOLE LAYOUT  
COMPONENT SIDE VIEW(TOLERANCE: +/-0.05)

|   |   |
|---|---|
| PART NO. XDTP-1001-069                                | MATERIAL:                               |
| MODEL NO.:  | FINSH:                                  |
| UNIT: MM  | SIZE: A4                                |
| TOLERANCES:<br>X.X=±0.35<br>X.XX=±0.25<br>X.XXX=±0.15 | GENERAL ANGLE:<br>X.X=±0°<br>X.XX=±7.0° |

|               |                              |
|---------------|------------------------------|
| DR: 黄 0416'10 | TITLE: T-FLASH内焊 PUSH C Type |
| CHK:          | DWG NO: TP-100069            |
| APP:          | SCALE: 1:1                   |
|               | SHEET: 1 OF 2                |
|               | REV: c/1                     |

深圳市连欣科技有限公司



## X-ON Electronics

Largest Supplier of Electrical and Electronic Components

*Click to view similar products for [Memory Card Connectors](#) category:*

*Click to view products by [Lian Xin](#) manufacturer:*

Other Similar products are found below :

[6407-249V-25273P](#) [6407-249V-25343P](#) [6426-201-21343](#) [69.920.0553.0](#) [MCR60A-98D-2.54DSA\(70\)](#) [809180410000000](#) [DM3AT-SF-PEJM5\(41\)](#) [IC11S-BUR-PNEJL\(71\)](#) [C70210M0083692](#) [2041353-2](#) [308-DS1P0811-192](#) [HM2P09PDR360N9LF](#) [10014744-011TLF](#) [11327-001](#) [11327-002](#) [NX1-32T-KT3K\(05\)](#) [95622-003LF](#) [84648-056HLF](#) [CCM03-3109 B LFT](#) [MS3116J10-6PW](#) [2309923-1](#) [61126-050CAHLF](#) [GTFP08432B1HR](#) [G85D1160022HHR](#) [SCE2MSDZN76A121SN](#) [10014744-011ALF](#) [10014744-011LF](#) [10057542-1211FLF](#) [10067972-000LF](#) [10067972-050LF](#) [10122302-20110LF](#) [G85D1162022HHR](#) [TF-05A](#) [M6014-12](#) [XKNANO-1412](#) [SMN-304-ARP6](#) [MIS11-S1F1-2000-A](#) [SMN-308-ARSP7](#) [MCS-302S-KT1B](#) [SMN-308-ACSP7](#) [K-DYX-008](#) [K-DYX-004](#) [HYCW126-TF18-150B](#) [C7024-03](#) [SMO-1030](#) [MCS-110-KT](#) [SIM-217](#) [SNO-1355-KT](#) [SMO-1025-P10](#) [SIM-211S-P6](#)