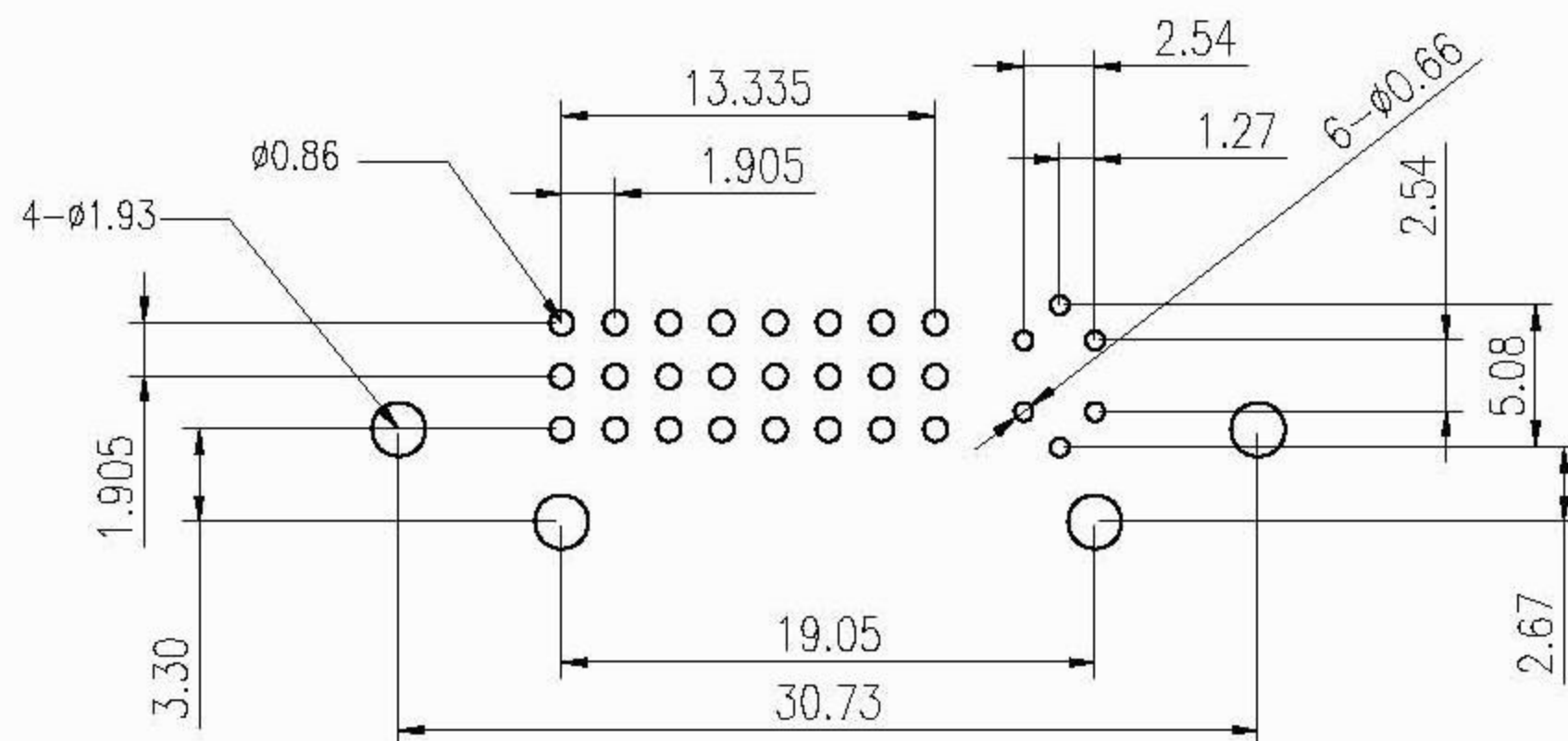
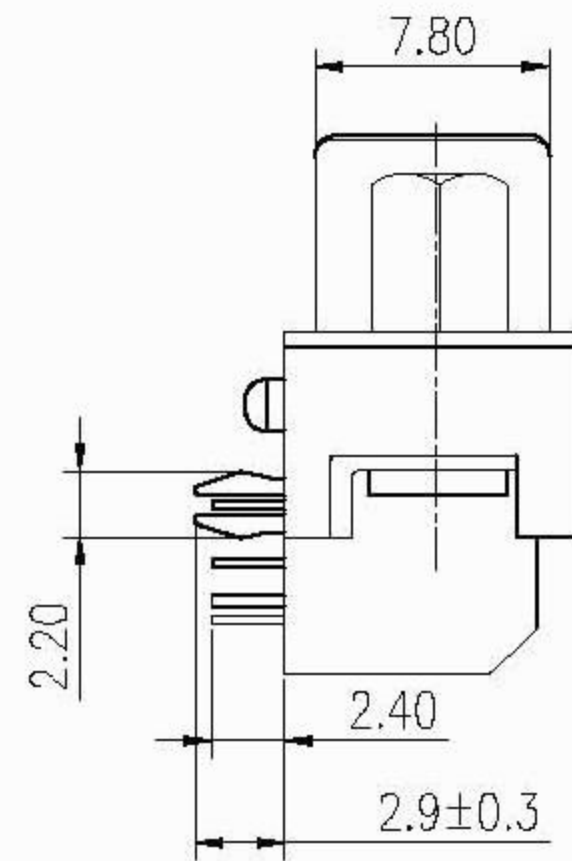
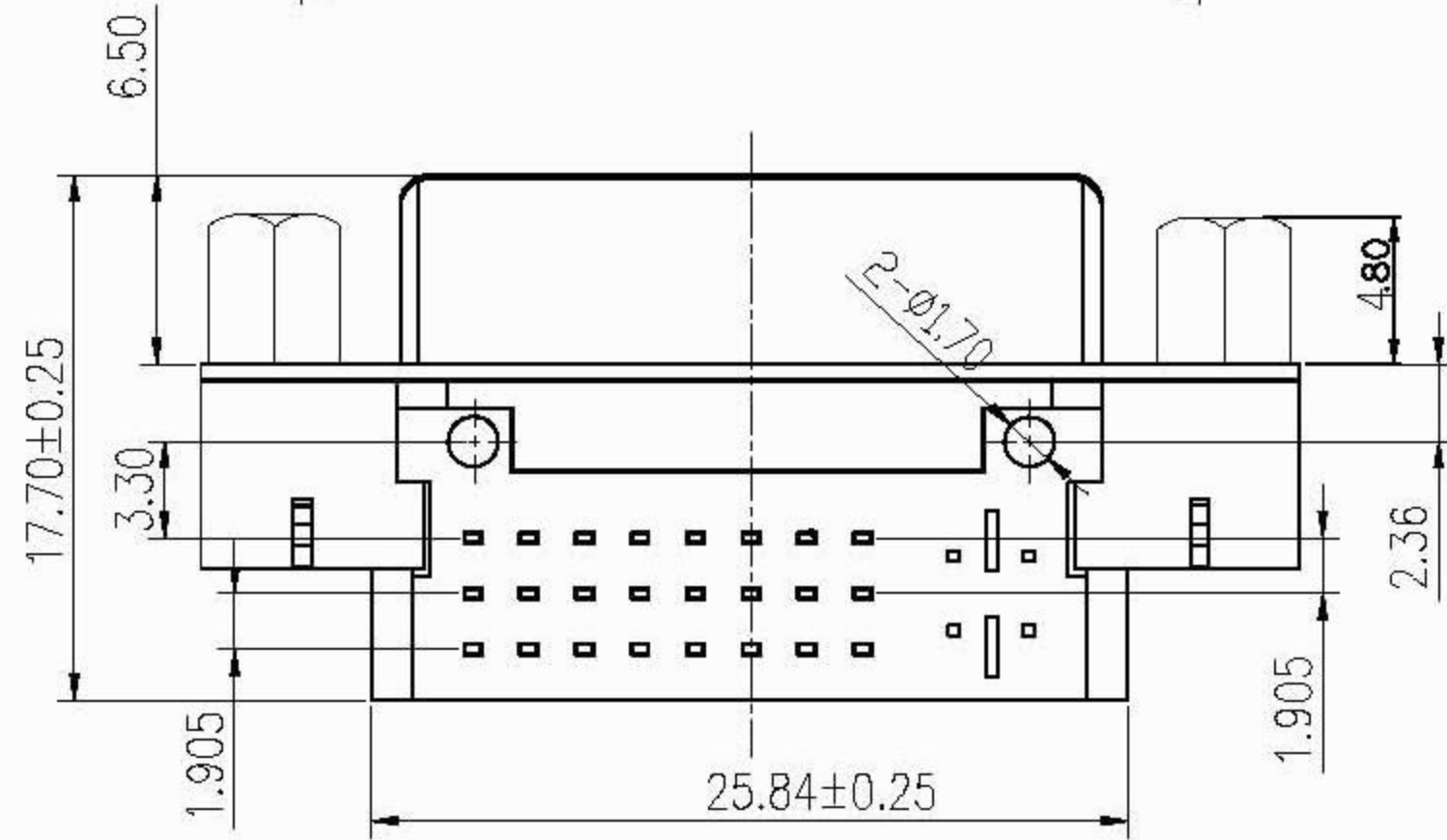
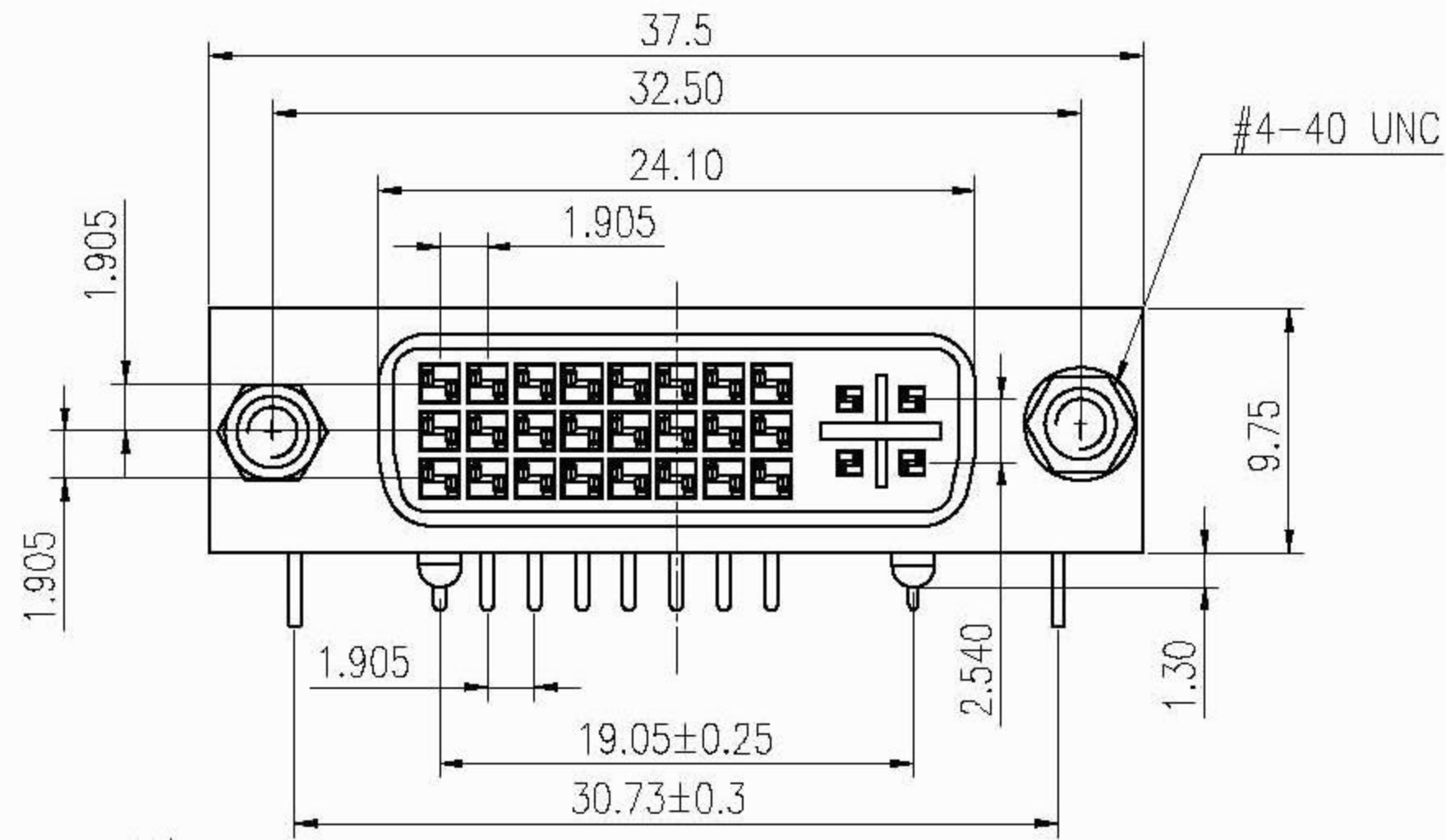


Mark	ECN NO.	DESCRIPTION	DESIGN	Date:



P.C.B LAYOUT(TOP VIEW)

NOTE:

BODY: PBT+30%G.F UL94V-0
 SPACER: PA66+30%G.F UL94V-0
 CONTACTS: COPPER ALLOY
 CONTACT : COPPER ALLOY
 CONTACT : UNDER PLATED NICKEL,
 OVER ALL TIN IN SOLDERING AREA,
 SELECTIVE GOLD PLATED IN CONTACT AREA.

SHIELD : SPCC T=0.5
 SHIELD : NICKEL PLATED.
 UNDER PLATED Cu.
 BOARD LOCK:SPCC ,Tin PLATED.
 RIVET : COPPER ALLOY , NICKEL PLATED.
 SCREW : Fe,NICKEL PLATED.

*MECHANICAL

MATING FORCE: 4.5 KG MAX. 25 MM/MINUTE
 UNMATING FORCE: 1.0-4.0 KG MIN.
 DURABILITY: 100 MATING CYCLES

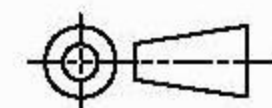
*ELECTRICAL SPECIFICATION

INSULATION RESISTANCE: 1000 MEGOHMS MIN
 DIELECTRIC WITHSTANDING VOLTAGE: 500V ACRMS±50V.60 HZ
 CURRENT RATING: 1.5 AMPERES MIN

*ENVIRONMENTAL

OPERRATING TEMPERATURE: -20°C to 85°C

Tolerance X.X ±0.25 X.XX ±0.15 X.XXX ±0.10 Angle ±2.0'	Model Name: DVI 24+5PIN 锁铆4.8螺母			Drawing: Zengling
	Model No: XDVF-0934-0246			Checked: Lijian
	UNIT: mm	SCALE: FULL	REVISION: A1	SHEET 1/1
	Date: 2011.08.23			Approved: WEI JI YANG
DWG NO.			FILE: C	



深圳市连欣科技有限公司

X-ON Electronics

Largest Supplier of Electrical and Electronic Components

Click to view similar products for [D-Sub Standard Connectors](#) category:

Click to view products by [Lian Xin](#) manufacturer:

Other Similar products are found below :

[015-0339-000](#) [015-0341-000](#) [015-0349-000](#) [015-0350-000](#) [015-8544-011](#) [015-8755-001](#) [017041-0005](#) [020419-0104](#) [609-25P](#) [609-9P](#)
[M24308/2-23Z](#) [CT0-24-10SC](#) [CT0-36-3PC](#) [CT0E20-8PS](#) [CT0F16S-1PS](#) [CT0TA16-11SXCA232](#) [CT1E20-19SS](#) [CT2-10SL-3SC](#) [CT2-14S-](#)
[2PCA34](#) [CT2-18-11PCAU](#) [CT2-22-19SC](#) [CT2-36-5PC](#) [CT6-10SL-3SC](#) [CT6-10SL-4SC](#) [CT6-14S-2SC](#) [CT6-16-12SC](#) [CT6-18-10PSA206](#)
[CT6-18-10PSA232](#) [CT6-18-11PXSA206](#) [CT6-18-11PXSA232](#) [CT6-22-10PS](#) [CT6-24-5PC](#) [CT6-9767-18-8-18-4SS](#) [CT6E14S-5SC](#)
[CT6E14SA7SC](#) [CT6E20-14SS](#) [CT6E22-14PC](#) [CT6E22-14PS](#) [CT6E22-19PS](#) [CT6E22-22PS](#) [CT6E24-10SC](#) [CT6F16S-1SC](#) [CT6FA10SL-4PS](#)
[CT6LA20-19PC](#) [CT6M20-19SS](#) [CT6NSB4-20-8SS](#) [CT6TC14S-6SCAU](#) [CT6TC14S-7PS](#) [6STD15SCT99S40X](#) [6STF09PCM05B70X](#)