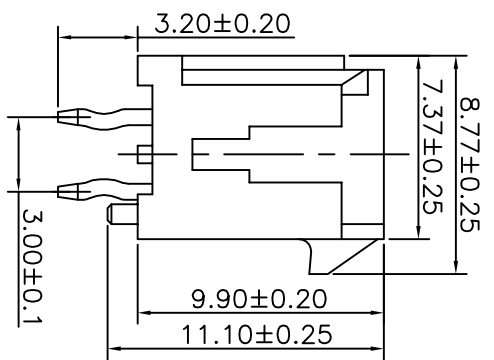
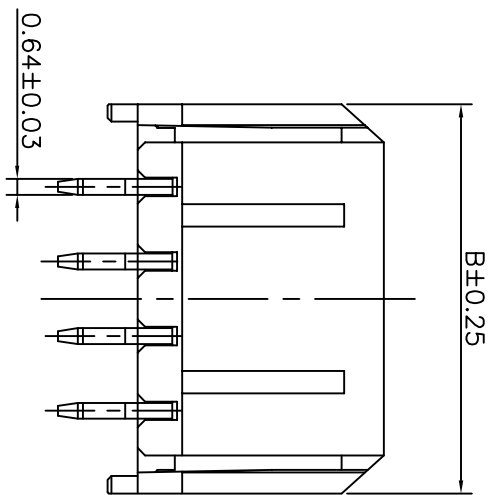
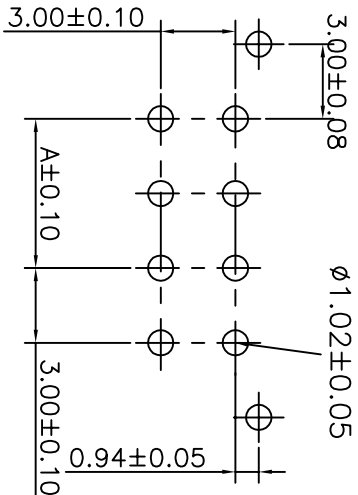
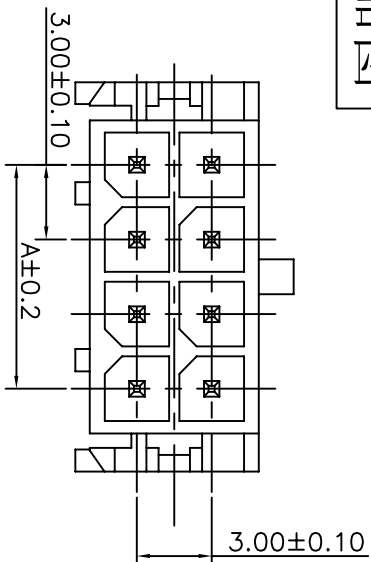


# 成品图



## SPECIFICATIONS

Current Rating: 6A AC,DC  
 Voltage Rating: 250V AC,DC  
 Temperature Range: -40°C ~ +105°C  
 Contact Resistance: 10mΩ Max  
 Insulation Resistance: 1000MΩ Min  
 Withstanding Voltage: 1500V AC/minute  
 Pin Material: Brass/Tin-plated  
 Material: LCP/PBT GF30%,UL94V-0  
 Color: Natural(Black)

## Ordering Information & Dimensions

| PART NO.        | Dimensions |       |
|-----------------|------------|-------|
|                 | A          | B     |
| C3030WV-F-2X01P | ---        | 6.65  |
| C3030WV-F-2X02P | 3.00       | 9.65  |
| C3030WV-F-2X03P | 6.00       | 12.65 |
| C3030WV-F-2X04P | 9.00       | 15.65 |
| C3030WV-F-2X05P | 12.00      | 18.65 |
| C3030WV-F-2X06P | 15.00      | 21.65 |
| C3030WV-F-2X07P | 18.00      | 24.65 |
| C3030WV-F-2X08P | 21.00      | 27.65 |
| C3030WV-F-2X09P | 24.00      | 30.65 |
| C3030WV-F-2X10P | 27.00      | 33.65 |
| C3030WV-F-2X11P | 30.00      | 36.65 |
| C3030WV-F-2X12P | 33.00      | 39.65 |
| C3030WV-F-2X13P | 36.00      | 42.65 |
| C3030WV-F-2X14P | 39.00      | 45.65 |
| C3030WV-F-2X15P | 42.00      | 48.65 |
| C3030WV-F-2X16P | 45.00      | 51.65 |
| C3030WV-F-2X17P | 48.00      | 54.65 |
| C3030WV-F-2X18P | 51.00      | 57.65 |
| C3030WV-F-2X19P | 54.00      | 60.65 |
| C3030WV-F-2X20P | 57.00      | 63.65 |

# 深圳市连欣科技有限公司

UNIT: mm  
 SCALE: 1 of 1  
 SHEET TITLE: 3.00mm PITCH 180WAFER, MICRO-FIT  
 DRAWN BY: CHEN  
 APPROVED BY: 2019.09.05  
 GENERAL TOLERANCE: X.X±0.25 ANGLE±  
 X.XX±0.15 X.XXX±0.05

| REV. | DESCRIPTION | DATE       | UNIT | SCALE  | SHEET | TITLE                            | PART NO.          | REV. |
|------|-------------|------------|------|--------|-------|----------------------------------|-------------------|------|
| A0   | NEW RELEASE | 2019.09.05 | mm   | 1 of 1 | 1     | 3.00mm PITCH 180WAFER, MICRO-FIT | XDWF-C3030WV-2XXP | A0   |

## X-ON Electronics

Largest Supplier of Electrical and Electronic Components

*Click to view similar products for [Headers & Wire Housings](#) category:*

*Click to view products by [Lian Xin](#) manufacturer:*

Other Similar products are found below :

[0015917161](#) [0022155065](#) [57102-F02-18ULF](#) [58102-G61-06LF](#) [582553-1](#) [01.001.5753.1](#) [0050291907](#) [02.125.8002.8](#) [609-3404](#) [61062-3](#)  
[CSU011177004](#) [622-0430](#) [622-3653LF](#) [63453-116](#) [636-1030](#) [636-1427](#) [636-3427](#) [636-4007](#) [641938-9](#) [65495-038](#) [65692-001LF](#) [65781-018](#)  
[65781-047](#) [65817-010LF](#) [65817-015LF](#) [67095-007LF](#) [67601157](#) [68631-112](#) [68645-018](#) [699319-000](#) [70.362.1628.0](#) [70-4210](#) [70-4226B](#) [70-](#)  
[4853B](#) [71.350.2428.0](#) [733-134](#) [733-162](#) [760-3052](#) [MHR-64-VUAL](#) [80.063.4001.1](#) [800-90-001-10-001000](#) [801-43-002-10-013000](#)  
[801-43-006-10-002000](#) [803-43-024-10-001000](#) [803-93-012-10-001000](#) [8-1437020-4](#) [819-22-004-30-001101](#) [820-22-006-30-001101](#)  
[820-22-008-30-001101](#) [821-22-002-10-001101](#)