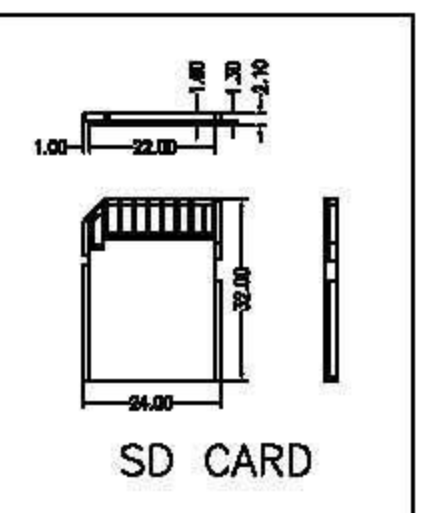
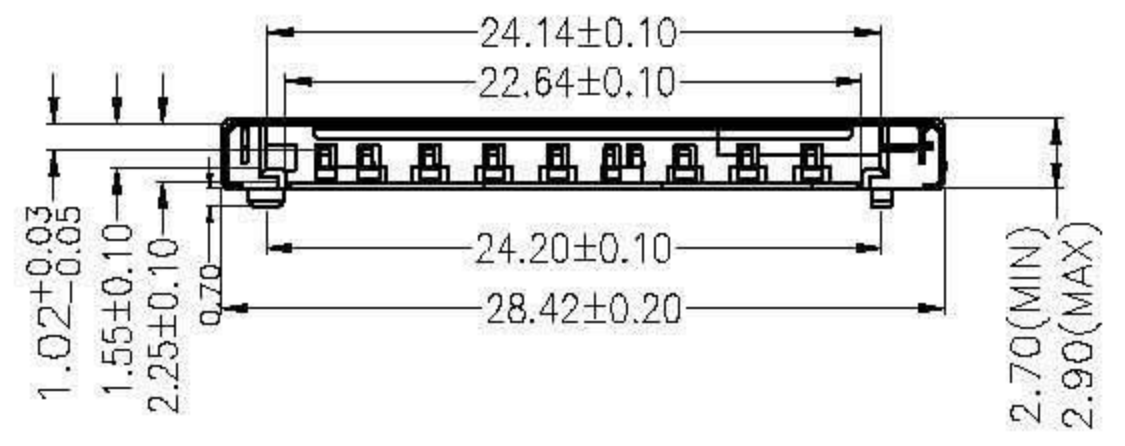
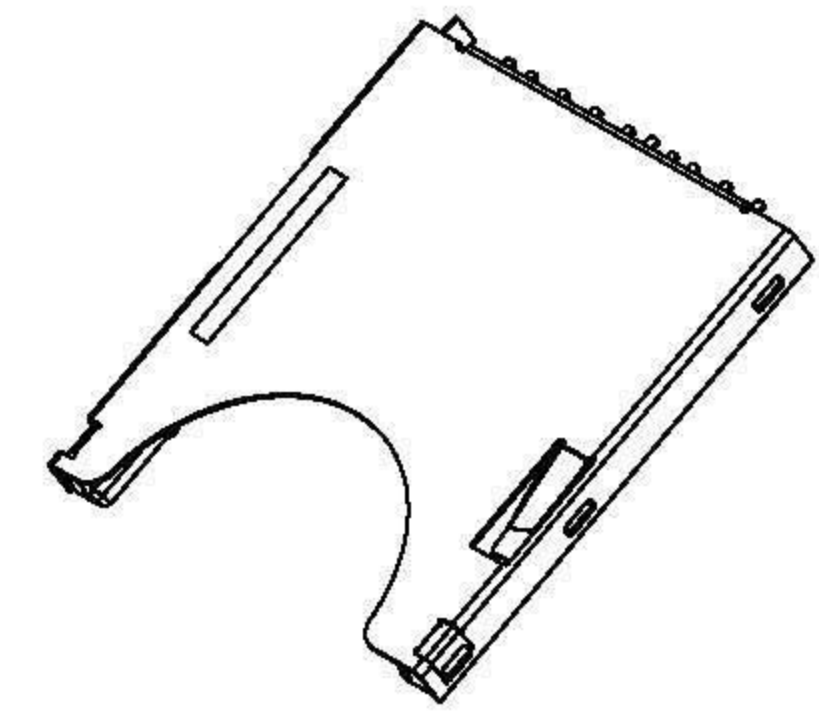
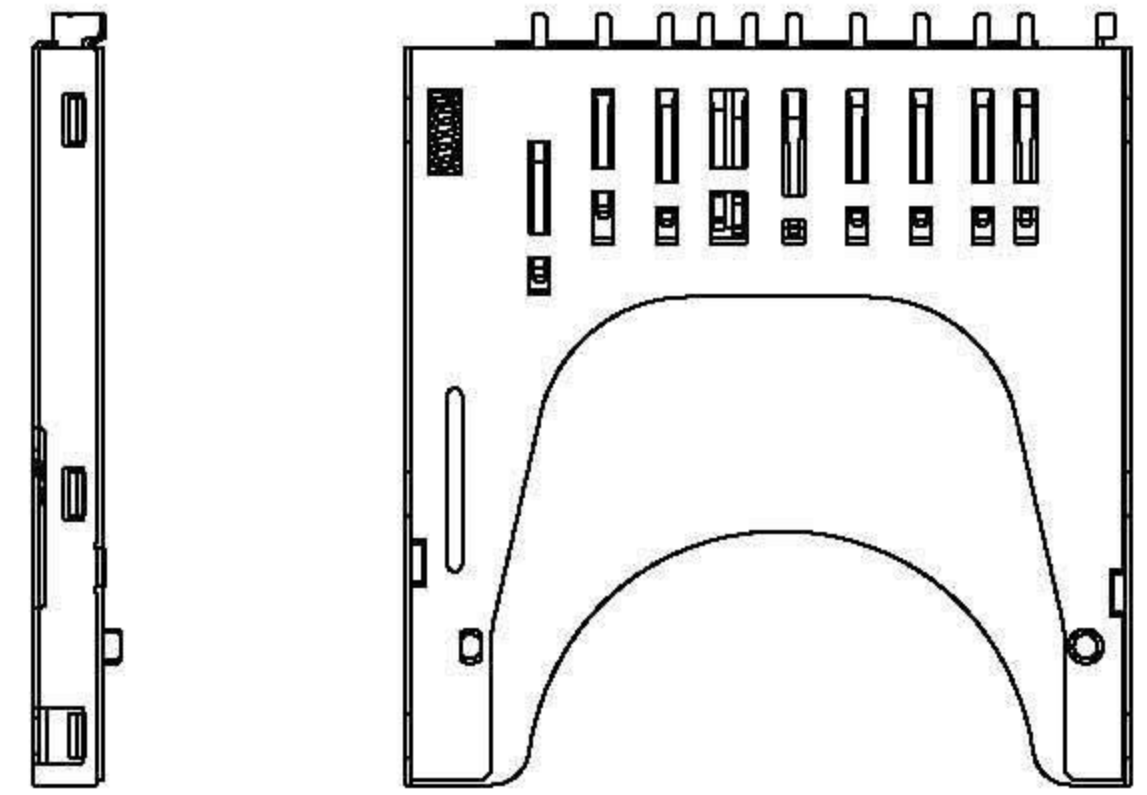
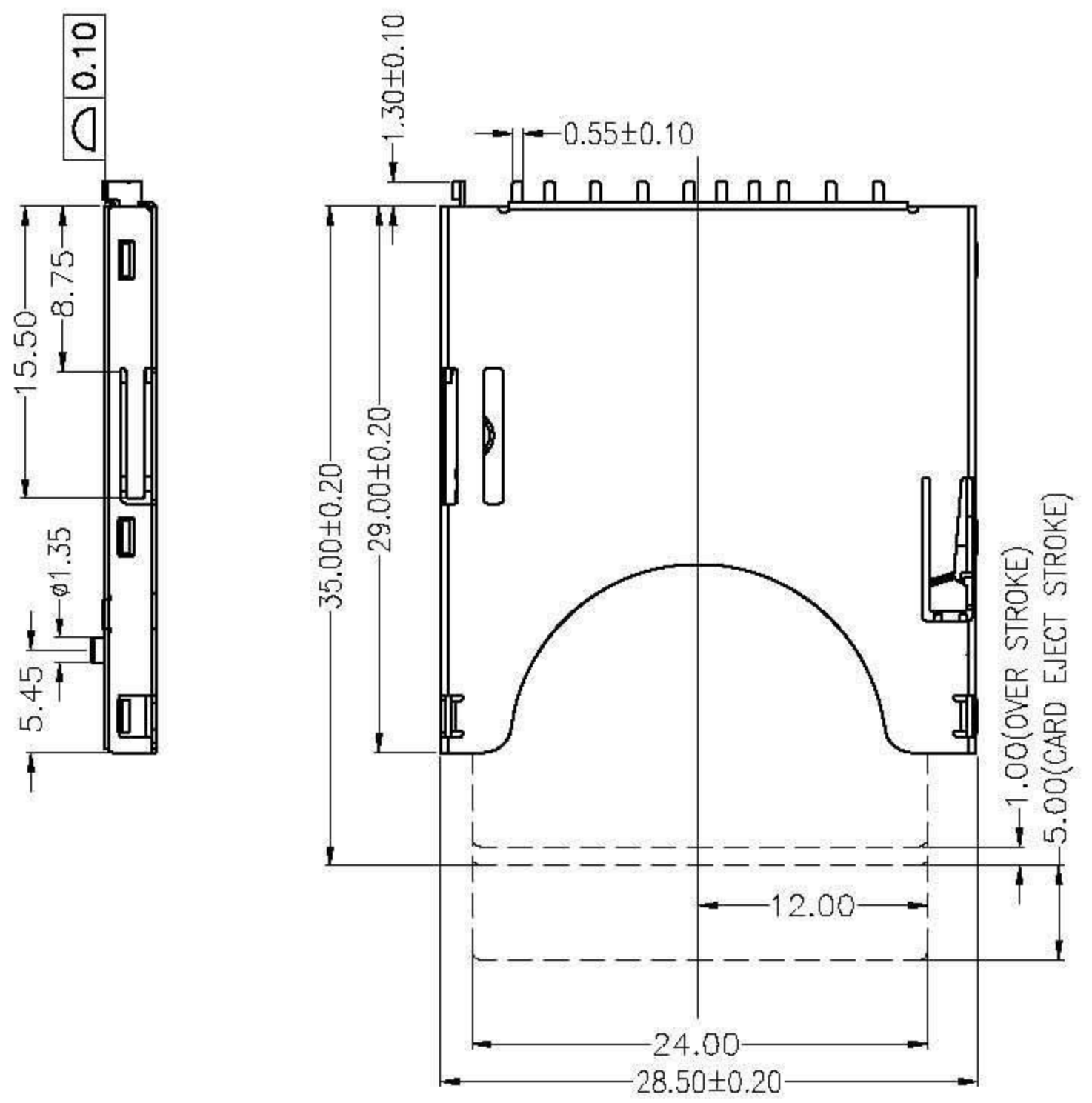


| REV. | DESCRIPTION | APPD | DATE |
|------|-------------|------|---------|
| B/1 | 滑块底部加避位槽 | 杨凯 | 0112'10 |
| B/2 | 主体金手指侧面增加避位 | 杨凯 | 0324'10 |

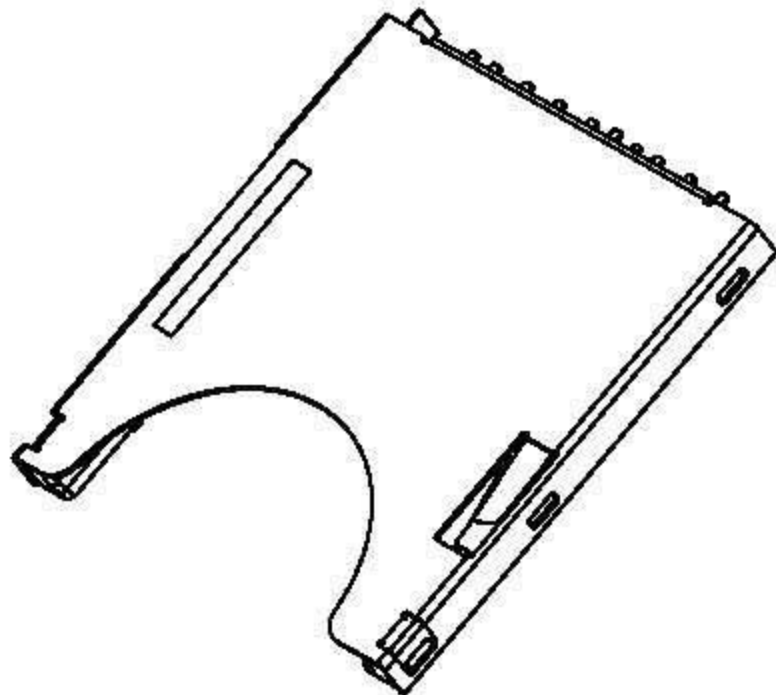
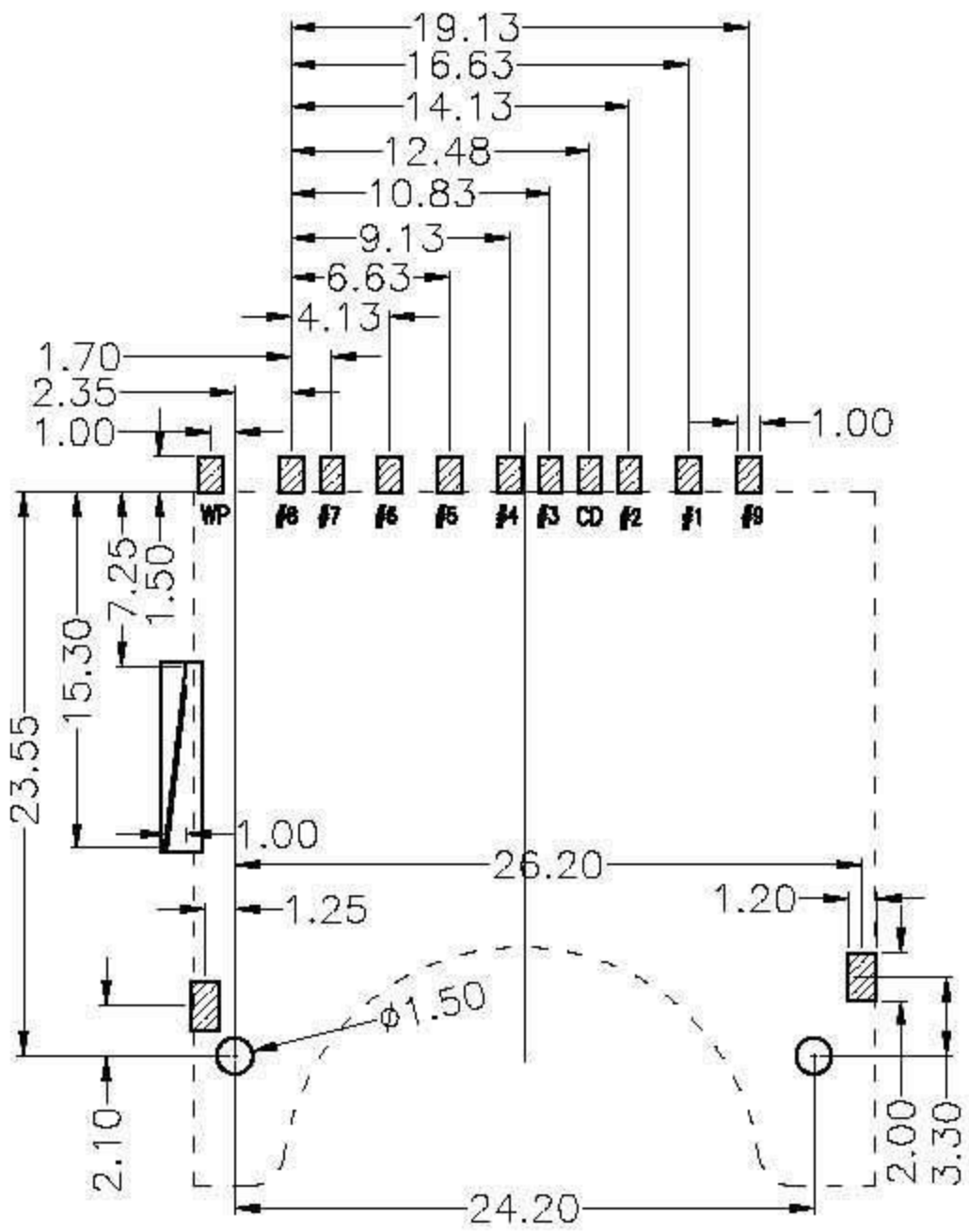
NOTES:

- MATERIAL:
HOUSING: HIGH TEMPERATURE THERMOPLASTIC UL94V_0,COLOR:BLACK.
CONTACT: COPPER ALLOYS.
COVER: COPPER ALLOYS OR STEEL.
- PLATING:
UNDERPLATE: NICKEL.
CONTACT AREA: GOLD OVER NICKEL.
SOLDER AREA: TIN OVER NICKEL.
- MULTIMEDIA CARD COMPATIBLE

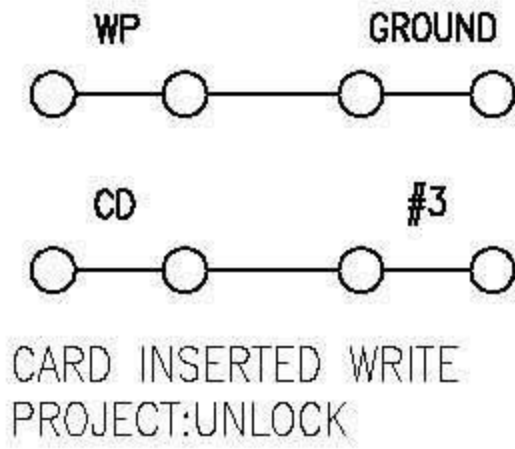
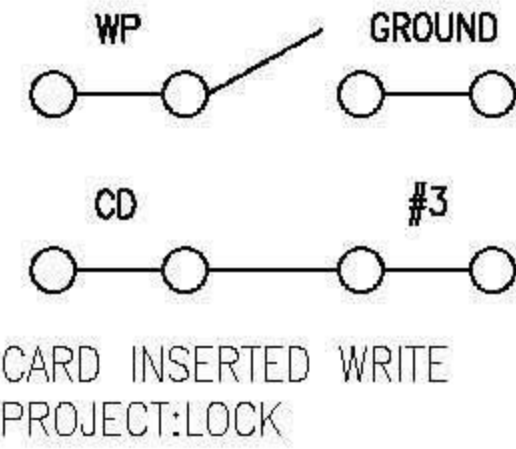
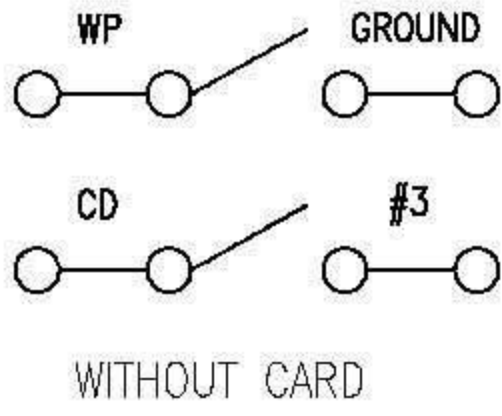


| | | | | | |
|---|----------|---|--|------------------------|----------|
| PART NO: SD-0201P | | MATERIAL: | | 深圳市连欣科技有限公司 | |
| LOT NO: | | FINSH: | | | |
| UNIT: MM | SIZE: A4 | COLOR: | | | |
| TOLERANCES: X.X=±0.35 X.XX=±0.25 X.XXX=±0.15 | | GENERAL ANGLE: X.X=±5.0° X.XX=±3.0° | | TITLE: SD PUSH卡座 | |
| DR: 杨凯 08/26/09 | | CHK: | | DWG NO: XFSD-0526-0823 | REV: B/3 |
| APP: | | SCALE: 1:1 | | SHEET: 1 OF 3 | |

| REV. | DESCRIPTION | APPD | DATE |
|------|-------------|------|------|
| | | | |
| | | | |



| SD CARD PIN DESIGN | | | |
|--------------------|---------|--------|-----------------------------|
| PIN NO. | NAME | TYPE | DESCRIPTION |
| #1 | CD/DAT3 | I/O/PP | CARD DETECT/DATA LINE(BIT3) |
| #2 | CMD | PP | COMMAND/RESPONSE |
| #3 | VSS1 | S | SUPPLY VOLTAGE GROUND |
| #4 | VDD | S | SUPPLY VOLTAGE |
| #5 | CLK | I | CLOCK |
| #6 | VSS2 | S | SUPPLY VOLTAGE GROUND |
| #7 | DAT0 | I/O/PP | DATA LINE(BIT 0) |
| #8 | DAT1 | I/O/PP | DATA LINE(BIT 1) |
| #9 | DAT2 | I/O/PP | DATA LINE(BIT 2) |

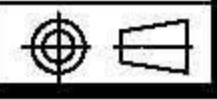


| | | | |
|---|----------|---|--|
| PART NO: SD-0201P | | MATERIAL: | |
| LOT NO: | | FINSH: | |
| UNIT: MM | SIZE: A4 | COLOR: | |
| TOLERANCES: X.X=±0.35 X.XX=±0.25 X.XXX=±0.15 | | GENERAL ANGLE: X.X=±5.0° X.XX=±3.0° | |
| DR: 杨凯 08/26/09 | | CHK: | |
| APP: | | APP: | |

深圳市连欣科技有限公司

SD PUSH卡座

| | |
|------------------------|---------------|
| DWG NO: XFSD-0526-0823 | REV: B/3 |
| SCALE: 1:1 | SHEET: 2 OF 3 |



X-ON Electronics

Largest Supplier of Electrical and Electronic Components

Click to view similar products for [Memory Card Connectors](#) category:

Click to view products by [Lian Xin](#) manufacturer:

Other Similar products are found below :

[6407-249V-25273P](#) [6407-249V-25343P](#) [6426-201-21343](#) [69.920.0553.0](#) [MCR60A-98D-2.54DSA\(70\)](#) [809180410000000](#) [DM3AT-SF-PEJM5\(41\)](#) [IC11S-BUR-PNEJL\(71\)](#) [C70210M0083692](#) [2041353-2](#) [308-DS1P0811-192](#) [HM2P09PDR360N9LF](#) [10014744-011TLF](#) [11327-001](#) [11327-002](#) [NX1-32T-KT3K\(05\)](#) [95622-003LF](#) [84648-056HLF](#) [CCM03-3109 B LFT](#) [MS3116J10-6PW](#) [2309923-1](#) [61126-050CAHLF](#) [GTFP08432B1HR](#) [G85D1160022HHR](#) [SCE2MSDZN76A121SN](#) [10014744-011ALF](#) [10014744-011LF](#) [10057542-1211FLF](#) [10067972-000LF](#) [10067972-050LF](#) [10122302-20110LF](#) [G85D1162022HHR](#) [TF-05A](#) [M6014-12](#) [XKNANO-1412](#) [SMN-304-ARP6](#) [MIS11-S1F1-2000-A](#) [SMN-308-ARSP7](#) [MCS-302S-KT1B](#) [SMN-308-ACSP7](#) [K-DYX-008](#) [K-DYX-004](#) [C7024-03](#) [SMO-1030](#) [MCS-110-KT](#) [SIM-217](#) [SNO-1355-KT](#) [SMO-1025-P10](#) [SIM-211S-P6](#) [SNO-1440](#)