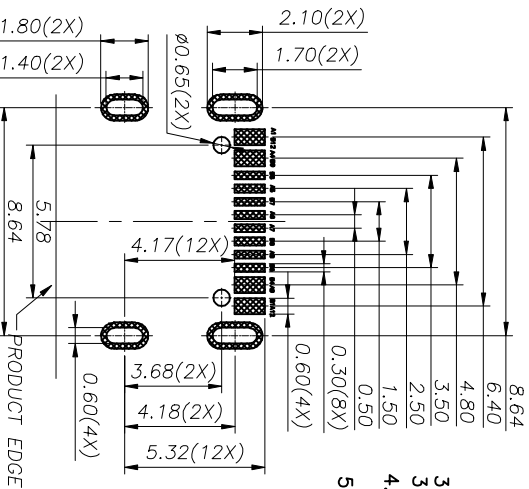
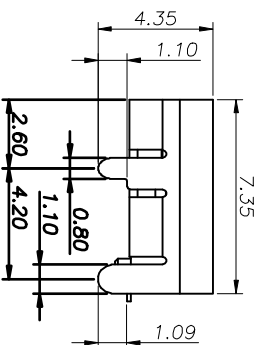
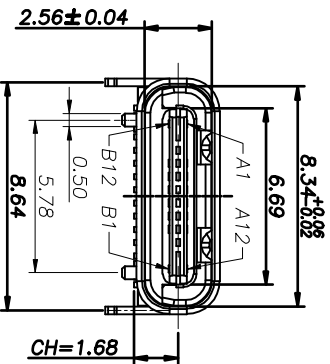
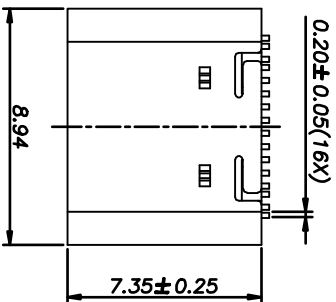


USB TYPE-C PIN ASSIGNMENTS

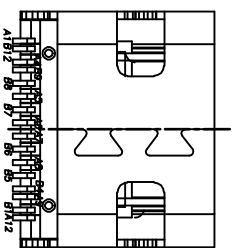
PIN NUMBER	SIGNAL NAME	PIN NUMBER	SIGNAL NAME
A1	GND	B12	GND
A4	VBUS	B9	VBUS
A5	CC1	B8	SBUS2
A6	Dp1	B7	Dn2
A7	Dn1	B6	Dp2
A8	SBUS1	B5	CC2
A9	VBUS	B4	VBUS
A12	GND	B1	GND

NOTE:

1. MATERIAL SPECIFICATION:
1. HOUSING: HIGH TEMPERATURE RESISTANT PLASTIC, UL94 V-0.
2. CONTACTS: COPPER ALLOY
4. FRONT SHELL: STAINLESS STEEL
2. MECHANICAL PERFORMANCE:
- 2-1. INSERTION FORCE: 0.5~2.0kgf.
- 2-2. REMOVAL FORCE: 0.8kgf~2.0kgf.
- 2-3. DURABILITY: 10000 CYCLES.
3. ELECTRICAL PERFORMANCE:
- 3-1. CURRENT RATING: 5.0A
- VOLTAGE RATING: 5.0V
- 3-2. LCR: VBUS & GND PINS AND OTHER PINS: 40mΩ/PIN MAX. SHIELD: 50mΩ/MAX. LCR MAX. CHANGE OF ALL PINS: 10mΩ.
- 3-3. INSULATION RESISTANCE: 100MΩ MIN
- 3-4. DIELECTRIC WITHSTAND VOLTAGE: AC 100V FOR 1 MINUTE.
4. ENVIRONMENTAL PERFORMANCE:
- OPERATING TEMPERATURE: -45℃~+85℃.
5. I.R. REFLOW: THE PEAK TEMPERATURE ON THE BOARD SHALL BE MAINTAINED FOR 10 SECONDS AT 260°C.



RECOMMENDED PCB LAYOUT(TOP VIEW)
THICKNESS 0.80MM; DEFAULT TOLERANCE: ±0.05



Version	Engineer	Change No.	Change Description	Date	Approved by

P/N	LOGO	MYLAR	SHELL	CONTACT	SOLDER	PAKING	SHELL MATERIAL
USBC-202N02A00	W/O	W/O	NI	Fu" Au	Fu" Au	REEL	SUS

X.	±0.15	X.	±8°				
.X	±0.10	.X	±1.5°				
.XX	±0.05	.XX					
.XXX	±0.02	.XXX					

物料编号: Material No.: XUBR-0336-0817B

客户料号: Customer Item:

物料编号: Tool No.:

工程图号: Tool NO.:

日期: 2018.06.18

比例: 1/1

深圳市连欣科技有限公司
TEL: 0755-34410035 FAX: 0755-34410036

X-ON Electronics

Largest Supplier of Electrical and Electronic Components

Click to view similar products for [USB Connectors](#) category:

Click to view products by [Lian Xin](#) manufacturer:

Other Similar products are found below :

[950](#) [MUSBD11135](#) [17-200721](#) [217450-1](#) [KMBVX-TH-5S-B30](#) [KUSBX-AS2N-W](#) [KUSBX-SMT2AP1S-W30](#) [935](#) [957](#) [30-498-6](#) [SK-60A-2](#)
[1734082-1](#) [30-470](#) [30-489](#) [30-541](#) [A-USB A-2P-C](#) [MIKROE-1451](#) [USBFTVSCCG](#) [1-1734084-2](#) [10135326-001LF](#) [4198](#) [USB-A-D-VT](#)
[USB-A-S-RA-TSMT](#) [1310-1023-02](#) [690-024-633-031](#) [UB-20PMFP-LC7001](#) [17-200011](#) [UB-20AFMM-LL7A01](#) [1040870124](#) [CAP-](#)
[WCCMLPB1](#) [CAP-WCCMLPC1](#) [2274475-3](#) [UB-20BMFA-SL8001](#) [914-614A2025S10200](#) [USB3FTV7SAGF059](#) [ZX40-B-5S-1500-](#)
[STDA\(30\)](#) [GSB3116344HR](#) [USB3FTV2SAZNF459](#) [USB3FTV7SAZNF459](#) [U221-041N-1WVS62-F5D](#) [HYCW153-USBD05-500B](#)
[HYCW219-USBD05-075B](#) [HYCW148-USBD05-117B](#) [HYCW149-USBD05-740B](#) [HYCW204-USBD05-108B](#) [HYCW214-USBA04-113B](#)
[HYCW213-USBA04-113B](#) [UB-20AMFM-SL7A01](#) [KMMX-BSMT35S-1-B30TR](#) [2345986-1](#)