

1

2

3

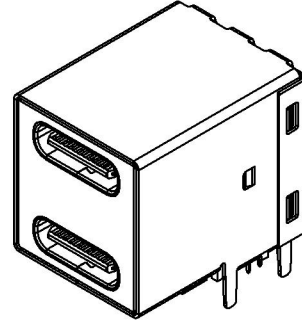
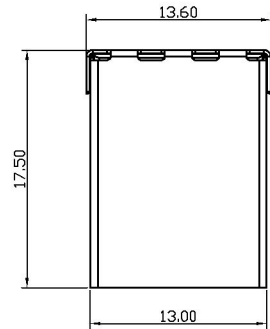
4

5

6

REV	MODIFICATION	DRAW	DATE
A.00	新版发行		20201125

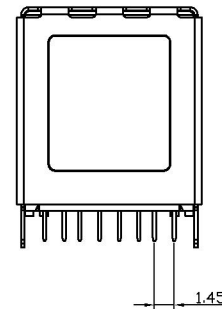
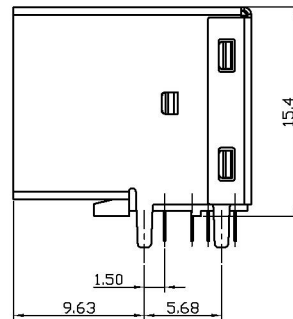
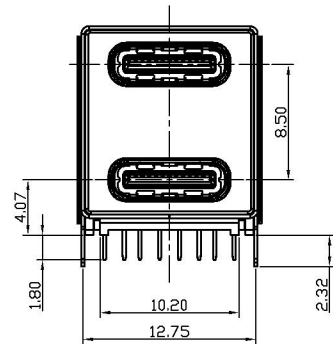
A



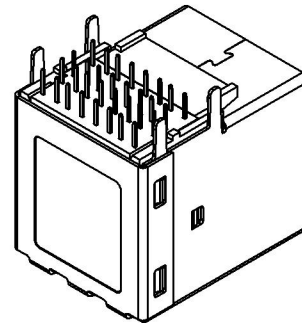
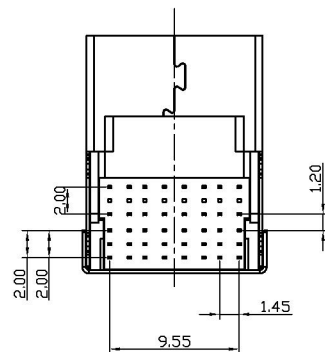
B

- NOTES:
- HOUSING: LCP, UL 94V-0, COLOR- BLUE (PANTONE 300C) OR BLACK
 - BOTTOM COVER: LCP, UL 94V-0,COLOR- BLUE (PANTONE 300C) OR BLACK
 - CONTACT: USB3 C2680-H T=0.25mm ; USB2 C5191-H T=0.25mm
30 μ " MIN. GOLDPLATED ON CONTACT AREA, 120 μ " MIN. MATTE TIN PLATED ON SOLDERING TAIL,80 μ " MIN. NICKEL UNDER-PLATED OVERALL
 - FRONT SHELL: SUS304-1/2H, T=0.25mm, 30 μ " MIN. NICKEL PLATED OVER ALL, 100 μ " MIN. MATTE TIN PLATED ON SOLDERING TAIL,
 - MIDDLE SHELL: SUS304-1/2H, T=0.25mm,
 - REAR SHELL: SUS304-1/2H, T=0.20mm,
 - THIS PRODUCT DOESN'T CONTAIN ENVIRONMENTAL HAZARDOUS PER DIRECTIVE 2011/65/EU FOR RoHS COMPLIANT. OR PER IEC 61249-2-21 FOR HALOGEN-FREE COMPLIANT.

C



D



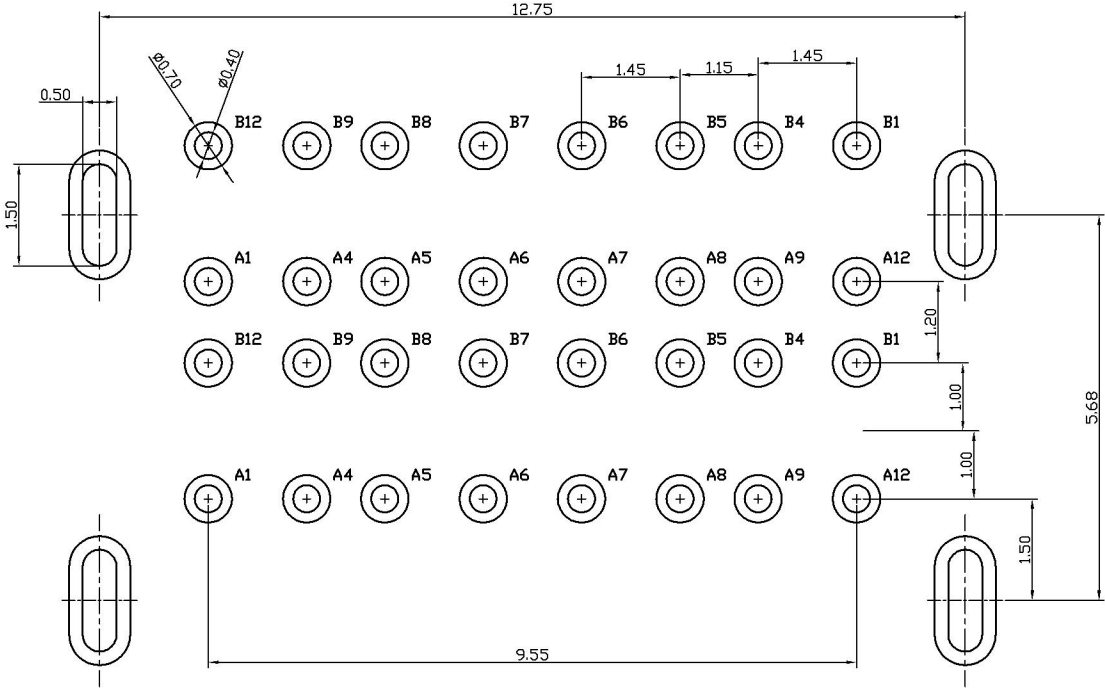
E

圖號: (DRAWNO)	LINEAR	ANGLE	深圳市连欣科技有限公司							
	. X 14	. X 17								
	. XX 15	. X 18								
產品名稱: (PARTNAME)	TYPE C 16PIN 双层 板上 CONNECT		產品料號:(PARTNO) XUBF-0336-16B04							
核對: (APPRO. BY)	3	廠內料號: (PARTNO)			客戶料號: (CLIENTNO)			數量: (CNUM)		
設計: (DESIGN. BY)	4	6			8			13		
繪圖: (DAWG. BY)	5		單位: UNIT:	9	比例: SCALE:	10	張數: PAPERS:	11	版本: REV:	12

REV	MODIFICATION	DRAW	DATE
A.00	新版发行		20201125

USB TYPE-C FULL-FEATURED RECEPTACLE INTERFACE PIN ASSIGNMENTS

PIN	Signal Name	Description	PIN	Signal Name	Description
A1	GND	Ground return	B12	GND	Ground return
A4	V _{BUS}	Bus Power	B9	V _{BUS}	Bus Power
A5	CC1	Configuration Channel	B8	SBU2	Sideband Use (SBU)
A6	Dp1	Positive half of the USB 2.0 differential pair-Position 1	B7	Dn2	Negative half of the USB 2.0 differential pair-Position 2
A7	Dn1	Negative half of the USB 2.0 differential pair-Position 1	B6	Dp2	Positive half of the USB 2.0 differential pair-Position 2
A8	SBU1	Sideband Use(SBU)	B5	CC2	Configuraation Channel
A9	V _{BUS}	Bus Power	B4	V _{BUS}	Bus Power
A12	GND	Ground return	B1	GND	Ground return



RECOMMENDED PCB LAYOUT(TOP VIEW)
(DEFAULT TOLERANCE:±0.05)

圖號: (DRAWNO)		LINEAR		ANGLE		深圳市连欣科技有限公司							
1		.X	14	.X	17								
		.XX	15	.X	18								
				.XXX	16	.XX	19	產品料號:(PARTNO)			XUBF-0336-16B04		
產品名稱: (PARTNAME)		TYPE C 16PIN 双层 板上 CONNECT				客戶料號: (CLIENTNO)							
核對:	3	廠內料號: (PARTNO)				8				數量:	13		
設計:	4	6											
繪圖:	5	單位: UNIT:		9	比例: SCALE:		10	張數: PAPERS:	11	版本: REV:	12		

X-ON Electronics

Largest Supplier of Electrical and Electronic Components

Click to view similar products for [USB Connectors](#) category:

Click to view products by [Lian Xin](#) manufacturer:

Other Similar products are found below :

[950](#) [MUSBD11135](#) [17-200721](#) [217450-1](#) [KMBVX-TH-5S-B30](#) [KUSBX-AS2N-W](#) [KUSBX-SMT2AP1S-W30](#) [935](#) [957](#) [30-498-6](#) [SK-60A-2](#)
[1734082-1](#) [30-470](#) [30-489](#) [30-541](#) [A-USB A-2P-C](#) [MIKROE-1451](#) [USBFTVSCCG](#) [1-1734084-2](#) [10135326-001LF](#) [4198](#) [USB-A-D-VT](#)
[USB-A-S-RA-TSMT](#) [1310-1023-02](#) [690-024-633-031](#) [UB-20PMFP-LC7001](#) [17-200011](#) [UB-20AFMM-LL7A01](#) [1040870124](#) [CAP-](#)
[WCCMLPB1](#) [CAP-WCCMLPC1](#) [2274475-3](#) [UB-20BMFA-SL8001](#) [914-614A2025S10200](#) [USB3FTV7SAGF059](#) [ZX40-B-5S-1500-](#)
[STDA\(30\)](#) [GSB3116344HR](#) [USB3FTV2SAZNF459](#) [USB3FTV7SAZNF459](#) [U221-041N-1WVS62-F5D](#) [HYCW153-USBD05-500B](#)
[HYCW219-USBD05-075B](#) [HYCW148-USBD05-117B](#) [HYCW149-USBD05-740B](#) [HYCW204-USBD05-108B](#) [HYCW214-USBA04-113B](#)
[HYCW213-USBA04-113B](#) [UB-20AMFM-SL7A01](#) [KMMX-BSMT35S-1-B30TR](#) [2345986-1](#)