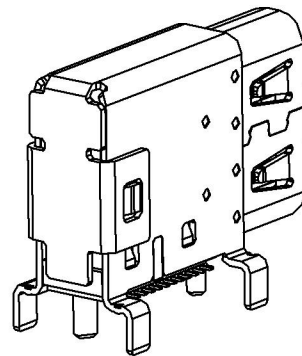


| REV.<br>(版本号) | DESCRIPTION<br>(变更说明) | DATE<br>(日期) | APPD<br>(核准) |
|---------------|-----------------------|--------------|--------------|
| A0            | 新订图面                  | 2022.07.07   | Yuxiang      |



### MATERIALS

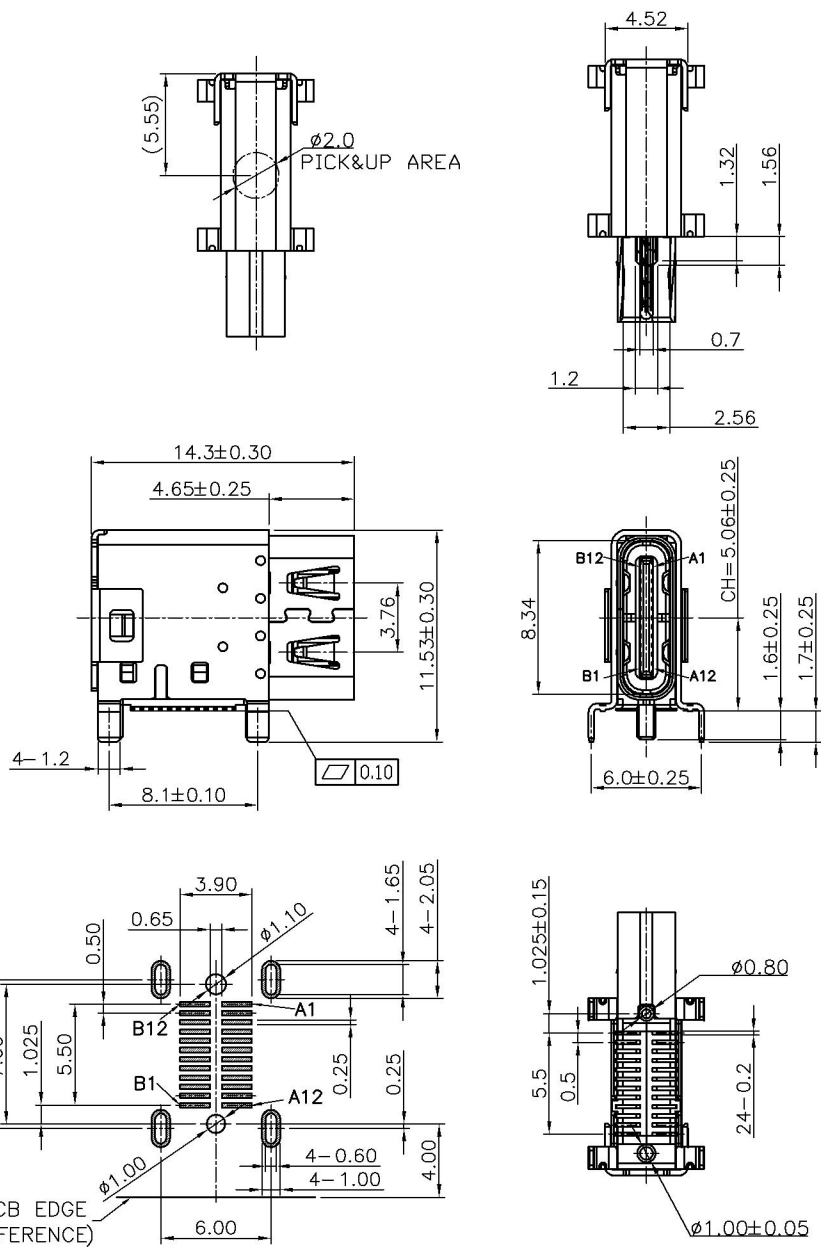
- HOUSING : LCP (UL 94V-0), BLACK.
- TERMINAL : COPPER ALLOY,  
GOLD PLATED ON CONTACT AREA.  
GOLD FLASH PLATING ON SOLDER TAIL.  
NICKEL UNDERPLATED OVER ALL.
- MID PLATE : STAINLESS STEEL.
- SHELL : STAINLESS STEEL,NICKEL PLATING.

### SPECIFICATION

- CURRENT RATING : 5.0A FOR Vbus PIN,  
1.25A FOR Vconn PIN,  
0.25A FOR OTHER PINS.
- CONTACT RESISTANCE : 40mΩ.
- INSULATION RESISTANCE : 100MΩ MIN.
- DIELECTRIC WITHSTANDING VOLTAGE : 100 VAC MIN.
- OPERATING TEMPERATURE : -40°C TO +85°C.
- MATING FORCE : 5~20N.
- UNMATING FORCE : 8~20N.
- DURABILITY : 10,000 CYCLES.
- RECOMMENDED PROCESS :  
THE PEAK TEMPERATURE ON THE BOARD SHALL  
MAINTAIN 260°C.

### PIN ASSIGNMENT:

| PIN | Signal Name | PIN | Signal Name |
|-----|-------------|-----|-------------|
| A1  | GND         | B12 | GND         |
| A2  | SSTXp1      | B11 | SSRXp1      |
| A3  | SSTXn1      | B10 | SSRXn1      |
| A4  | Vbus        | B9  | Vbus        |
| A5  | CC1         | B8  | SBU2        |
| A6  | Dp1         | B7  | DN2         |
| A7  | Dn1         | B6  | DP2         |
| A8  | SBU1        | B5  | CC2         |
| A9  | Vbus        | B4  | Vbus        |
| A10 | SSRXn2      | B3  | SSTXn2      |
| A11 | SSRXp2      | B2  | SSTXp2      |
| A12 | GND         | B1  | GND         |



RECOMMENDED P.C.B LAYOUT  
TOLERANCE ±0.05mm (TOP VIEW)

|                      |                 |               |            |   |
|----------------------|-----------------|---------------|------------|---|
| <h1>深圳市连欣科技有限公司</h1> |                 | 页码 (SHEET)    | 1/1        | 单位 (UNIT) : MM  |
|                      |                 | 版本 (REV)      | A0         | 比例 (SCALE) 1:1  |
| 品名 (ITEM NO)         | TYPE C侧插24PIN母座 | 日期 (DATE)     | 2022.07.07 | <br>未注公差<br>TOLERANCE UNSPECIFIED<br>X.X ±0.30<br>X.XX ±0.20<br>X.XXX ±0.10<br>X° ±5°<br>X.X° ±2° |
| 料号 (PART NO)         | XUBF-0339-0914  | 设计 (DESIGN)   |            |   |
| 图号 (DWG NO)          | LX-TCF-099      | 审核 (CHECKED)  |            |   |
|                      |                 | 核准 (APPROVED) |            |   |

## X-ON Electronics

Largest Supplier of Electrical and Electronic Components

*Click to view similar products for [USB Connectors](#) category:*

*Click to view products by [Lian Xin](#) manufacturer:*

Other Similar products are found below :

[950](#) [MUSBD11135](#) [17-200721](#) [217450-1](#) [KMBVX-TH-5S-B30](#) [KUSBX-AS2N-W](#) [KUSBX-SMT2AP1S-W30](#) [935](#) [957](#) [30-498-6](#) [SK-60A-2](#)  
[1734082-1](#) [30-470](#) [30-489](#) [30-541](#) [A-USB A-2P-C](#) [MIKROE-1451](#) [USBFTVSCCG](#) [1-1734084-2](#) [10135326-001LF](#) [4198](#) [USB-A-D-VT](#)  
[USB-A-S-RA-TSMT](#) [1310-1023-02](#) [690-024-633-031](#) [UB-20PMFP-LC7001](#) [17-200011](#) [UB-20AFMM-LL7A01](#) [1040870124](#) [CAP-](#)  
[WCCMLPB1](#) [CAP-WCCMLPC1](#) [2274475-3](#) [UB-20BMFA-SL8001](#) [914-614A2025S10200](#) [USB3FTV7SAGF059](#) [ZX40-B-5S-1500-](#)  
[STDA\(30\)](#) [GSB3116344HR](#) [USB3FTV2SAZNF459](#) [USB3FTV7SAZNF459](#) [U221-041N-1WVS62-F5D](#) [HYCW153-USBD05-500B](#)  
[HYCW219-USBD05-075B](#) [HYCW148-USBD05-117B](#) [HYCW149-USBD05-740B](#) [HYCW204-USBD05-108B](#) [HYCW214-USBA04-113B](#)  
[HYCW213-USBA04-113B](#) [UB-20AMFM-SL7A01](#) [KMMX-BSMT35S-1-B30TR](#) [2345986-1](#)