

SECTION: A-A

NOTE:
PTCWM-HXXB-001
16:外壳喷漆珍珠镍
12:外壳镀黑镍

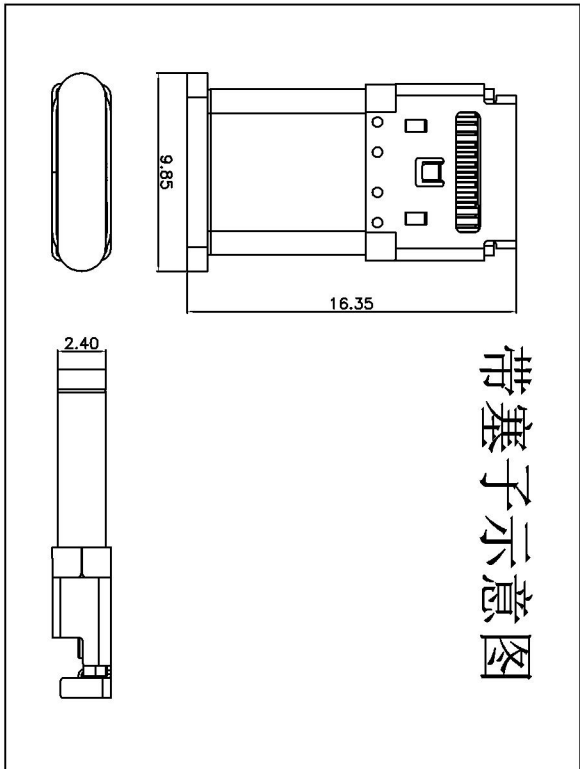
- NOTES:
- MECHANICAL: (机械性能)
 - MATING FORCE: 5-20N .
插入力: 5-20N .
 - UNMATING FORCE: 8-20N
拔出力: 8-20N .
 - DURABILITY: 10000 CYCLES
耐久: 10000次
 - ELECTRICAL: (电气性能)
 - CONTACT CURRENT RATING: 1.25A/PIN FOR VBUS AND GND, 0.25A/PIN FOR ALL OTHER CONTACT.
电流: 对VBUS和GND为1.25A/PIN, 其它为0.25A/PIN.
 - DIELECTRIC WITHSTANDING VOLTAGE: 100V AC AT SEA LEVEL.
耐电压: 100V AC AT SEA LEVEL.
 - LOW LEVEL CONTACT RESISTANCE: 40mΩ MAX FOR VBUS AND GND, 50mΩ MAX FOR OTHER CONTACTS.
接触电阻: VBUS和GND, 40mΩ 最大; 其它为50mΩ.
 - INSULATION RESISTANCE: 100MΩ MIN AT 250VDC.
绝缘电阻: 在电压250VDC, 100MΩ 最小.
 - OPERATING TEMPERATURE: -55~85°. E
 - COMPLANARITY OF SMT TERMINAL IS 0.10MMAX.
焊接端子平面度最大不超过0.10MM.

ITEM	NAME	QTY	MATERIAL	DESCRIPTION
⑥	Shield	1	Stainless Steel	Bright Nickel Plating
⑤	Housing	4	LCP	Color: Black
④	Latch	1	Stainless Steel	
③	Contact	24	Copper Alloy	3μ" gold plated on Contact area, Matte Tin plated on Solderpoints, Nickel underplating over all
②	Emc Spring	2	Stainless Steel	
①	Shell	1	Stainless Steel	Bright Nickel Plating

深圳市连欣科技有限公司		页码 (SHEET)	1/2	单位 (UNIT):	MM
品名 (ITEM NO)	TYPE C 公头24Pin SMT 双贴款-成品	版本 (REV)	A0	比例 (SCALE)	1:1
料号 (PART NO)	XDBM-0339-1530	日期 (DATE)	2021.03.11	设计 (DESIGN)	ZHUANG
图号 (DWG NO)	USBM2724-GM130-01B	审核 (CHECKED)		审核 (APPROVED)	
		公差 (TOLERANCE UNSPECIFIED)	未注公差 ±0.30 ±0.20 ±0.10 ±0.05 ±0.02		

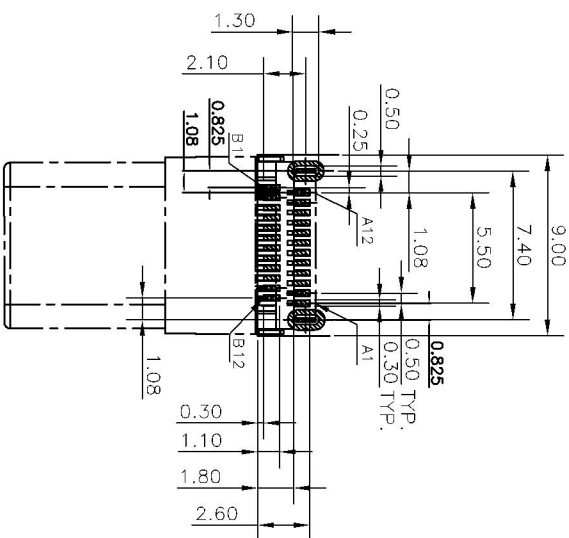
REV.	DESCRIPTION (变更说明)	DATE (日期)	APP (核准)
A0	新订图面	2021.03.11	ZHUANG

带塞子示意图



USB TYPE-C FULL-FEATURED RECEPTACLE INTERFACE PIN ASSIGNMENTS

PIN	Signal Name	Description	PIN	Signal Name	Description
A1	GND	Ground return	B12	GND	Ground return
A2	SSTXp1	Positive half of first SuperSpeed TX differential pair	B11	SSRXp1	Positive half of first SuperSpeed RX differential pair
A3	SSTXn1	Negative half of first SuperSpeed TX differential pair	B10	SSRXn1	Negative half of first SuperSpeed RX differential pair
A4	VBUS	Bus Power	B9	VBUS	Bus Power
A5	CC1	Configuration Channel	B8	SBUS2	Sideband Use(SBU)
A6	Dp1	Positive half of the USB 2.0 differential pair-Position 1	B7	Dn2	Positive half of the USB 2.0 differential pair-Position 2
A7	Dn1	Negative half of the USB 2.0 differential pair-Position 1	B6	Dp2	Negative half of the USB 2.0 differential pair-Position 2
A8	SBUS1	Sideband Use(SBU)	B5	CC2	Configuration Channel
A9	VBUS	Bus Power	B4	VBUS	Bus Power
A10	SSRXn2	Negative half of second SuperSpeed RX differential pair	B3	SSTXn2	Negative half of second SuperSpeed TX differential pair
A11	SSRXp2	Positive half of second SuperSpeed RX differential pair	B2	SSTXp2	Positive half of second SuperSpeed TX differential pair
A12	GND	Ground return	B1	GND	Ground return



RECOMMENDED P.C.B. LAYOUT
 $T=0.80$ OR 1.00 mm
 TOLERANCE UNSPECIFIED ± 0.05 mm

深圳市连欣科技有限公司

品名 (ITEM NO)	TYPE C 公头24Pin SMT 双贴款-成品
料号 (PART NO)	XDBM-0339-1530
图号 (DWG NO)	USBM2724-GM130-01B

REV (版本号)	DESCRIPTION (变更说明)	DATE (日期)	APPD (核准)
A0	新订图面	2021.03.11	ZHUANG

页码 (SHEET)	2/2	单位 (UNIT)	MM
版本 (REV)	A0	比例 (SCALE)	1:1
日期 (DATE)	2021.03.11	设计 (DESIGN)	ZHUANG
审核 (CHECKED)		核准 (APPROVED)	
图号 (DWG NO)	USBM2724-GM130-01B	公差 (TOLERANCE)	UNSPECIFIED
		角度 (ANGLE)	$\pm 5^\circ$

X-ON Electronics

Largest Supplier of Electrical and Electronic Components

Click to view similar products for [USB Connectors](#) category:

Click to view products by [Lian Xin](#) manufacturer:

Other Similar products are found below :

[950](#) [MUSBD11135](#) [17-200721](#) [217450-1](#) [KMBVX-TH-5S-B30](#) [KUSBX-AS2N-W](#) [KUSBX-SMT2AP1S-W30](#) [935](#) [957](#) [30-498-6](#) [SK-60A-2](#)
[1734082-1](#) [30-470](#) [30-489](#) [30-541](#) [A-USB A-2P-C](#) [MIKROE-1451](#) [USBFTVSCCG](#) [1-1734084-2](#) [10135326-001LF](#) [4198](#) [USB-A-D-VT](#)
[USB-A-S-RA-TSMT](#) [1310-1023-02](#) [690-024-633-031](#) [UB-20PMFP-LC7001](#) [17-200011](#) [UB-20AFMM-LL7A01](#) [1040870124](#) [CAP-](#)
[WCCMLPB1](#) [CAP-WCCMLPC1](#) [2274475-3](#) [UB-20BMFA-SL8001](#) [914-614A2025S10200](#) [USB3FTV7SAGF059](#) [ZX40-B-5S-1500-](#)
[STDA\(30\)](#) [GSB3116344HR](#) [USB3FTV2SAZNF459](#) [USB3FTV7SAZNF459](#) [U221-041N-1WVS62-F5D](#) [HYCW153-USBD05-500B](#)
[HYCW219-USBD05-075B](#) [HYCW148-USBD05-117B](#) [HYCW149-USBD05-740B](#) [HYCW204-USBD05-108B](#) [HYCW214-USBA04-113B](#)
[HYCW213-USBA04-113B](#) [UB-20AMFM-SL7A01](#) [KMMX-BSMT35S-1-B30TR](#) [2345986-1](#)