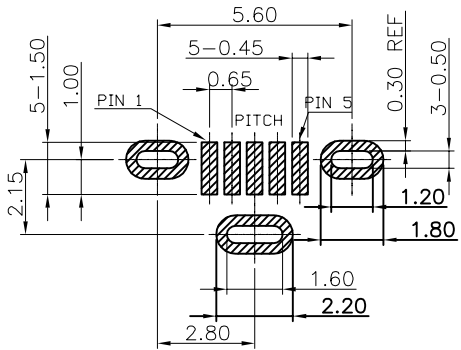
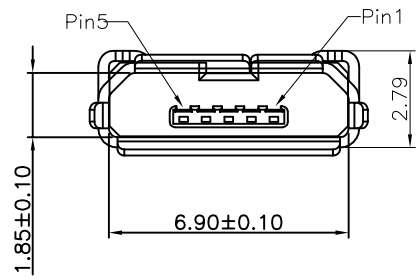
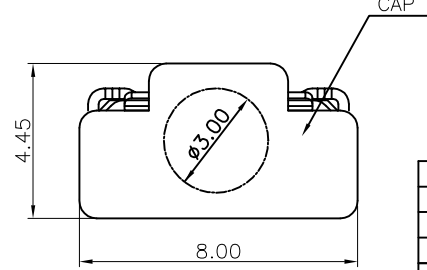
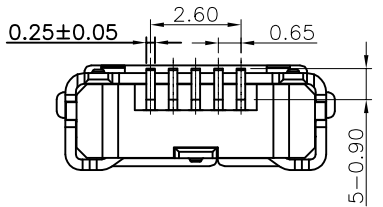
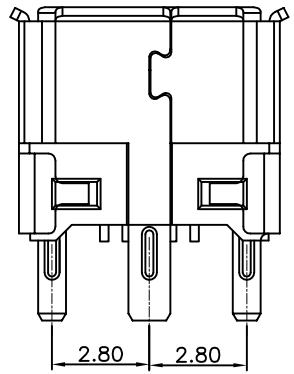
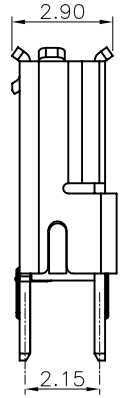
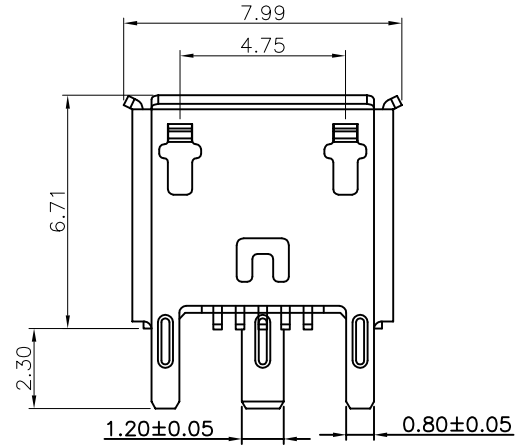


NO.	ECN NO.	DESCRIPTION	REV.	DRAW	DATE
1		NEW	A0	LZW	20210508
2					
3					



RECOMMEND PCB LAYOUT(THICKNESS=1.6mm)
TOLERANCE: ±0.05

- MATERIAL SPECIFICATION:
 - HOUSING: HIGH TEMPERATURE THERMOPLASTIC; UL94 V-0 LCP BLACK.
 - CONTACTS: PHOSPHOR BRONZE C5191 T=0.20mm.
 - SHELL: SUS201 T=0.25mm.
- PLATING SPECIFICATION:
 - CONTACTS: Ni 50u" MIN. UNDER PLATED OVERALL. Au(SEE PART NOTE)MIN PLATED ON THE FUNCTIONAL AREA OF CONTACT AND SOLDER AREA.
 - SHELL: Ni 30u" MIN. PLATED OVERALL.
- MECHANICAL PERFORMANCE,
 - INSERTION FORCE: 3.5kgf MAX
 - REMOVAL FORCE: 1.0kgf MIN
 - DURABILITY: 10000 CYCLES.REMOVAL FORCE 0.8kgf MIN
- ELECTRICAL PERFORMANCE,
 - INSULATION RESISTANCE: 100MΩ MIN
 - DIELECTRIC WITHSTAND VOLTAGE,AC 100V FOR 1 MINUTE.
 - LOW LEVEL CONTACT RESISTANCE 30mΩ Max.
 - CURRENT RATING: PIN1/PIN5: 1.8A, OTHER PINS 0.5A. VOLTAGE RATING:30V
- OPERATING TEMPERATURE: -40°TO+85°
- LINE WITH ROHS2.0, REACH, MEET THE HALOGEN-FREE
- IR REFLOW: THE PEAK TEMPERATURE ON THE BOARD SHALL BE MAINTAINED FOR 10 SECONDS AT 260±5°C.



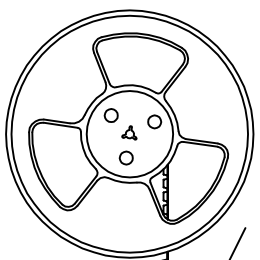
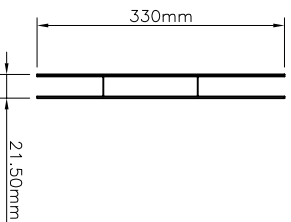
PIN	Signal Name
PIN 5	GND
PIN 4	ID
PIN 3	D+
PIN 2	D-
PIN 1	VBUS
Contact Number	Signal Name

未注公差 TOLERANCE UNLESS OTHERWISE SPECIFIED	X	±0.45
	.X	±0.35
	.XX	±0.25
	X*	±1°

比例 SCALE	1:1	角法 PROJ.	设计 DESIGN	品名 TITLE	USB-MICRO 5PIN 立贴 三定位脚
张数 SHEET	1/1	大小 SIZE	A4	料号 ITEM NO.	XUDF-0418-023
单位 UNIT	mm	版本 REV.	A0	图号 DWG NO.	LX-USB-023

深圳市连欣科技有限公司

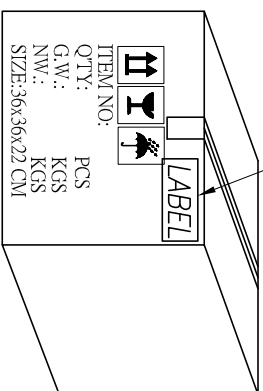
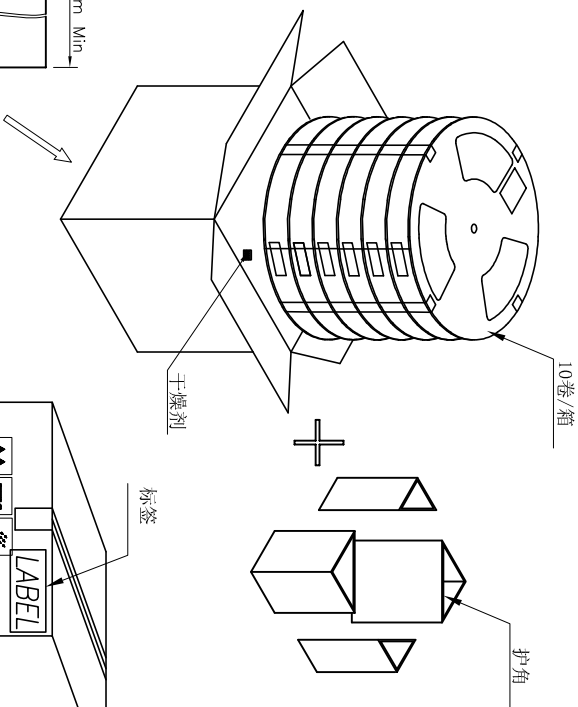
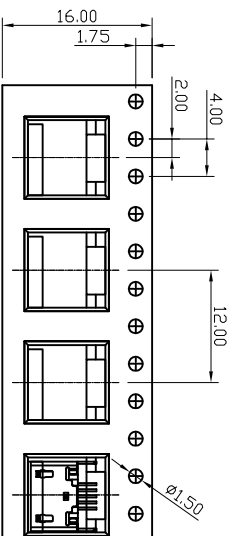
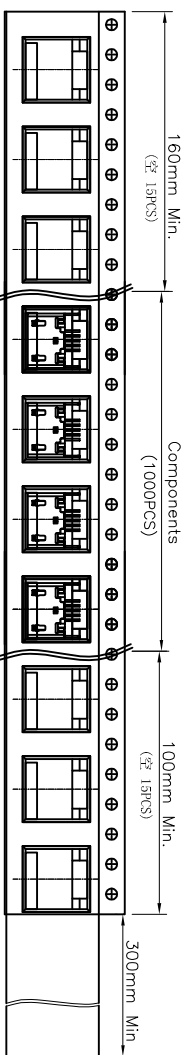
COVER TAPE
 PEELING ANGLE:165#180°
 PEELING FORCE:20~130g



PEAKING DIRECTION

USER DIRECTION

NO.	ECN NO.	DESCRIPTION	REV.	DRAW	DATE
1					
2					
3					



纸箱规格:360x360x220mm

CONNECTOR QTY(PCS)	REEL	CARTON
1000		10000

深圳市连欣科技有限公司

公差 TOLERANCE	比例 SCALE	张数 SHEET	单位 UNIT
±0.45	1:1	1/1	mm
±0.35			
±0.25			

设计 DESIGN	校对 CHECKED	版本 REV.	核准 APPROVED
		A0	

品名 TITLE	料号 ITEM NO.	图号 DWG NO.
USB-MICRO SPIN 立贴 三定位脚	XUDF-0418-023	LX-USB-023

X-ON Electronics

Largest Supplier of Electrical and Electronic Components

Click to view similar products for [USB Connectors](#) category:

Click to view products by [Lian Xin](#) manufacturer:

Other Similar products are found below :

[950](#) [MUSBD11135](#) [17-200721](#) [217450-1](#) [KMBVX-TH-5S-B30](#) [KUSBX-AS2N-W](#) [KUSBX-SMT2AP1S-W30](#) [935](#) [957](#) [30-498-6](#) [SK-60A-2](#)
[1734082-1](#) [30-470](#) [30-489](#) [30-541](#) [A-USB A-2P-C](#) [MIKROE-1451](#) [USBFTVSCCG](#) [1-1734084-2](#) [10135326-001LF](#) [4198](#) [USB-A-D-VT](#)
[USB-A-S-RA-TSMT](#) [1310-1023-02](#) [690-024-633-031](#) [UB-20PMFP-LC7001](#) [17-200011](#) [UB-20AFMM-LL7A01](#) [1040870124](#) [CAP-](#)
[WCCMLPB1](#) [CAP-WCCMLPC1](#) [2274475-3](#) [UB-20BMFA-SL8001](#) [914-614A2025S10200](#) [USB3FTV7SAGF059](#) [ZX40-B-5S-1500-](#)
[STDA\(30\)](#) [GSB3116344HR](#) [USB3FTV2SAZNF459](#) [USB3FTV7SAZNF459](#) [U221-041N-1WVS62-F5D](#) [HYCW153-USBD05-500B](#)
[HYCW219-USBD05-075B](#) [HYCW148-USBD05-117B](#) [HYCW149-USBD05-740B](#) [HYCW204-USBD05-108B](#) [HYCW214-USBA04-113B](#)
[HYCW213-USBA04-113B](#) [UB-20AMFM-SL7A01](#) [KMMX-BSMT35S-1-B30TR](#) [2345986-1](#)