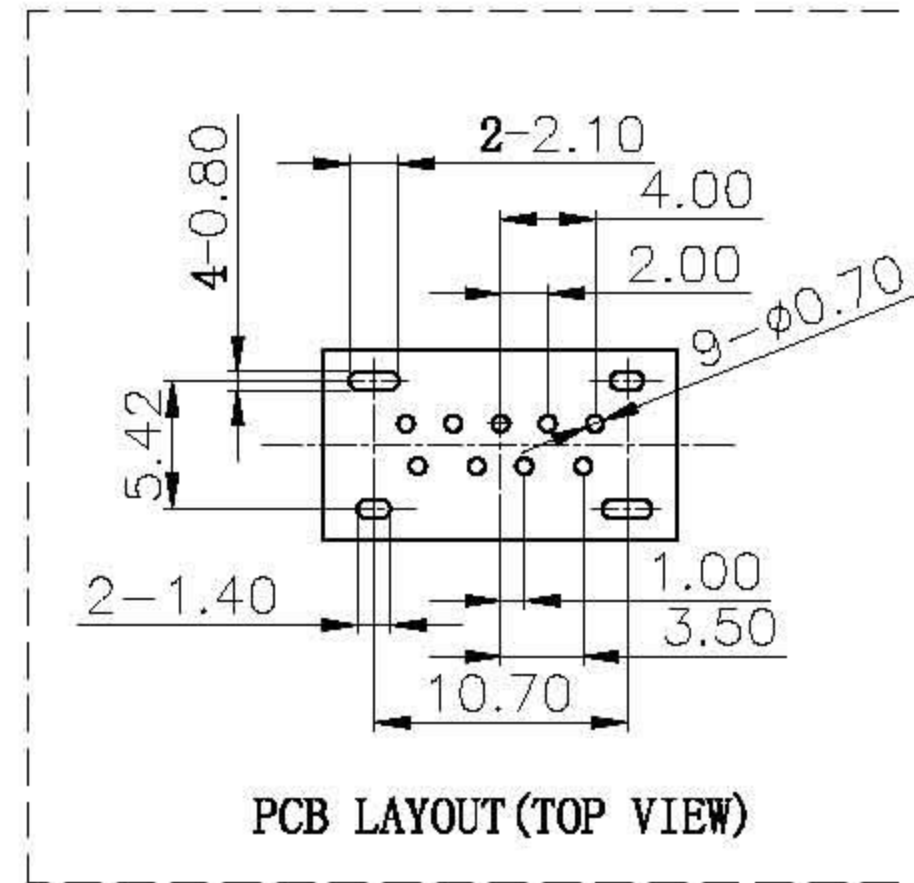
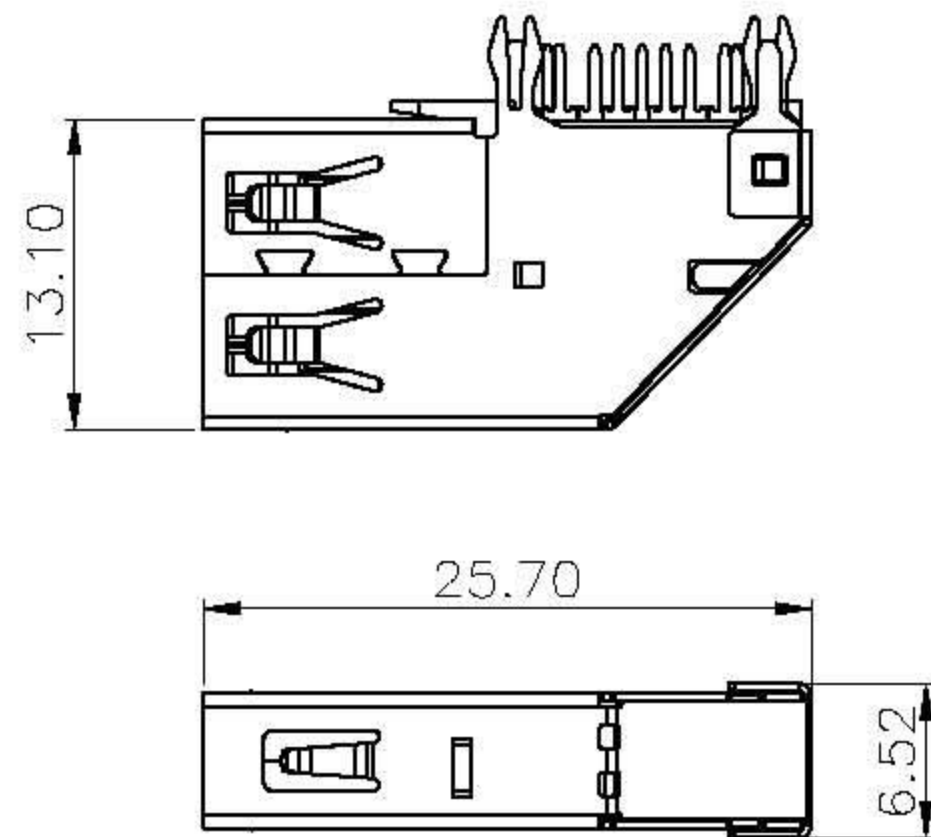


RoHS Compliant



SPECIFICATIONS:

Contact current Rating:

1.8 Amperes for pin1&pin4.

0.25 Amperes other contacts

Dielectric Withstanding Voltage:AC 100V(RMS)

Insulation resistance:100Megohms Minimum.

Contact Resistance:

30mΩ Max for pin1&pin4

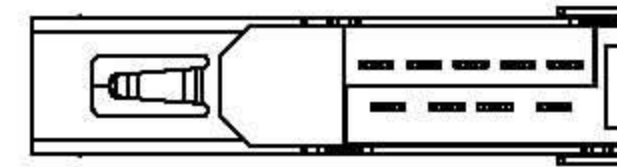
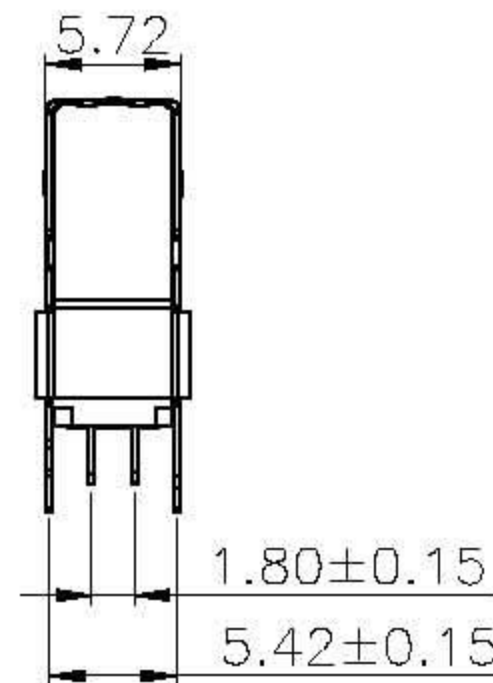
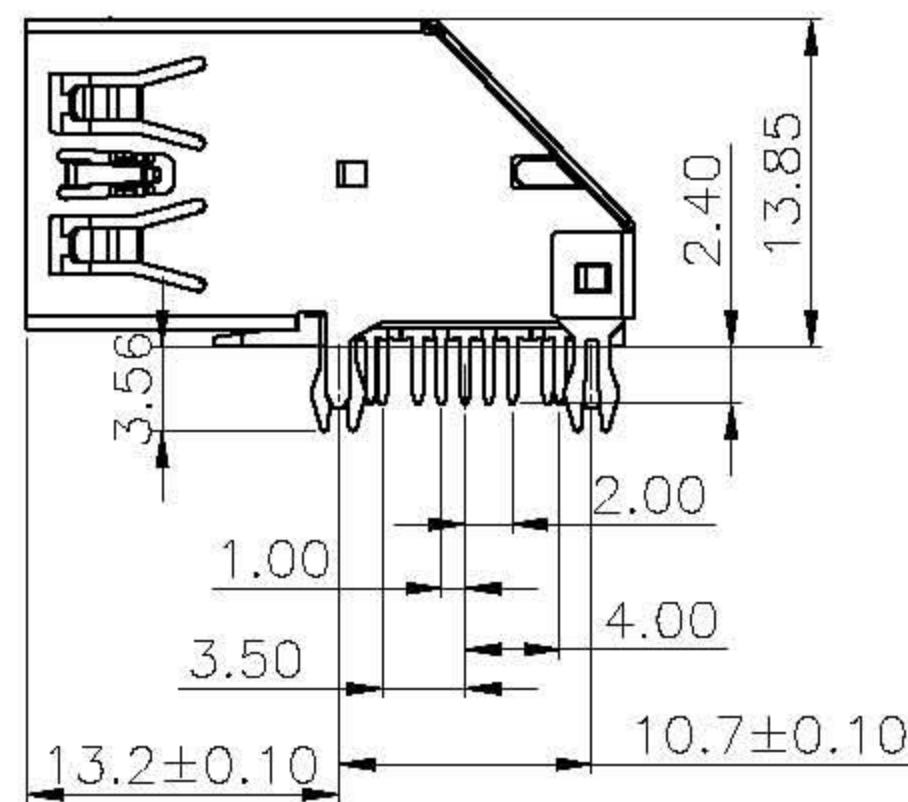
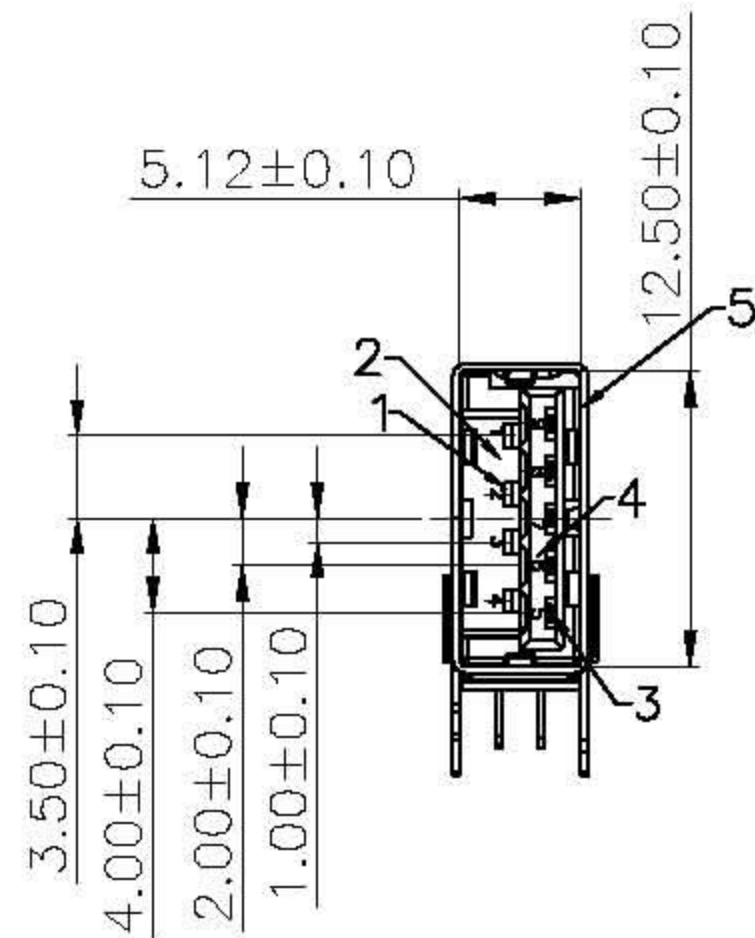
50mΩMax for other contacts

Mechanical Characteristics:

Mating Force:3.5 Newtons.Maximum

Unmating Force:10 Newtons.Minimum.

Operating Temperature:-55 °C+85 °C

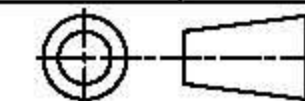


Pin Number	Signal Name	Pin Number	Signal Name
1	VBUS	5	SSRX-
2	D-	6	SSRX+
3	D+	7	GND
4	GND	8	SSTX-
Shell	Shield	9	SSRT+

ITEM	PART NAME	Material	QTY	REMARK
1	4P Semi-	Housing PBT	1	Black & Blue UL94V-0
2	manufactured Goods	Contact COPPER ALLOY	4	T=0.25 Plating Gld/Tin
3	5P Semi-	Housing PBT	1	Black & Blue UL94V-0
4	manufactured Goods	Contact COPPER ALLOY	5	T=0.25 Plating Gld/Tin
5	Shell	SUS304-1/2H	1	T=0.3

ECN. NO	REV	DATE	DESCRIPTION	CHANGED	APPROVED
	A	14.02.20	RELEASE		

DIM NO. Ⓢ	TOLERANCES UNLESS	
	X. ± 0.35	X° ± 3'
SCALE: 1:1	.X ± 0.25	.X° ± 2'
SHEET: 1 OF 1	.XX ± 0.25	.XX° ± 1'
UNIT: mm	.XXX ± 0.10	.XXX° ± 0.5'



L&X 深圳市连欣科技有限公司

DESIGN: Andy	DATE:	USB 3.0 AF 侧插90度 (外壳无卷边)
CHECKED:	DATE:	PART NO: XUSF-0936-0312
APPROVED:	DATE:	SIZE: A4
		DWG NO: XWG-903612A
		REV: A

X-ON Electronics

Largest Supplier of Electrical and Electronic Components

Click to view similar products for [USB Connectors](#) category:

Click to view products by [Lian Xin](#) manufacturer:

Other Similar products are found below :

[950](#) [MUSBD11135](#) [17-200721](#) [217450-1](#) [KMBVX-TH-5S-B30](#) [KUSBX-AS2N-W](#) [KUSBX-SMT2AP1S-W30](#) [935](#) [957](#) [30-498-6](#) [SK-60A-2](#)
[1734082-1](#) [30-470](#) [30-489](#) [30-541](#) [A-USB A-2P-C](#) [MIKROE-1451](#) [USBFTVSCCG](#) [1-1734084-2](#) [10135326-001LF](#) [4198](#) [USB-A-D-VT](#)
[USB-A-S-RA-TSMT](#) [1310-1023-02](#) [690-024-633-031](#) [UB-20PMFP-LC7001](#) [17-200011](#) [UB-20AFMM-LL7A01](#) [1040870124](#) [CAP-](#)
[WCCMLPB1](#) [CAP-WCCMLPC1](#) [2274475-3](#) [UB-20BMFA-SL8001](#) [914-614A2025S10200](#) [USB3FTV7SAGF059](#) [ZX40-B-5S-1500-](#)
[STDA\(30\)](#) [GSB3116344HR](#) [USB3FTV2SAZNF459](#) [USB3FTV7SAZNF459](#) [U221-041N-1WVS62-F5D](#) [HYCW153-USBD05-500B](#)
[HYCW219-USBD05-075B](#) [HYCW148-USBD05-117B](#) [HYCW149-USBD05-740B](#) [HYCW204-USBD05-108B](#) [HYCW214-USBA04-113B](#)
[HYCW213-USBA04-113B](#) [UB-20AMFM-SL7A01](#) [KMMX-BSMT35S-1-B30TR](#) [2345986-1](#)