

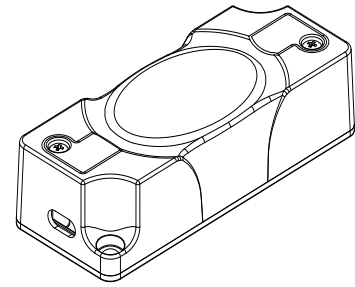
LED DRIVER DC CV, TERMINAL BLOCK
 LED 12 DC 12V
 LED 12 DC 24V

LED 12 DC 12V U
 LED 12 DC 24V U

LED

Features

1. Reinforced insulation from input to output.
2. High efficiency.
3. Fully protected: Short circuit, Input voltage surge, Thermal, Self-Resettable.
4. Fast start.



Applications

1. Led indoor lighting.
2. Architectural lighting.
3. Indication and orientation lighting.
4. Ambience lighting.



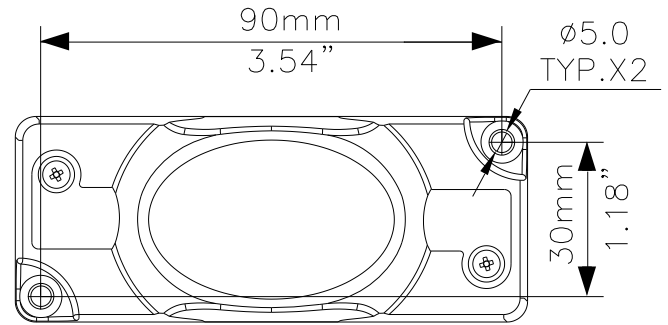
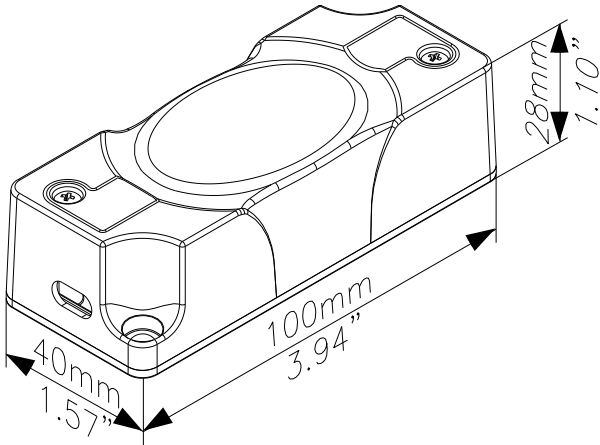
Specifications

SKU No.	901012012	901012012U	901012024	901012024U		
Version	12W 12V	12W 12V	12W 24V	12W 24V		
INPUT	VOLTAGE RANGE (V)	120-240	120-277	120-240	120-277	
	FREQUENCY RANGE (Hz)	50/60	50/60	50/60	50/60	
	POWER FACTOR	0,5	0,5	0,5	0,5	
	EFFICIENCY (Typ.) %	78	78	80	80	
	AC CURRENT (A)	0.22-0.14	0.22-0.13	0.22-0.14	0.22-0.13	
	INRUSH CURRENT LIMITER	NO				
OUTPUT	VOLTAGE (V) Note 3	11.3-13	11.3-13	21.8-25	21.8-25	
	CURRENT (A) Note 3	1	1	0,5	0,5	
	RATED POWER (W)	12				
DIMMABLE	YES/NO				NO	
PROTECTION	INPUT VOLTAGE SURGE				YES	
	OVER TEMPERATURE				YES	
	SHORT CIRCUIT PROTECTION				YES	
	REINFORCED INSULATION				YES	
ENVIRONMENT	Ta (°C)					-25...+35
	Tc (°C)					75
	WORKING HUMIDITY					IP20
	STORAGE TEMP.(°C)					-10...+70
STANDARDS	VDE SAFETY	PENDING	N/A	PENDING	N/A	
	VDE EMC	PENDING	N/A	PENDING	N/A	
	UL	N/A	PENDING	N/A	PENDING	
MECHANICAL	PLASTIC/ METAL CASE					PLASTIC
	INPUT WIRES COLOR					N/A
	INPUT WIRES SIZE					CABLE H03VVH-F 2CX0.75mm ²
	OUTPUT WIRE COLOR					N/A
	OUTPUT WIRE SIZE					CABLE H03VVH-F 2CX0.75mm ²
	WEIGHT					0.073kg
NOTE	1. All parameters are measured at rated input, rated load and 25°C of ambient temperature.					
	2. Specifications may vary from time to time without notice.					
	3. Tolerance: includes set up tolerance, line regulation and load regulation.					
	4. Subject to standard warranty, terms and conditions as published from time to time.					

LED DRIVER DC CV, TERMINAL BLOCK
LED 12 DC 12V
LED 12 DC 24V

LED 12 DC 12V U
LED 12 DC 24V U

Mechanical Drawing



Mounting Instructions

LED 12 DC 12V

LED 12 DC 24V

CABLE H03VVH-F
2CX0.75mm²

Safety Instructions

1. Always disconnect power before installation and/or removal of the unit.
2. Install in accordance with national and local electrical codes.

X-ON Electronics

Largest Supplier of Electrical and Electronic Components

Click to view similar products for [Display Drivers & Controllers](#) category:

Click to view products by [Lichtech](#) manufacturer:

Other Similar products are found below :

[ICB2FL01G](#) [LC74761M-9006-E](#) [MP3360DG-LF-P](#) [HV5812PJ-G-M904](#) [TW8813-LB2-GR](#) [TW8819AT-NA2-GR](#) [TW8811-PC2-GR](#)
[MAX1839EEP+](#) [TW9907-TA1-GR](#) [S1D13503F00A200](#) [MAX7370ETG+T](#) [LX27901IDW](#) [STVM100DC6F](#) [DS3994Z+T&R](#)
[S1D13515F00A100](#) [LX1686EIPW](#) [AM26C32IDR](#) [MAX7370ETG+](#) [LX1688IPW](#) [MAX1739EEP+](#) [MAX17126BETM+](#)
[MAX14515AEWA+T](#) [DS3992Z-18P](#) [BTM7710GXUMA1](#) [DS3881E+C](#) [S1D13742F01A200](#) [LX1688CPW](#) [MAX17126AETM+](#)
[MAX8729EEI+](#) [MAX7370ETG](#) [TIOS1013DMWR](#) [TLD5097EL](#) [HV857LK7-G](#) [TLD5097ELXUMA1](#) [AAT2823IBK-1-T1](#) [DLPA1000YFFT](#)
[ICB2FL01GXUMA2](#) [DLP2000FQC](#) [SC401U](#) [IR2117PBF](#) [PAD1000YFFR](#) [S1D13746F01A600](#) [S1D13748B00B100](#) [FIN324CMLX](#)
[STVM100DS6F](#) [HV850MG-G](#) [AD8138ARZ-R7](#) [AD8387JSVZ](#) [ADDI9023BBCZ](#) [ADM3202ARUZ-REEL7](#)