

### LED DRIVER DC POTTED LED 25 DC 12V EMD

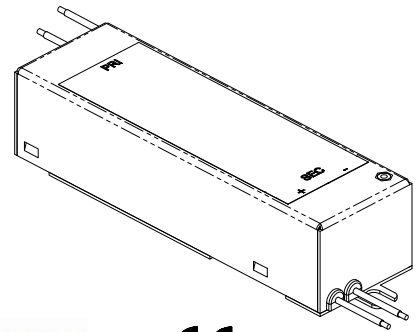
LED

#### Features

- Dimmable with Trailing Edge dimming
- Designed for IP67
- Reinforced insulation from input to output
- High efficiency
- PF: > 0.95
- Fully protected: Short circuit, Input voltage surge, Thermal, Overload regulation, Over voltage protection. Self-resettable
- AC/DC
- Soft start

#### Applications

- Led in- and outdoor lighting
- Street lighting
- Architectural lighting
- Signage
- Indication and orientation lighting
- Ambience lighting

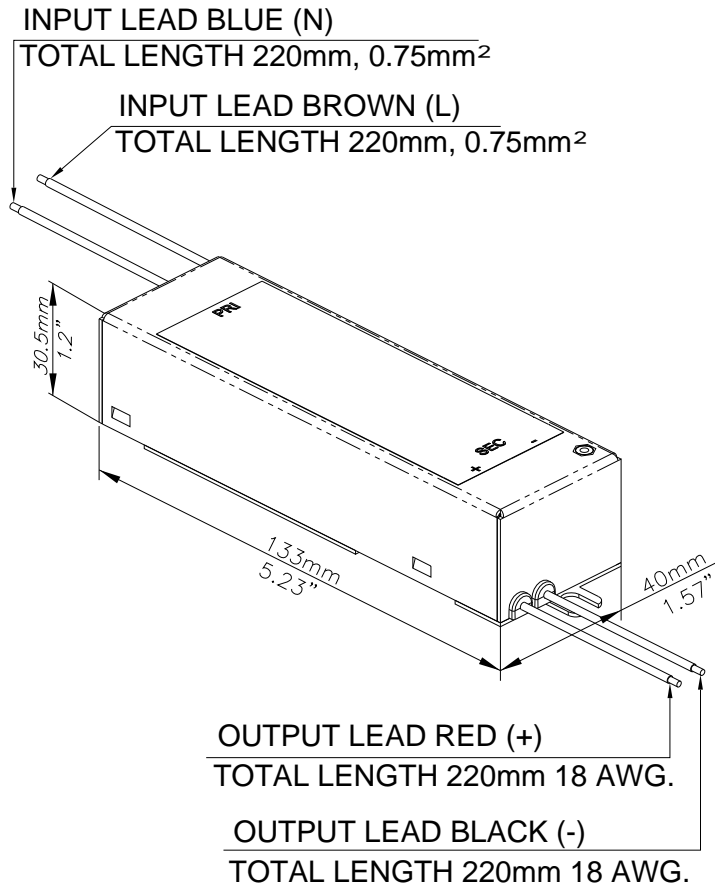


#### Specifications

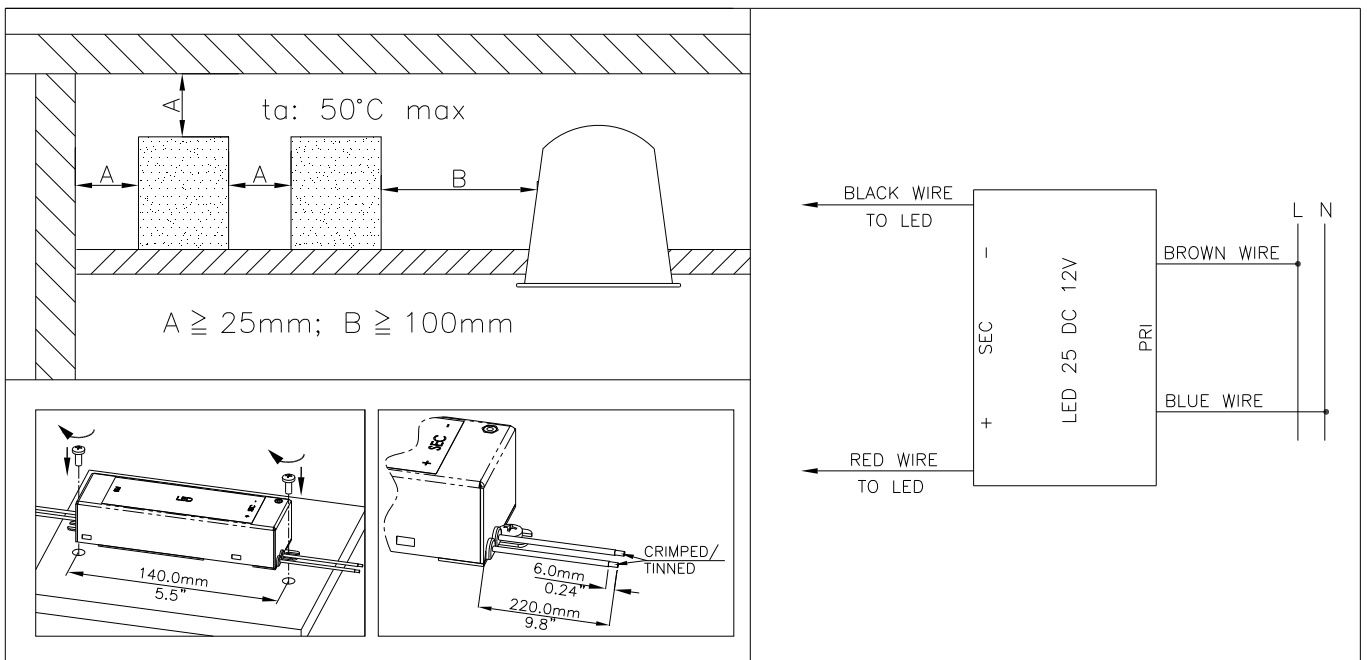
VERSION		25 WATT 12V
SKU		901025012EMD
INPUT	VOLTAGE RANGE (V)	220-240
	FREQUENCY RANGE (Hz)	0/50/60
	POWER FACTOR	0.95
	EFFICIENCY (Typ.)%	84
	AC CURRENT (A)	0.15
	INRUSH CURRENT (A)	-
OUTPUT	VOLTAGE (V) Note 3	12
	CURRENT (A) Note 3	2
	RATED POWER (W)	25
DIMMABLE	REVERSE PHASE CONTROL (TRAILING EDGE)	YES (10-20%)*
PROTECTION	INPUT VOLTAGE SURGE	YES
	OVER TEMPERATURE	YES
	SHORT CIRCUIT PROTECTION	YES
	REINFORCED INSULATION	YES
ENVIRONMENT	Ta (°C)	-25...+50
	Tc (°C)	90
	WORKING HUMIDITY	IP67
	STORAGE TEMP. (°C)	-10...+70
STANDARDS	VDE SAFETY	N/A
	VDE EMC	N/A
	UL	N/A
MECHANICAL	PLASTIC/ METAL CASE	METAL
	INPUT WIRES COLOR	BRW/BLU
	INPUT WIRES SIZE	0.75mm <sup>2</sup>
	OUTPUT WIRE COLOR	BLK/RED
	OUTPUT WIRE SIZE	18AWG
	WEIGHT	0.29kg
NOTE	1. All parameters are measured at rated input, rated load and 25°C of ambient temperature. 2. Specifications may vary from time to time without notice. 3. Tolerance: includes set up tolerance, line regulation and load regulation. 4. Subject to standard warranty, terms and conditions as published from time to time. 5. * Depend on dimmer. Contact your sales representative for further details.	

**Mechanical Drawing**

**LED 25W 12V EMD**



**Mounting Instructions**



**Safety Instructions**

1. Always disconnect power before installation and/or removal of the unit.
2. Install in accordance with national and local electrical codes.

## X-ON Electronics

Largest Supplier of Electrical and Electronic Components

*Click to view similar products for [Display Drivers & Controllers](#) category:*

*Click to view products by [Lichtech](#) manufacturer:*

Other Similar products are found below :

[ICB2FL01G](#) [LC74761M-9006-E](#) [MP3360DG-LF-P](#) [HV5812PJ-G-M904](#) [TW8813-LB2-GR](#) [TW8819AT-NA2-GR](#) [TW8811-PC2-GR](#)  
[MAX1839EEP+](#) [TW9907-TA1-GR](#) [S1D13503F00A200](#) [MAX7370ETG+T](#) [LX27901IDW](#) [STVM100DC6F](#) [DS3994Z+T&R](#)  
[S1D13515F00A100](#) [LX1686EIPW](#) [AM26C32IDR](#) [MAX7370ETG+](#) [LX1688IPW](#) [MAX1739EEP+](#) [MAX17126BETM+](#)  
[MAX14515AEWA+T](#) [DS3992Z-18P](#) [BTM7710GXUMA1](#) [DS3881E+C](#) [S1D13742F01A200](#) [LX1688CPW](#) [MAX17126AETM+](#)  
[MAX8729EEI+](#) [MAX7370ETG](#) [TIOS1013DMWR](#) [TLD5097EL](#) [HV857LK7-G](#) [TLD5097ELXUMA1](#) [AAT2823IBK-1-T1](#) [DLPA1000YFFT](#)  
[ICB2FL01GXUMA2](#) [DLP2000FQC](#) [SC401U](#) [IR2117PBF](#) [PAD1000YFFR](#) [S1D13746F01A600](#) [S1D13748B00B100](#) [FIN324CMLX](#)  
[STVM100DS6F](#) [HV850MG-G](#) [AD8138ARZ-R7](#) [AD8387JSVZ](#) [ADDI9023BBCZ](#) [ADM3202ARUZ-REEL7](#)