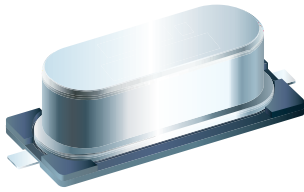




利明
49MD 系列



Type
12.5 x 4.5 mm Crystal

FEATURE

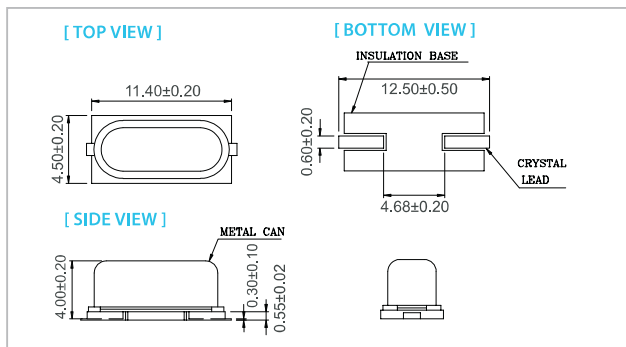
- Typical 12.5 x 4.5 x 4.0 mm metal can SMD package.
- 24mm width Tape & Reel package for automatic assembly.

TYPICAL APPLICATION

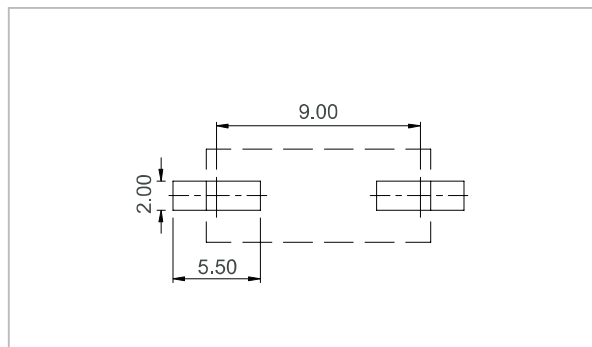
- Automotive
- Bluetooth, Wireless
- Computers, Modems, Communications
- Set-top Box, DECT/WDCT

Frequency range	3.00~100.00MHZ
Load Capacitance	Series, 6~32pf, or specify
Frequency Tolerance(at25 °C)	± 10 PPM± 20 PPM± 30 PPM or specify
Frequency stability Over Operating Temperature Range	± 10 PPM± 20 PPM± 30 PPM or specify
Operating Temperature Range	-20~+70°C -40~+85°C or specify
Storage Temperature Range	-40~+85°C
Shunt Capacitance(C0)	7pf-Max
Drive Level	1~1000uW (100uW typical)
Insulation Resistance	500m Minimum at 100VDC
Aging(at25°C)	± 3PPM/year Max.

DIMENSION (mm)



SOLDER PAD LAYOUT (mm)



ELECTRICAL SPECIFICATION

Parameter	Min.	Typical	Max.	Unit
Storage Temp. Range	-55	-	125	°C
Standard Frequency	4.096, 10.368, 16, 25, 32, 48			MHz
Level of Drive	-	10	800	µw
Shunt Capacitance (Co)	-	-	7.0	pF
Insulation Resistance	500 MΩ @ DC100V	-	-	
Aging (@25°C 1 st year)		±5.0		ppm / year

FREQ. STABILITY vs. TEMP. RANGE

Temp. (°C)	ppm	±5	±10	±15	±20
-10 ~ +60		×	○	○	○
-20 ~ +70		×	△	○	○
-40 ~ +85		×	×	×	○



Model Numbering Guide – Crystal Units

Available options

①	②	③	④		⑤						
Type	package (mm)	Frequency range	Load Capacitance (pF)	Freq. Tol. @25°C (ppm)	Freq. Stability (ppm)	Temp. Range(°C)	Special Requirement	Oscillator Mode	Appearance	Lead Free	Dash
1612	1.6x1.2	3.00~100.00MHZ	6	± 5	± 5	A:-20~+70 B:-40~+85 J:-40~+105	For Automotive Spurious Dld No special Pullability Several	AT Fundamental At3rd Overtone	Normal	Rohs Compliant	-
2016	2.0x1.6		7	± 10	± 10						
2520	2.5x2.0		8	± 15	± 15						
3225	3.2x2.5		9	± 20	± 20						
5032	5.0x3.2(4pads)		10	± 25	± 25						
6035	6.0x3.5		12	± 30	± 30						
3225	3.2x2.5(2pads)		15	± 40	± 40						
5032	5.0x3.2(2pads)		16	± 50	± 50						
8045	8.0x4.5		18	± 100	± 100						
49S	11.1x4.68		20	± 150	± 150						
49SS	11.05x4.65x2.5		22								
49MD	13.0x4.85		25								
49SSMD	12.2x4.8x3.0		30								
			32								

产品编号: - - - -

① ② ③ ④ ⑤
 ①型号 ②频率 ③负载电容 ④频率稳定度(X10⁻⁶, +25°C) ⑤温度
 范例: 49MD-12.00-20-20-20/A
 ① ② ③ ④ ⑤

X-ON Electronics

Largest Supplier of Electrical and Electronic Components

Click to view similar products for [Crystals](#) category:

Click to view products by [Liming](#) manufacturer:

Other Similar products are found below :

[CX3225GB25000M0PPSZ1](#) [718-13.2-1](#) [7A-40.000MAAE-T](#) [FL2000085](#) [99-BU](#) [9B-15.360MBBK-B](#) [9C-7.680MBBK-T](#) [H10S-12.000-18-EXT-TR](#) [ABC2-6.000MHZ-D4Z-T](#) [ABLS-20.000MHZ-D2-T](#) [ABS071-32.768KHZ-6-T](#) [R38-32.768-12.5-5PPM-NPB](#) [BTD1062E05A-513](#) [21U15A-21.4MHZ](#) [RTX-781DF1-S-20.950](#) [LFXTAL066198Cutt](#) [9C-14.31818MBBK-T](#) [A-11.000MHZ-27](#) [ABL-27.000MHZ-B4Y-T](#) [ABM11-132-24.000MHZ-T3](#) [ABM3B1-25.000MHZ-D2Y-T](#) [SPT2A-.032768B](#) [SPT2A.032768G](#) [LFXTAL065253Cutt](#) [LFXTAL066431Cutt](#) [XT9S20ANA14M7456](#) [XT9SNLANA16M](#) [7A-24.576MBBK-T](#) [7B-30.000MBBK-T](#) [CX2520DB16000H0HPQCC](#) [MMCC2R32.7680KHZ](#) [6504-202-1501](#) [6526-202-1501](#) [ABLS-12.000MHZ-B2Y-T](#) [7A-10.000MBBK-T](#) [SG636PCE-20.000MC](#) [3404](#) [CM315D32768EZFT](#) [C1E-24.000-7-2020-R](#) [C1E-19.200-12-1530-X-R](#) [C1E-16.000-12-1530-X-R](#) [ABM11-16.000MHZ-9-B1U-T](#) [FL5000014](#) [EUCA18-3.1872M](#) [FX0800015](#) [425F35E027M0000](#) [FP0800018](#) [MS3V-T1R-32.768kHz-7pF-20PPM-TA-QC-Au](#) [VXM7-1C1-16M000](#) [MS3V-T1R-32.768kHz-9pF-20PPM-TA-QC-Au](#)