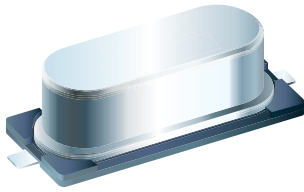




利明
49MD 系列



Type
12.5 x 4.5 mm Crystal

FEATURE

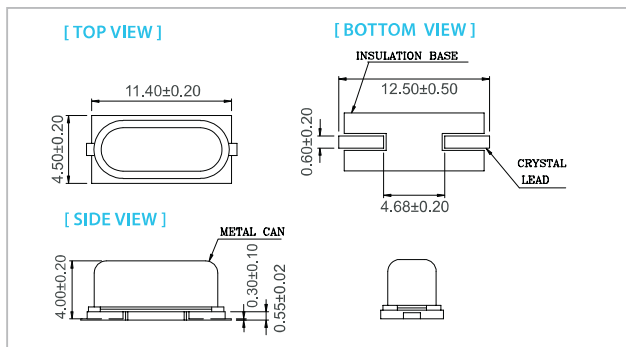
- Typical 12.5 x 4.5 x 4.0 mm metal can SMD package.
- 24mm width Tape & Reel package for automatic assembly.

TYPICAL APPLICATION

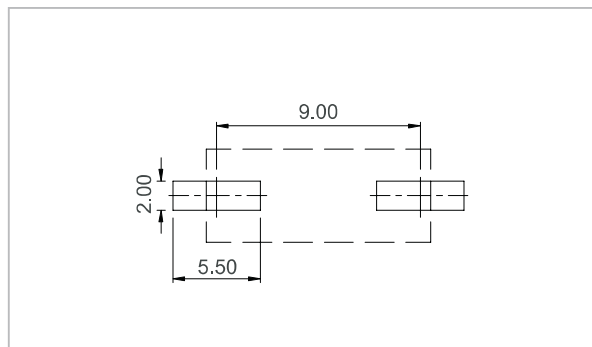
- Automotive
- Bluetooth, Wireless
- Computers, Modems, Communications
- Set-top Box, DECT/WDCT

Frequency range	3.00~100.00MHZ
Load Capacitance	Series, 6~32pf, or specify
Frequency Tolerance(at25 °C)	± 10 PPM± 20 PPM± 30 PPM or specify
Frequency stability Over Operating Temperature Range	± 10 PPM± 20 PPM± 30 PPM or specify
Operating Temperature Range	-20~+70°C -40~+85°C or specify
Storage Temperature Range	-40~+85°C
Shunt Capacitance(C0)	7pf-Max
Drive Level	1~1000uW (100uW typical)
Insulation Resistance	500m Minimum at 100VDC
Aging(at25°C)	± 3PPM/year Max.

DIMENSION (mm)



SOLDER PAD LAYOUT (mm)



ELECTRICAL SPECIFICATION

Parameter	Min.	Typical	Max.	Unit
Storage Temp. Range	-55	-	125	°C
Standard Frequency	4.096, 10.368, 16, 25, 32, 48			MHz
Level of Drive	-	10	800	µw
Shunt Capacitance (Co)	-	-	7.0	pF
Insulation Resistance	500 MΩ @ DC100V			
Aging (@25°C 1 st year)	±5.0			ppm / year

FREQ. STABILITY vs. TEMP. RANGE

Temp. (°C)	ppm	±5	±10	±15	±20
-10 ~ +60		×	○	○	○
-20 ~ +70		×	△	○	○
-40 ~ +85		×	×	×	○



Model Numbering Guide – Crystal Units

Available options

①	②	③	④		⑤						
Type	package (mm)	Frequency range	Load Capacitance (pF)	Freq. Tol. @25°C (ppm)	Freq. Stability (ppm)	Temp. Range(°C)	Special Requirement	Oscillator Mode	Appearance	Lead Free	Dash
1612	1.6x1.2	3.00~100.00MHZ	6	± 5	± 5	A:-20~+70 B:-40~+85 J:-40~+105	For Automotive Spurious Dld No special Pullability Several	AT Fundamental At3rd Overtone	Normal	Rohs Compliant	-
2016	2.0x1.6										
2520	2.5x2.0										
3225	3.2x2.5										
5032	5.0x3.2(4pads)										
6035	6.0x3.5										
3225	3.2x2.5(2pads)										
5032	5.0x3.2(2pads)										
8045	8.0x4.5										
49S	11.1x4.68										
49SS	11.05x4.65x2.5										
49MD	13.0x4.85										
49SSMD	12.2x4.8x3.0										

产品编号： - - - -

① 型号 ② 频率 ③ 负载电容 ④ 频率稳定度 (X10⁻⁶, +25°C) ⑤ 温度

范例： 49MD-12.00-20-20-20/A

① ② ③ ④ ⑤

X-ON Electronics

Largest Supplier of Electrical and Electronic Components

Click to view similar products for [Resonators](#) category:

Click to view products by [Liming](#) manufacturer:

Other Similar products are found below :

[B39431R820H210](#) [CSAC2.00MGCM-TC](#) [ECS-HFR-40.00-B-TR](#) [CSTLS4M00G53Z-A0](#) [ZTB455E](#) [ECS-CR2-16.00-A-TR](#) [ECS-HFR-20.00-B-TR](#) [ECS-CR2-20.00-A-TR](#) [RO3164E-3](#) [ASR418S2-T](#) [CSTNE10M0G520000R0](#) [CSTLS8M00G53093-A0](#) [CSTNE12M0G52A000R0](#) [CSTLS18M4X54-A0](#) [CSTLS16M9X53Z-B0](#) [CSTLS24M0X51-A0](#) [CSTLS25M0X51-B0](#) [CSTLS18M0X51-B0](#) [CSTLS4M00G53093-A0](#) [CSTLS18M4X53-A0](#) [CSTNE16M0V510000R0](#) [CSTLS30M0X53-B0](#) [CSTLS33M8X53-B0](#) [CSTLS16M9X53-A0](#) [CSTLS6M40G56-B0](#) [CSTLS6M25G56-A0](#) [CSTNE14M7V510000R0](#) [CSTLS18M4X53-B0](#) [CSTLS33M0X51-B0](#) [CSTLS5M50G56-B0](#) [7B008000I01](#) [7D038400I01](#) [TAXM24M2ILDBET2T](#) [TAXM26M2IHDBET2T](#) [146-32.768-12.5-20-20/A](#) [3225-24.00-12-10-10/A](#) [7B009843M01](#) [CF4016M00009T8188042](#) [S32400001B0730D1JB](#) [X252016MLB4SI](#) [Q24FA20H00389](#) [CSTLS16M0X54-B0](#) [CSTLS4M19G56-B0](#) [9AC04194152080D2JB](#) [CST3.58MGW](#) [CSTCR4M91G55B-R0](#) [CSTLS3M68G56-B0](#) [S2100327072090](#) [FC-12M32.768KHZ9PF20PPM](#) [7Y032768NW2](#)