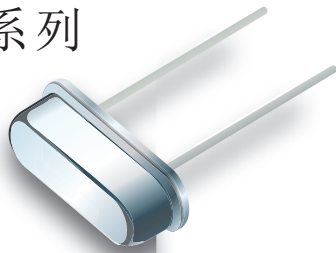




49S 系列



Type
10.8 x 4.5 mm Crystal

FEATURE

- Typical 10.8 x 4.5 x 3.4 mm standard footprint.
- Low profile for close PCB stacking.

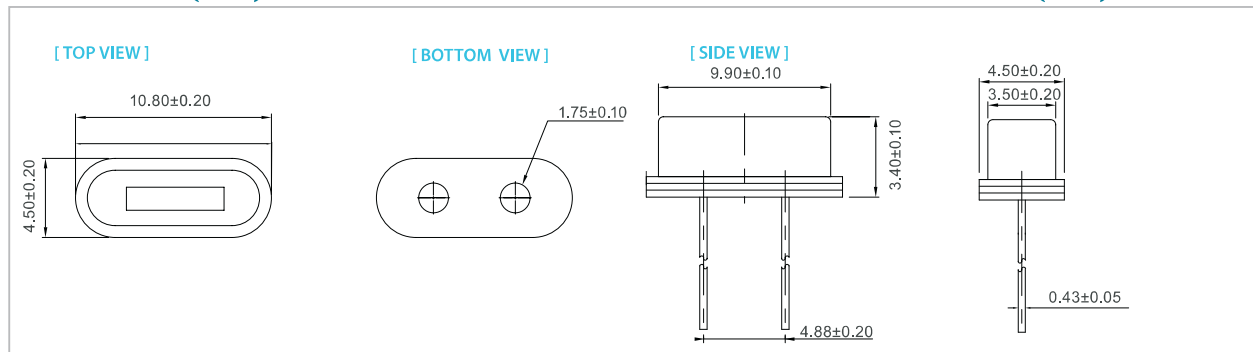
TYPICAL APPLICATION

- Automotive
- Bluetooth, Wireless
- Computers, Modems, Communications
- Set-top Box, DECT/WDCT

Frequency range	3.00~100.00MHZ
Load Capacitance	Series, 6~32pf, or specify
Frequency Tolerance(at25 °C)	± 10 PPM± 20 PPM± 30 PPM or specify
Frequency stability Over Operating Temperature Range	± 10 PPM± 20 PPM± 30 PPM or specify
Operating Temperature Range	-20~+70°C -40~+85°C or specify
Storage Temperature Range	-40~+85°C
Shunt Capacitance(C0)	7pf-Max
Drive Level	1~1000uW (100uW typical)
Insulation Resistance	500m Minimum at 100VDC
Aging(at25°C)	± 3PPM/year Max.

DIMENSION (mm)

SOLDER PAD LAYOUT (mm)



ELECTRICAL SPECIFICATION

Parameter	Min.	Typical	Max.	Unit
Storage Temp. Range	-55	-	125	°C
Level of Drive	-	10	800	µw
Shunt Capacitance (Co)	-	-	7.0	pF
Insulation Resistance	500 MΩ @ DC100V	-	-	
Aging		±5		ppm / year

FREQ. STABILITY vs. TEMP. RANGE

Temp. (°C)	ppm	±5	±10	±15	±20
-10 ~ +60		×	○	○	○
-20 ~ +70		×	△	○	○
-40 ~ +85		×	×	×	○



Model Numbering Guide – Crystal Units

Available options

①	②	③	④		⑤						
Type	package (mm)	Frequency range	Load Capacitance (pF)	Freq. Tol. @25°C (ppm)	Freq. Stability (ppm)	Temp. Range(°C)	Special Requirement	Oscillator Mode	Appearance	Lead Free	Dash
1612	1.6x1.2	3.00~100.00MHZ	6	±5	±5	A:-20~+70 E:-40~+85 J:-40~+105	For Automotive Spurious DLD No Special Pullability Several	AT Fundamental AT 3 rd Overtone	Normal	RoHs Compliant	-
2016	2.0x1.6		7	±10	±10						
2520	2.5x2.0		8	±15	±15						
3225	3.2x2.5		9	±20	±20						
5032	5.0x3.2 (4Pads)		10	±25	±25						
6035	6.0x3.5		12	±30	±30						
3225	3.2x2.5		15	±40	±40						
5032	5.0x3.2 (2Pads)		16	±50	±50						
8045	8.0x4.5		18	±100	±100						
49S	11.1x4.68		20	±150	±150						
49MD	13.0x4.85		22		±150 above						

产品编号： - - - -

① ② ③ ④ ⑤
 ①型号 ②频率 ③负载电容 ④频率稳定度(X10⁻⁶, +25°C) ⑤温度

范例： 49MD-12.00-20-20-20/A
 ① ② ③ ④ ⑤

X-ON Electronics

Largest Supplier of Electrical and Electronic Components

Click to view similar products for [Crystals](#) category:

Click to view products by [Liming](#) manufacturer:

Other Similar products are found below :

[CX3225GB25000M0PPSZ1](#) [718-13.2-1](#) [MC405 32.0000K-R3:PURE SN](#) [7A-40.000MAAE-T](#) [FL2000085](#) [99-BU](#) [9B-15.360MBBK-B](#) [9C-7.680MBBK-T](#) [H10S-12.000-18-EXT-TR](#) [ABC2-6.000MHZ-D4Z-T](#) [ABLS-20.000MHZ-D2-T](#) [ABS071-32.768KHZ-6-T](#) [R38-32.768-12.5-5PPM-NPB](#) [BTD1062E05A-513](#) [21U15A-21.4MHZ](#) [RTX-781DF1-S-20.950](#) [LFXTAL066198Cutt](#) [9C-14.31818MBBK-T](#) [A-11.000MHZ-27](#) [ABL-27.000MHZ-B4Y-T](#) [ABM11-132-24.000MHZ-T3](#) [ABM3B1-25.000MHZ-D2Y-T](#) [SPT2A-.032768B](#) [SPT2A.032768G](#) [SSPT7F-9PF20-R](#) [FX325BS-38.88EEM1201](#) [LFXTAL065253Cutt](#) [LFXTAL066431Cutt](#) [XT9S20ANA14M7456](#) [XT9SNLANA16M](#) [646G-24-2](#) [7A-24.576MBBK-T](#) [7B-30.000MBBK-T](#) [7A-14.31818MBBK-T](#) [6504-202-1501](#) [6526-202-1501](#) [ABLS-12.000MHZ-B2Y-T](#) [ABLS-10.000MHZ-D3W-T](#) [7A-10.000MBBK-T](#) [SG636PCE-20.000MC](#) [3404](#) [E1SAA18-25.000M TR](#) [CM315D32768EZFT](#) [C1E-24.000-7-2020-R](#) [C1E-19.200-12-1530-X-R](#) [C1E-16.000-12-1530-X-R](#) [FL5000014](#) [EUCA18-3.1872M](#) [FX0800015](#) [425F35E027M0000](#)