



49SSMD Series

Type 12.2x4.8x3.0mm crystal

FEATURE

- Typical 12.2x4.8x3.0mm metal can SMD package.
- 24mm width Tape & Reel package for automatic assembly.

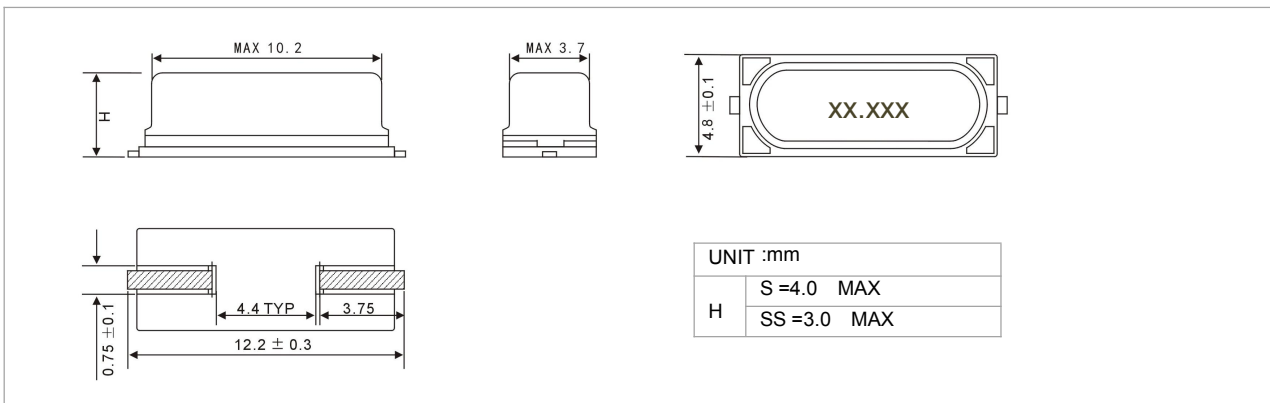
TYPICAL APPLICATION

- Automotive
- Bluetooth, Wireless
- Computers, Modems, Communications
- Set-top Box, DECT/WDCT



| | |
|--|-------------------------------------|
| Frequency range | 3.00~100.00MHZ |
| Load Capacitance | Series, 6~32pf, or specify |
| Frequency Tolerance(at25 °C) | ± 10 PPM± 20 PPM± 30 PPM or specify |
| Frequency stability Over Operating Temperature Range | ± 10 PPM± 20 PPM± 30 PPM or specify |
| Operating Temperature Range | -20~+70°C -40~+85°C or specify |
| Storage Temperature Range | -40~+85°C |
| Shunt Capacitance(C0) | 7pf-Max |
| Drive Level | 1~1000uW (100uW typical) |
| Insulation Resistance | 500m Minimum at 100VDC |
| Aging(at25°C) | ± 3PPM/year Max. |

Mechanical Dimensions and Marking



ELECTRICAL SPECIFICATION

| Parameter | Min. | Typical | Max. | Unit |
|------------------------|-------------------------------|---------|------|------------|
| Storage Temp. Range | -55 | - | 125 | °C |
| Standard Frequency | 4.096, 10.368, 16, 25, 32, 48 | | | MHz |
| Level of Drive | - | 10 | 800 | µw |
| Shunt Capacitance (Co) | - | - | 7.0 | pF |
| Insulation Resistance | 500 MΩ @ DC100V | | | - |
| Aging (@25°C 1* year) | ±5.0 | | | ppm / year |

FREQ. STABILITY vs. TEMP. RANGE

| Temp.(°C) | ppm | ±5 | ±10 | ±15 | ±20 |
|-----------|-----|----|-----|-----|-----|
| -10 ~ +60 | | × | ○ | ○ | ○ |
| -20 ~ +70 | | × | △ | ○ | ○ |
| -40 ~ +85 | | × | × | × | ○ |



Model Numbering Guide – Crystal Units

Available options

| ① | ② | ③ | ④ | | ⑤ | | | | | | |
|--------|----------------|-----------------|-----------------------|------------------------|-----------------------|--------------------------------------|--|-------------------------------|------------|----------------|------|
| Type | package (mm) | Frequency range | Load Capacitance (pF) | Freq. Tol. @25°C (ppm) | Freq. Stability (ppm) | Temp. Range(°C) | Special Requirement | Oscillator Mode | Appearance | Lead Free | Dash |
| 1612 | 1.6x1.2 | 3.00~100.00MHZ | 6 | ± 5 | ± 5 | A:-20~+70 B:-40~+85 J:-40~+105 | For Automotive Spurious Dld No special Pullability Several | AT Fundamental At3rd Overtone | Normal | Rohs Compliant | - |
| 2016 | 2.0x1.6 | | | | | | | | | | |
| 2520 | 2.5x2.0 | | | | | | | | | | |
| 3225 | 3.2x2.5 | | | | | | | | | | |
| 5032 | 5.0x3.2(4pads) | | | | | | | | | | |
| 6035 | 6.0x3.5 | | | | | | | | | | |
| 3225 | 3.2x2.5(2pads) | | | | | | | | | | |
| 5032 | 5.0x3.2(2pads) | | | | | | | | | | |
| 8045 | 8.0x4.5 | | | | | | | | | | |
| 49S | 11.1x4.68 | | | | | | | | | | |
| 49SS | 11.05x4.65x2.5 | | | | | | | | | | |
| 49MD | 13.0x4.85 | | | | | | | | | | |
| 49SSMD | 12.2x4.8x3.0 | | | | | | | | | | |

产品编号: - - - -

① 型号 ② 频率 ③ 负载电容 ④ 频率稳定度 (X10⁻⁶, +25°C) ⑤ 温度

范例: 49SSMD-12.00-20-20-20/A

① ② ③ ④ ⑤

X-ON Electronics

Largest Supplier of Electrical and Electronic Components

Click to view similar products for [Resonators](#) category:

Click to view products by [Liming](#) manufacturer:

Other Similar products are found below :

[B39431R820H210](#) [CSAC2.00MGCM-TC](#) [ECS-HFR-40.00-B-TR](#) [CSTLS4M00G53Z-A0](#) [ZTB455E](#) [ECS-CR2-16.00-A-TR](#) [ECS-HFR-20.00-B-TR](#) [ECS-CR2-20.00-A-TR](#) [RO3164E-3](#) [ASR418S2-T](#) [CSTNE10M0G520000R0](#) [CSTLS8M00G53093-A0](#) [CSTNE12M0G52A000R0](#) [CSTLS18M4X54-A0](#) [CSTLS16M9X53Z-B0](#) [CSTLS24M0X51-A0](#) [CSTLS25M0X51-B0](#) [CSTLS18M0X51-B0](#) [CSTLS4M00G53093-A0](#) [CSTLS18M4X53-A0](#) [CSTNE16M0V510000R0](#) [CSTLS30M0X53-B0](#) [CSTLS33M8X53-B0](#) [CSTLS16M9X53-A0](#) [CSTLS6M40G56-B0](#) [CSTLS6M25G56-A0](#) [CSTNE14M7V510000R0](#) [CSTLS18M4X53-B0](#) [CSTLS33M0X51-B0](#) [CSTLS5M50G56-B0](#) [7B008000I01](#) [7D038400I01](#) [TAXM24M2ILDBET2T](#) [TAXM26M2IHDBET2T](#) [146-32.768-12.5-20-20/A](#) [3225-24.00-12-10-10/A](#) [7B009843M01](#) [CF4016M00009T8188042](#) [S32400001B0730D1JB](#) [X252016MLB4SI](#) [Q24FA20H00389](#) [CSTLS16M0X54-B0](#) [CSTLS4M19G56-B0](#) [9AC04194152080D2JB](#) [CST3.58MGW](#) [CSTCR4M91G55B-R0](#) [CSTLS3M68G56-B0](#) [S2100327072090](#) [FC-12M32.768KHZ9PF20PPM](#) [7Y032768NW2](#)