

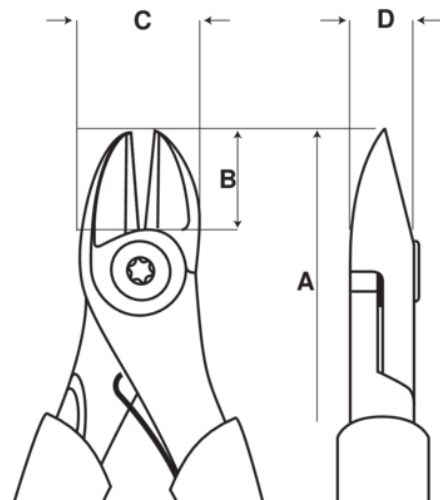


P6160 ERGO™ Precision Diagonal Plastic Cutters





PRODUCT DETAILS

- Side cutting pliers developed according to the scientific ERGO™ process
- ERGO™ handles with two-component combination, thermoplastic surface on tough polypropylene to give a superior grip
- Full flush cutting edge without bevelling designed to smoothly cut all kinds of plastic parts
- Cutting capacity: Cu 1.5 mm & plastic material PA (Nylon) 3 mm
- High performance alloyed steel
- Phosphate finish, anti-corrosion treated
- Screw joint provides excellent running & accurate alignment of the cutting edges
- Round shaped jaws give improved accessibility in confined spaces
- induction-hardened cutting edges
- Equipped with a return spring featuring & on/off function
- Dimensions according to ISO 5749



PRODUCT ATTRIBUTES

Product: **P6160**

| | | | | | |
|---|-----------|---|----------|---|----------|
|  | Oval |  | L | A | 160.0 mm |
| A | 6.3 in | B | 18 mm | B | 0,7 in |
| C | 21,5 mm | C | 0.85 in | D | 10 mm |
| D | 0,39 inch |  | 1.5 mm |  | 0.059 in |
|  | 3.0 mm |  | 0.118 in |  | Flush |
|  | 162 g | | | | |

X-ON Electronics

Largest Supplier of Electrical and Electronic Components

Click to view similar products for [Pliers & Tweezers](#) category:

Click to view products by [Lindstrom](#) manufacturer:

Other Similar products are found below :

[0026](#) [T0058765801](#) [80](#) [76C](#) [378MN](#) [L4VN](#) [LN54VN](#) [NN7776VN](#) [54CGVN](#) [SN55VN](#) [DRP10N](#) [0036](#) [PN 5050/21D](#) [TR 20 VM](#) [TR 25 A](#)
[505BGC](#) [622TX](#) [43450](#) [8140 CO](#) [8150 CO](#) [8165 CO](#) [32BSA25](#) [5BSAF](#) [5FSA](#) [5MBS](#) [M4AS](#) [017610101](#) [PN 5025](#) [65516300](#) [1-84-199](#)
[YT-2469](#) [011640100](#) [010480315](#) [503 618 3](#) [PGT435](#) [5000522](#) [011770113](#) [011770101](#) [CPE.A4](#) [T3781](#) [189A.17VE](#) [PPR 5003 D](#) [131 010 2](#)
[40603GP](#) [011780102](#) [45705](#) [CPES](#) [6151](#) [181A.18CPE](#) [391A.16VE](#)