

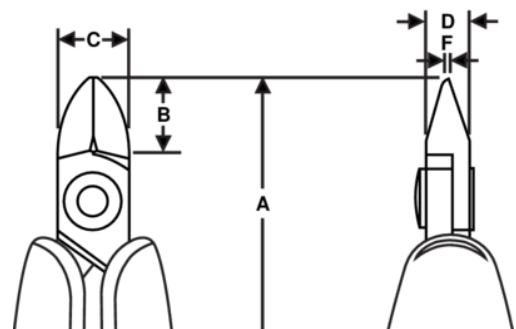


RX 8130-RX 8162 ERGO™ Precision Diagonal Cutters with Oval Head



PRODUCT DETAILS

- Precision oval head diagonal cutters developed according to the scientific ERGO™ process, Oval head
- ERGO™ handles with two-component combination, thermoplastic surface, for comfortable grip, on tough polypropylene core for rigidity
- Micro-bevel, flush & ultra-cut
- The cutting capacity that is given is for copper wire
- Cutting capacity: 0.1 mm-0.8 mm to 0.4 mm-2 mm
- High performance alloyed steel
- Phosphate finish
- Numerically controlled machine grinding guarantees edge angle accuracy & contact, increases the tool's reliability & consistency
- Precision induction-hardened edges 63-65 HRC
- Screw joint minimises friction & maximises alignment of cutting edges
- ESD safe handles in two-component synthetic material
- Bio spring limits the tension throughout the working cycle of the tool & can be adjusted to 3 different positions or removed
- Ideal for wire harness work & standard printed circuit board assembly



PRODUCT ATTRIBUTES

Product: **RX 8130**

	Oval		XS	A	133.5 mm
A	5.25 in	B	8,5 mm	B	0,33 in
C	8 mm	C	0.31 in	D	5 mm
D	0,2 inch	F	0,8 mm	F	0,03 in
	0.2-1.0 mm		0.00 - 0.04 in		Micro-Bevel®
g	68 g		Ω	Dissipative	

Product: **RX 8131**

	Oval		XS	A	133.5 mm
A	5.25 in	B	8,5 mm	B	0,33 in
C	8 mm	C	0.31 in	D	5 mm
D	0,2 inch	F	0,8 mm	F	0,03 in
	0.1-1.0 mm		0.00 - 0.04 in		Flush
g	68 g		Ω	Dissipative	

Product: **RX 8132**

	Oval		XS	A	133.5 mm
A	5.25 in	B	8,5 mm	B	0,33 in
C	8 mm	C	0.31 in	D	5 mm
D	0,2 inch	F	0,8 mm	F	0,03 in
	0.1-0.8 mm		0.00-0.03 in		Ultra-Flush®
g	68 g		Ω	Dissipative	

Product: **RX 8140**

	Oval		S	A	135.5 mm
A	5.33 in	B	10,5 mm	B	0,41 in
C	10 mm	C	0.39 in	D	6 mm
D	0,24 inch	F	0,8 mm	F	0,03 in
	0.2-1.25 mm		0.00-0.05 in		Micro-Bevel®
g	70 g		Ω	Dissipative	

Product: **RX 8141**

	Oval		S	A	135.5 mm
A	5.33 in	B	10,5 mm	B	0,41 in
C	10 mm	C	0.39 in	D	6 mm
D	0,24 inch	F	0,8 mm	F	0,03 in
	0.1-1.25 mm		0.00-0.05 in		Flush
g	70 g		Ω	Dissipative	

Product: **RX 8142**

	Oval		S	A	135.5 mm
A	5.33 in	B	10,5 mm	B	0,41 in
C	10 mm	C	0.39 in	D	6 mm
D	0,24 inch	F	0,8 mm	F	0,03 in
	0.1-1.0 mm		0.00-0.04 in		Ultra-Flush®
g	70 g		Ω	Dissipative	

Product: **RX 8150**

	Oval		M	A	138.0 mm
A	5.43 in	B	13 mm	B	0,51 in
C	12,5 mm	C	0.49 in	D	6 mm
D	0,24 inch	F	1,2 mm	F	0,05 in
	0.3-1.6 mm		0.01-0.06 in		Micro-Bevel®
g	73 g		Ω	Dissipative	

Product: **RX 8151**

	Oval		M	A	138.0 mm
A	5.43 in	B	13 mm	B	0,51 in
C	12,5 mm	C	0.49 in	D	6 mm
D	0,24 inch	F	1,2 mm	F	0,05 in
	0.2-1.6 mm		0.00-0.06 in		Flush
g	73 g		Ω	Dissipative	

Product: **RX 8152**

	Oval		M	A	138.0 mm
A	5.43 in	B	13 mm	B	0,51 in
C	12,5 mm	C	0.49 in	D	6 mm
D	0,24 inch	F	1,2 mm	F	0,05 in
	0.2-1.25 mm		0.00-0.05 in		Ultra-Flush®
g	73 g		Ω	Dissipative	

Product: **RX 8160**

	Oval		L	A	147.0 mm
A	5.80 in	B	16 mm	B	0,63 in
C	16 mm	C	0.63 in	D	8 mm
D	0,31 inch	F	1,6 mm	F	0,06 in
	0.4-2.0 mm		0.02 - 0.08 in		Micro-Bevel®
g	97 g		Ω	Dissipative	

Product: **RX 8161**

	Oval		L	A	147.0 mm
A	5.80 in	B	16 mm	B	0,63 in
C	16 mm	C	0.63 in	D	8 mm
D	0,31 inch	F	1,6 mm	F	0,06 in
	0.3-2.0 mm		0.01 - 0.08 in		Flush
g	97 g		Ω	Dissipative	

Product: **RX 8162**

	Oval		L	A	147.0 mm
A	5.80 in	B	16 mm	B	0,63 in
C	16 mm	C	0.63 in	D	8 mm
D	0,31 inch	F	1,6 mm	F	0,06 in
	0.3-1.6 mm		0.01 - 0.06 in		Ultra-Flush®
g	97 g		Ω	Dissipative	

X-ON Electronics

Largest Supplier of Electrical and Electronic Components

Click to view similar products for [Pliers & Tweezers](#) category:

Click to view products by [Lindstrom](#) manufacturer:

Other Similar products are found below :

[0026](#) [T0058765801](#) [80](#) [76C](#) [378MN](#) [L4VN](#) [LN54VN](#) [NN7776VN](#) [54CGVN](#) [SN55VN](#) [DRP10N](#) [0036](#) [PN 5050/21D](#) [TR 20 VM](#) [TR 25 A](#)
[505BGC](#) [622TX](#) [43450](#) [8140 CO](#) [8150 CO](#) [8165 CO](#) [32BSA25](#) [53CSA](#) [5BSAF](#) [5FSA](#) [5MBS](#) [M4AS](#) [017610101](#) [PN 5025](#) [65516300](#) [1-](#)
[84-199](#) [YT-2469](#) [011640100](#) [010480315](#) [503 618 3](#) [PGT435](#) [5000522](#) [011770113](#) [011770101](#) [CPE.A4](#) [T3781](#) [189A.17VE](#) [PPR 5003 D](#)
[131 010 2](#) [40603GP](#) [011780102](#) [45705](#) [CPES](#) [6151](#) [181A.18CPE](#)