



CD4543 (LX)

BCD to 7-segment latch/decoder/driver

Product Specification

Specification Revision History:

Version	Date	Description
2023-04-A1	2023-04	New



Contents

1、 General Description.....	3
2、 Block Diagram And Pin Description	4
2.1、 Block Diagram	4
2.2、 Pin Configurations.....	4
2.3、 Pin Description	5
2.4、 Function Table.....	5
3、 Electrical Parameter	6
3.1、 Absolute Maximum Ratings.....	6
3.2、 Recommended Operating Conditions	6
3.3、 Electrical Characteristics	6
3.3.1、 DC Characteristics 1	6
3.3.2、 DC Characteristics 2	7
3.3.3、 AC Characteristics 1	8
3.3.4、 AC Characteristics 2	9
4、 Testing Circuit	10
4.1、 AC Testing Circuit	10
4.2、 Test Data	10
4.3、 AC Testing Waveforms.....	10
4.4、 Measurement Points	11
5、 Package Information	12
5.1、 DIP16	12
5.2、 SOP16	13
5.3、 TSSOP16.....	14
6、 Statements And Notes	15
6.1、 The name and content of Hazardous substances or Elements in the product	15
6.2、 Notes	15



1、General Description

The CD4543 is a BCD to 7-segment latch/decoder/driver for liquid crystal and LED displays.

Features:

- Supply voltage range: 3V to 15V
- Temperature range: -40°C to +125°C
- Packaging information: DIP16/SOP16/TSSOP16

Ordering Information:

Tube packing specifications:

Part number	Packaging form	Marking code	Tube quantity	Boxed tube quantity	Boxed quantity	Notes
CD4543BE(LX)	DIP16	CD4543BE	25 PCS/tube	40 tube/box	1000 PCS/box	Dimensions of plastic enclosure: 19.0mm×6.4mm Pin spacing: 2.54mm
CD4543BM(LX)	SOP16	CD4543BM	50 PCS/tube	200 tube/box	10000 PCS/box	Dimensions of plastic enclosure: 10.0mm×3.9mm Pin spacing: 1.27mm
CD4543PW(LX)	TSSOP16	CD4543	96 PCS/tube	200 tube/box	19200 PCS/box	Dimensions of plastic enclosure: 5.0mm×4.4mm Pin spacing: 0.65mm

Reel packing specifications:

Part number	Packaging form	Marking code	Reel quantity	Boxed reel quantity	Notes
CD4543BM(LX)	SOP16	CD4543BM	2500PCS/reel	5000PCS/box	Dimensions of plastic enclosure: 10.0mm×3.9mm Pin spacing: 1.27mm
CD4543PW(LX)	TSSOP16	CD4543	5000PCS/reel	10000PCS/box	Dimensions of plastic enclosure: 5.0mm×4.4mm Pin spacing: 0.65mm

Note: If the physical information is inconsistent with the ordering information, please refer to the actual product.



2、Block Diagram And Pin Description

2.1、Block Diagram

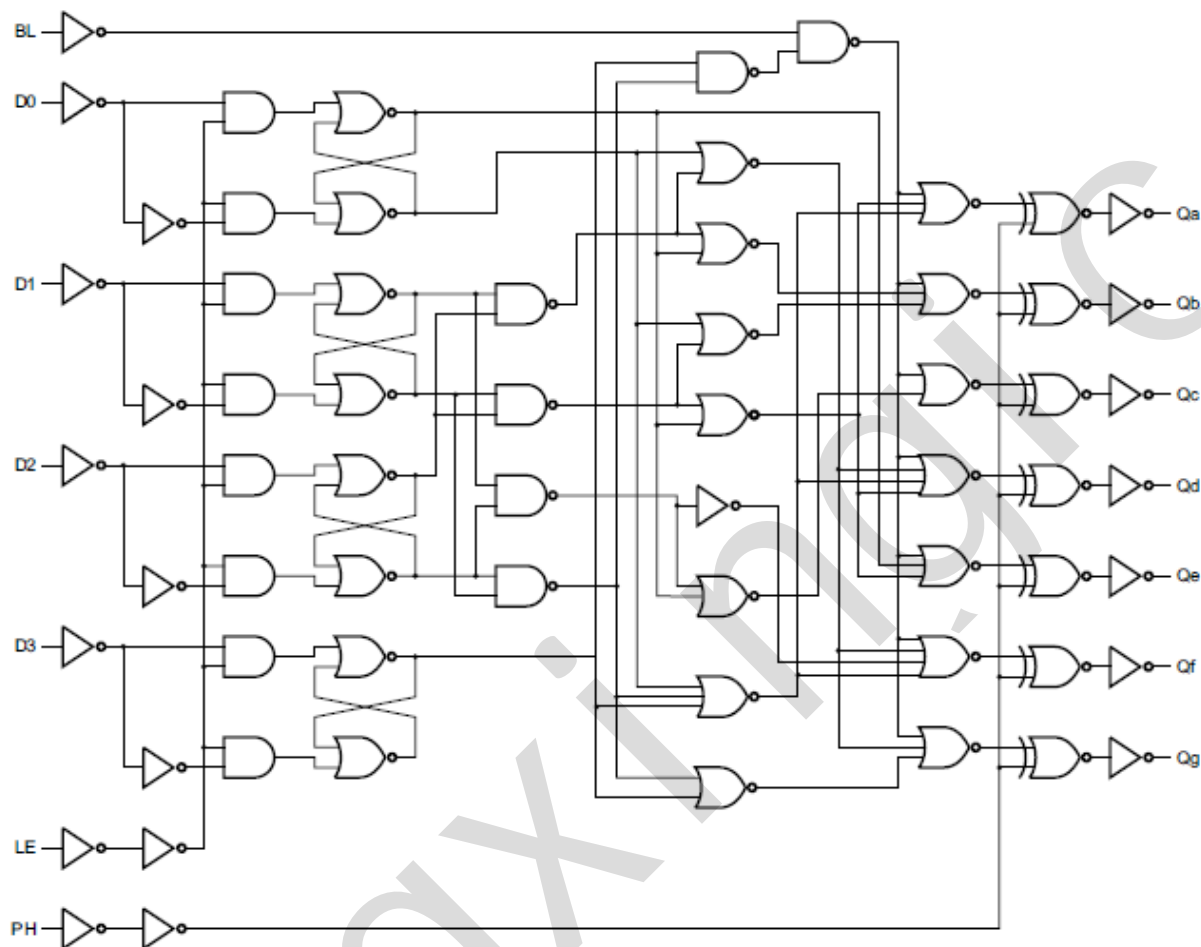
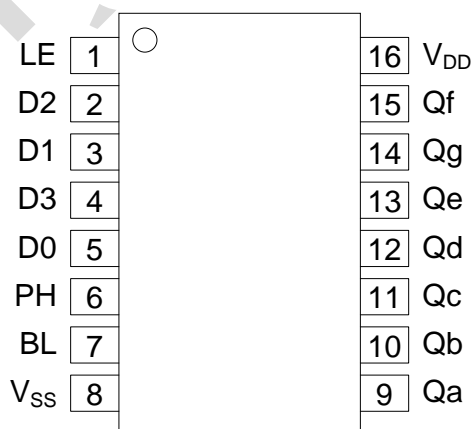


Figure 1. Functional diagram

2.2、Pin Configurations





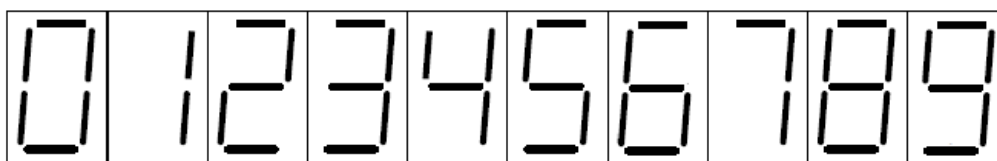
2.3、Pin Description

Pin No.	Pin Name	Description
1	LE	latch enable input (active LOW)
2	D2	address data input
3	D1	address data input
4	D3	address data input
5	D0	address data input
6	PH	phase input(active HIGH)
7	BL	Blanking input(active HIGH)
8	V _{SS}	ground supply voltage
9	Qa	segment output
10	Qb	segment output
11	Qc	segment output
12	Qd	segment output
13	Qe	segment output
14	Qg	segment output
15	Qf	segment output
16	V _{DD}	supply voltage

2.4、Function Table

Inputs							Outputs							Display
LE	BL	PH	D3	D2	D1	D0	Qa	Qb	Qc	Qd	Qe	Qf	Qg	
X	H	L	X	X	X	X	L	L	L	L	L	L	L	blank
H	L	L	L	L	L	L	H	H	H	H	H	H	L	0
H	L	L	L	L	L	H	L	H	H	L	L	L	L	1
H	L	L	L	L	H	L	H	H	L	H	H	L	H	2
H	L	L	L	L	H	H	H	H	H	H	L	L	H	3
H	L	L	L	H	L	L	L	H	H	L	L	H	H	4
H	L	L	L	H	L	H	H	L	H	H	L	H	H	5
H	L	L	L	H	H	L	H	L	H	H	H	H	H	6
H	L	L	L	H	H	H	H	H	H	L	L	L	L	7
H	L	L	H	L	L	L	H	H	H	H	H	H	H	8
H	L	L	H	L	L	H	H	H	H	H	L	H	H	9
H	L	L	H	L	H	X	L	L	L	L	L	L	L	blank
H	L	L	H	H	X	X	L	L	L	L	L	L	L	blank
L	L	L	X	X	X	X	n.c.							n.c.
as above		H	as above				inverse of above							as above

Note: H=HIGH voltage level; L=LOW voltage level. X=don't care;n.c.=no change





3、Electrical Parameter

3.1、Absolute Maximum Ratings

(Voltages are referenced to V_{SS} (ground=0V), unless otherwise specified.)

Parameter	Symbol	Conditions	Min.	Max.	Unit
supply voltage	V_{DD}	-	-0.5	+18	V
input voltage	V_I	all inputs	-0.5	$V_{DD}+0.5$	V
DC input current	I_{IK}	any one input	-	± 10	mA
storage temperature	T_{stg}	-	-65	+150	$^{\circ}C$
soldering temperature	T_L	10s	DIP	245	$^{\circ}C$
			SOP/TSSOP	260	

3.2、Recommended Operating Conditions

Parameter	Symbol	Conditions	Min.	Typ.	Max.	Unit
supply voltage	V_{DD}	-	3	-	15	V
ambient temperature	T_{amb}	in free air	-40	-	+125	$^{\circ}C$

3.3、Electrical Characteristics

3.3.1、DC Characteristics 1

($T_{amb}=-40^{\circ}C$ to $+85^{\circ}C$, voltages are referenced to V_{SS} (ground=0V), unless otherwise specified.)

Parameter	Symbol	V_{DD}	Conditions	Min.	Typ.	Max.	Unit
HIGH-level input voltage	V_{IH}	5V	-	3.5	-	-	V
		10V	-	7	-	-	V
		15V	-	11	-	-	V
LOW-level input voltage	V_{IL}	5V	-	-	-	1.5	V
		10V	-	-	-	3	V
		15V	-	-	-	4	V
HIGH-level output voltage	V_{OH}	5V	$ I_O < 1\mu A$	4.95	-	-	V
		10V	$ I_O < 1\mu A$	9.95	-	-	V
		15V	$ I_O < 1\mu A$	14.95	-	-	V
LOW-level output voltage	V_{OL}	5V	$ I_O < 1\mu A$	-	-	0.05	V
		10V	$ I_O < 1\mu A$	-	-	0.05	V
		15V	$ I_O < 1\mu A$	-	-	0.05	V
HIGH-level output current	I_{OH}	5V	$V_O=4.6V$	-	-	-0.34	mA
		5V	$V_O=2.5V$	-	-	-1.3	mA
		10V	$V_O=9.5V$	-	-	-0.55	mA
		15V	$V_O=13.5V$	-	-	-1.65	mA
LOW-level output current	I_{OL}	5V	$V_O=0.4V$	0.34	-	-	mA
		10V	$V_O=0.5V$	0.46	-	-	mA
		15V	$V_O=1.5V$	1.4	-	-	mA
input leakage current	I_I	15V	$V_I=15V$ or GND	-	-	± 2	μA
supply current	I_{DD}	5V	$V_I=5V$ or GND; $I_O=0A$	-	-	7.5	μA
		10V	$V_I=10V$ or GND; $I_O=0A$	-	-	15	μA
		15V	$V_I=15V$ or GND; $I_O=0A$	-	-	30	μA



3.3.2、DC Characteristics 2

($T_{amb} = -40^{\circ}\text{C}$ to $+125^{\circ}\text{C}$, voltages are referenced to V_{SS} (ground=0V), unless otherwise specified.)

Parameter	Symbol	V_{DD}	Conditions	Min.	Typ.	Max.	Unit
HIGH-level input voltage	V_{IH}	5V	-	3.5	-	-	V
		10V	-	7	-	-	V
		15V	-	11	-	-	V
LOW-level input voltage	V_{IL}	5V	-	-	-	1.5	V
		10V	-	-	-	3	V
		15V	-	-	-	4	V
HIGH-level output voltage	V_{OH}	5V	$ I_O < 1\mu\text{A}$	4.95	-	-	V
		10V	$ I_O < 1\mu\text{A}$	9.95	-	-	V
		15V	$ I_O < 1\mu\text{A}$	14.95	-	-	V
LOW-level output voltage	V_{OL}	5V	$ I_O < 1\mu\text{A}$	-	-	0.05	V
		10V	$ I_O < 1\mu\text{A}$	-	-	0.05	V
		15V	$ I_O < 1\mu\text{A}$	-	-	0.05	V
HIGH-level output current	I_{OH}	5V	$V_O = 4.6\text{V}$	-	-	-0.3	mA
		5V	$V_O = 2.5\text{V}$	-	-	-1.15	mA
		10V	$V_O = 9.5\text{V}$	-	-	-0.45	mA
		15V	$V_O = 13.5\text{V}$	-	-	-1.4	mA
LOW-level output current	I_{OL}	5V	$V_O = 0.4\text{V}$	0.29	-	-	mA
		10V	$V_O = 0.5\text{V}$	0.38	-	-	mA
		15V	$V_O = 1.5\text{V}$	1.2	-	-	mA
input leakage current	I_I	15V	$V_I = 15\text{V}$ or GND	-	-	± 4	μA
supply current	I_{DD}	5V	$V_I = 5\text{V}$ or GND; $I_O = 0\text{A}$	-	-	7.5	μA
		10V	$V_I = 10\text{V}$ or GND; $I_O = 0\text{A}$	-	-	15	μA
		15V	$V_I = 15\text{V}$ or GND; $I_O = 0\text{A}$	-	-	30	μA



3.3.3、AC Characteristics 1

($T_{amb} = -40^{\circ}\text{C}$ to $+85^{\circ}\text{C}$, $V_{SS} = 0\text{V}$, unless otherwise specified.)

Parameter	Symbol	V_{DD}	Conditions	Min.	Typ.	Max.	Unit
HIGH to LOW propagation delay time	t_{PHL}	5V	Dn to Qn	-	180	360	ns
		10V	$C_L = 50\text{pF}$	-	75	150	ns
		15V	see Figure 4	-	55	110	ns
		5V	LE to Qn	-	170	340	ns
		10V	$C_L = 50\text{pF}$	-	80	160	ns
		15V	see Figure 4	-	60	120	ns
		5V	BL to Qn	-	145	290	ns
		10V	$C_L = 50\text{pF}$	-	65	130	ns
		15V	see Figure 4	-	45	90	ns
LOW to HIGH propagation delay time	t_{PLH}	5V	Dn to Qn	-	180	360	ns
		10V	$C_L = 50\text{pF}$	-	75	150	ns
		15V	see Figure 4	-	55	110	ns
		5V	LE to Qn	-	190	380	ns
		10V	$C_L = 50\text{pF}$	-	80	160	ns
		15V	see Figure 4	-	60	120	ns
		5V	BL to Qn	-	145	290	ns
		10V	$C_L = 50\text{pF}$	-	65	130	ns
		15V	see Figure 4	-	45	90	ns
transition time	t_{THL}, t_{TLH}	5V	pin Qn	-	60	120	ns
		10V	$C_L = 50\text{pF}$	-	30	60	ns
		15V	see Figure 4	-	20	40	ns
pulse width	t_w	5V	pin LE high;	60	30	-	ns
		10V	minimum width	30	15	-	ns
		15V	see Figure 5	20	10	-	ns
set-up time	t_{su}	5V	Dn to LE;	40	20		ns
		10V	see Figure 5	20	5		ns
		15V		15	0		ns
hold time	t_h	5V	Dn to LE;	0	-15		ns
		10V	see Figure 5	15	0		ns
		15V		20	5		ns



3.3.4、AC Characteristics 2

($T_{amb} = -40^{\circ}C$ to $+125^{\circ}C$, $V_{SS} = 0V$, unless otherwise specified.)

Parameter	Symbol	V _{DD}	Conditions	Min.	Typ.	Max.	Unit
HIGH to LOW propagation delay time	t _{PHL}	5V	Dn to Qn	-	-	432	ns
		10V	C _L =50pF	-	-	180	ns
		15V	see Figure 4	-	-	132	ns
		5V	LE to Qn	-	-	408	ns
		10V	C _L =50pF	-	-	192	ns
		15V	see Figure 4	-	-	144	ns
		5V	BL to Qn	-	-	348	ns
		10V	C _L =50pF	-	-	156	ns
		15V	see Figure 4	-	-	108	ns
LOW to HIGH propagation delay time	t _{PLH}	5V	Dn to Qn	-	-	432	ns
		10V	C _L =50pF	-	-	180	ns
		15V	see Figure 4	-	-	132	ns
		5V	LE to Qn	-	-	432	ns
		10V	C _L =50pF	-	-	180	ns
		15V	see Figure 4	-	-	132	ns
		5V	BL to Qn	-	-	348	ns
		10V	C _L =50pF	-	-	156	ns
		15V	see Figure 4	-	-	108	ns
transition time	t _{THL} , t _{TLH}	5V	pin Qn	-	-	144	ns
		10V	C _L =50pF	-	-	72	ns
		15V	see Figure 4	-	-	48	ns
pulse width	t _w	5V	pin LE high;	72	-	-	ns
		10V	minimum width	36	-	-	ns
		15V	see Figure 5	24	-	-	ns
set-up time	t _{su}	5V	Dn to LE;	48	-	-	ns
		10V	see Figure 5	24	-	-	ns
		15V		18	-	-	ns
hold time	t _h	5V	Dn to LE;	0	-	-	ns
		10V	see Figure 5	18	-	-	ns
		15V		24	-	-	ns



4、Testing Circuit

4.1、AC Testing Circuit

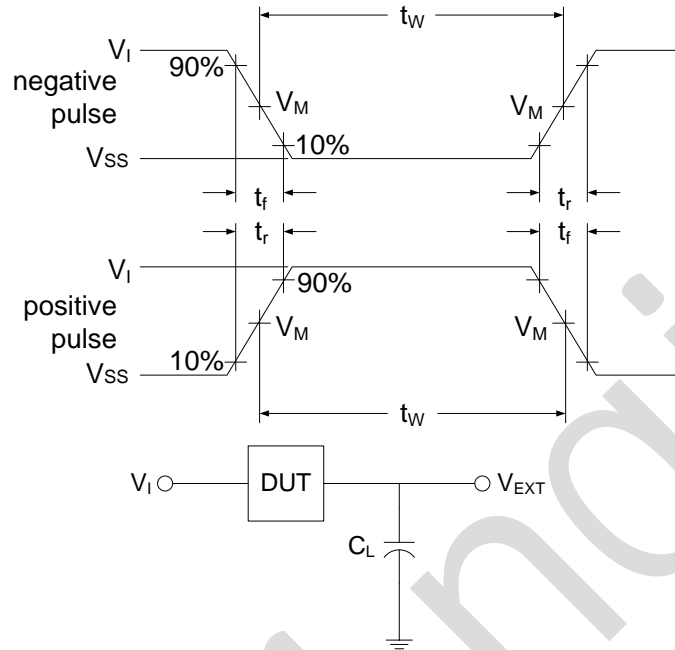


Figure 3. Load circuit

C_L includes probe and jig capacitance.

4.2、Test Data

Supply voltage	Input		Load	V_{EXT}		
V_{DD}	V_I	$t_r = t_f$	C_L	t_{PLH}/t_{PHL}	t_{PLZ}/t_{PZL}	t_{PHZ}/t_{PZH}
5V to 15V	V_{DD}	$\leq 20\text{ns}$	50pF	Open	V_{DD}	V_{SS}

4.3、AC Testing Waveforms

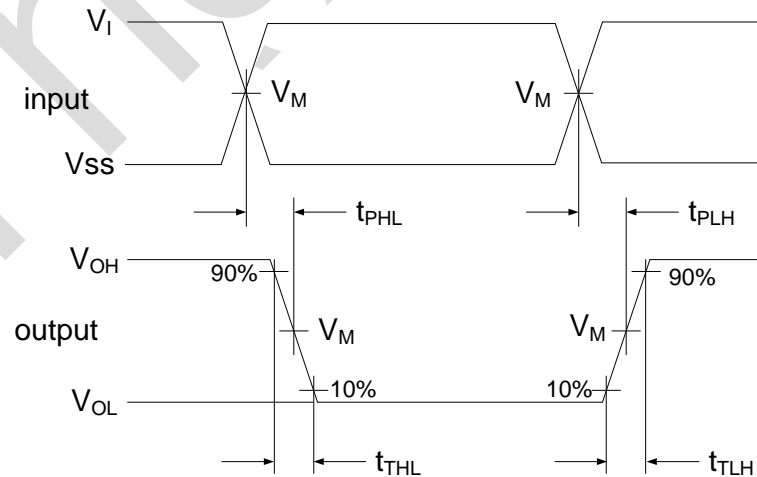


Figure 4. Propagation delay, output transition time

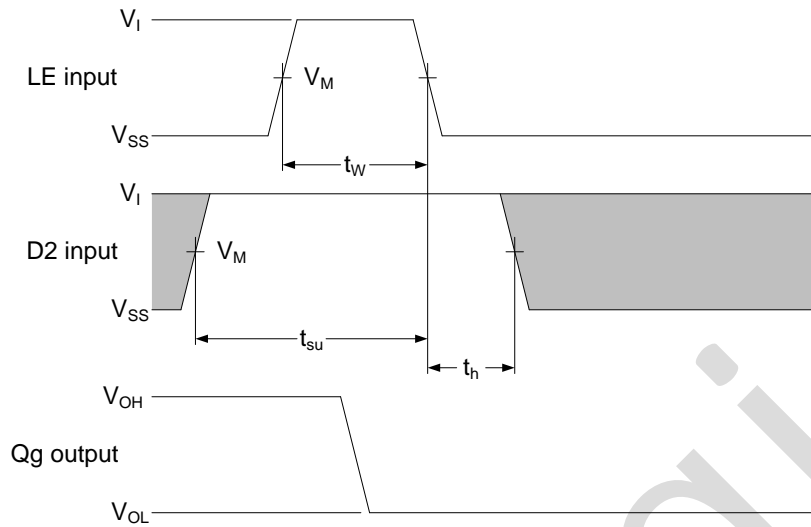


Figure 5. Waveforms showing minimum LE pulse width, set-up, and hold time for DC to LE

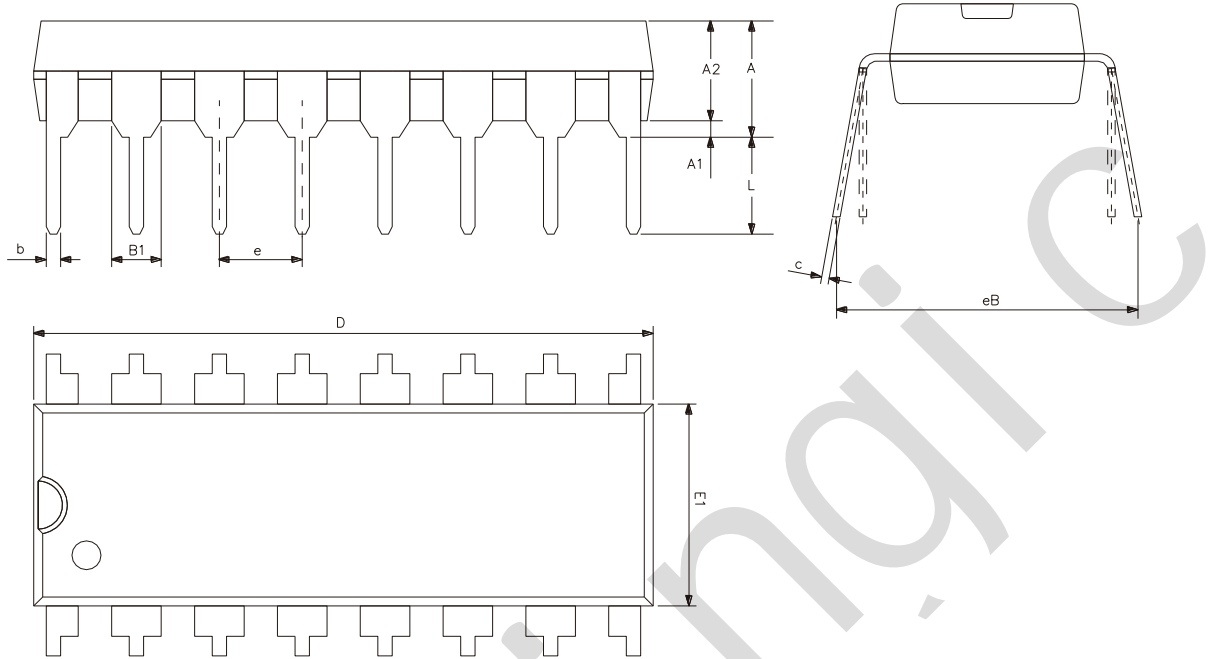
4.4. Measurement Points

Supply voltage	Input	Output		
V_{DD}	V_M	V_M	V_X	V_Y
5V to 15V	$0.5 \times V_{DD}$	$0.5 \times V_{DD}$	$0.1 \times V_{DD}$	$0.9 \times V_{DD}$



5、Package Information

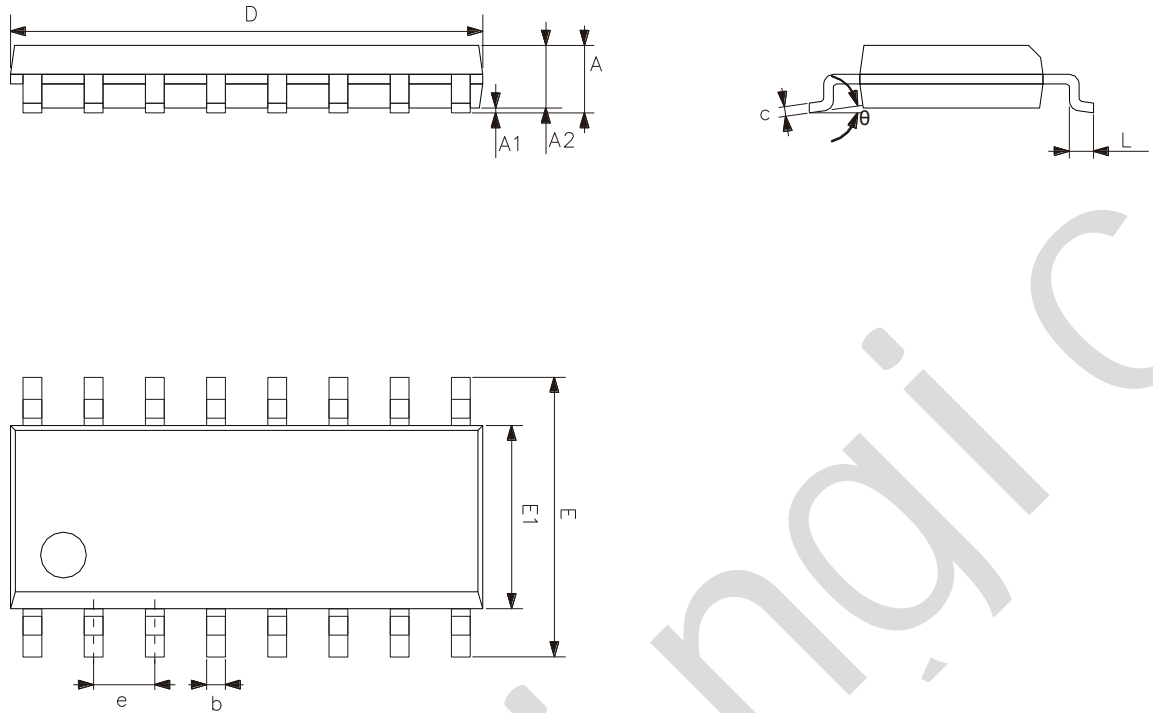
5.1、DIP16



Symbol	Dimensions (mm)	
	Min.	Max.
A2	3.20	3.60
A1	0.51	-
A	3.60	5.33
L	3.00	3.60
b	0.36	0.56
B1	1.52	
D	18.80	19.94
E1	6.20	6.60
e	2.54	
c	0.20	0.36
eB	7.62	9.30



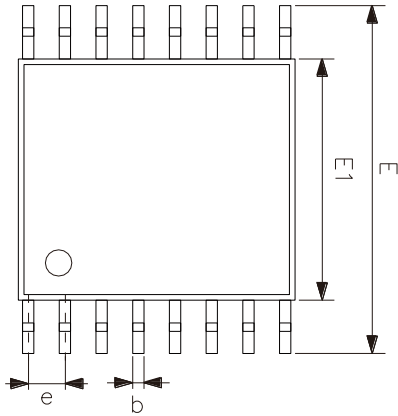
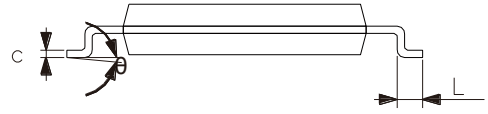
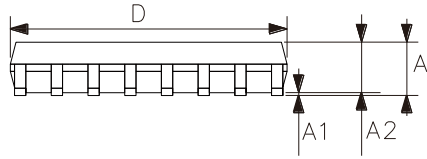
5.2、SOP16



Symbol	Dimensions (mm)	
	Min.	Max.
A	1.35	1.80
A1	0.10	0.25
A2	1.25	1.55
b	0.33	0.51
c	0.19	0.25
D	9.50	10.10
E	5.80	6.30
E1	3.70	4.10
e	1.27	
L	0.35	0.89
θ	0°	8°



5.3、TSSOP16



Symbol	Dimensions (mm)	
	Min.	Max.
A	-	1.20
A1	0.05	0.15
A2	0.80	1.05
b	0.19	0.30
c	0.09	0.20
D	4.90	5.10
E1	4.30	4.50
E	6.20	6.60
e	0.65	
L	0.45	0.75
θ	0°	8°



6、 Statements And Notes

6.1、 The name and content of Hazardous substances or Elements in the product

Part name	Hazardous substances or Elements									
	Lead and lead compounds	Mercury and mercury compounds	Cadmium and cadmium compounds	Hexavalent chromium compounds	Polybrominated biphenyls	Polybrominated biphenyl ethers	Dibutyl phthalate	Butylbenzyl phthalate	Di-2-ethylhexyl phthalate	Diisobutyl phthalate
Lead frame	○	○	○	○	○	○	○	○	○	○
Plastic resin	○	○	○	○	○	○	○	○	○	○
Chip	○	○	○	○	○	○	○	○	○	○
The lead	○	○	○	○	○	○	○	○	○	○
Plastic sheet installed	○	○	○	○	○	○	○	○	○	○
explanation	○: Indicates that the content of hazardous substances or elements in the detection limit of the following the SJ/T11363-2006 standard. ×: Indicates that the content of hazardous substances or elements exceeding the SJ/T11363-2006 Standard limit requirements.									

6.2、 Notes

We Recommend you to read this chapter carefully before using this product.

The information in this chapter is provided for reference only and Lingxing disclaims any express or implied warranties, including but not limited to applicability, special application or non-infringement of third party rights.

This product is not suitable for critical equipment such as life-saving, life-sustaining or safety equipment. It is also not suitable for applications that may result in personal injury, death, or serious property or environmental damage due to product malfunction or failure. Lingxing will not be liable for any damages incurred by the customers at their own risk for such applications.

The customer is responsible for conducting all necessary tests Lingxing's application to avoid failure in the application or the application of the customer's third party users. Lingxing does not accept any liability.

The Company reserves the right to change or improve the information published in this chapter at any time. The information in this chapter are subject to change without notice. We recommend the customer to consult our sales staff before purchasing.

Please obtain related materials form Lingxing's regular channels and we are not responsible for its content if it is provided by sources other than our company.

In case of any conflict between the Chinese and English version, the version is subject to the Chinese one.

X-ON Electronics

Largest Supplier of Electrical and Electronic Components

Click to view similar products for [LED Display Drivers](#) category:

Click to view products by [lingxingic](#) manufacturer:

Other Similar products are found below :

[STP16DP05PTR](#) [MP3370GN-Z](#) [ISL97631IHTZ-T7A](#) [ISL97632IRT26Z-T](#) [LV5026MC-AH](#) [IK62083DWT](#) [OB3655TAP-H](#) [OB3399PAP](#)
[AW36514FCR](#) [AW36428FCR](#) [KAQW214A TL](#) [TM1629\(TA2009B\)](#) [WS2814F](#) [XB402U-L27](#) [HT16K33A-20SOP](#) [HT16D33A-28SSOP](#)
[TM512AE0](#) [TM512AD](#) [TM0822B](#) [SY7310AADC](#) [SY58863FAC](#) [SY5863AJAC](#) [FM4115K.](#) [TM1638N-SOP28-TA1319B](#) [AW36423FCR](#)
[AW36515FCR](#) [AW99703CSR](#) [AW21036QNR](#) [AW20108QNR](#) [AW2016AQNR](#) [PT4115BE89E](#) [CC1108ST](#) [CC1109](#) [SD6800BCTR](#)
[SDH7612DH](#) [HT16D35A-48LQFP-EP](#) [HT1635C-64LQFP-7*7](#) [HT16D31A-16NSOP-EP](#) [TLD5099EP](#) [BCR 431U](#) [PAM2804AAB010\(MS\)](#)
[OB3379ZCPA-D](#) [NCL31001MNITWG](#) [NCV78702MW0AR2G](#) [PJL3315SR](#) [PT4515NHE89C](#) [PT4205E89E](#) [RSC6105S](#) [RSC6112S](#)
[RSC6107S](#)