



# SN74HC/HCT4053

## Triple 2-channel Analog Multiplexer/Demultiplexer

### Product Specification

**Specification Revision History:**

Version	Date	Description
2021-10-A2	2021-10	Modify Ordering Information



## 1、General Description

The SN74HC/HCT4053 is a triple single-pole double-throw analog switch (3×SPDT) suitable for use in analog or digital 2:1 multiplexer/demultiplexer applications. Each switch features a digital select input ( $S_n$ ), two independent inputs/outputs ( $nY_0$  and  $nY_1$ ) and a common input/output ( $nZ$ ). A digital enable input ( $\bar{E}$ ) is common to all switches. When  $\bar{E}$  is HIGH, the switches are turned off. Inputs include clamp diodes. This enables the use of current limiting resistors to interface inputs to voltages in excess of  $V_{CC}$ .

### Features:

- Wide analog input voltage range from -5 V to +5 V
- Wide supply voltage range  
SN74HC4053: from 3V to 9V  
SN74HCT4053: from 4.5V to 5.5V
- Low ON resistance:
  - 80  $\Omega$  (typical) at  $V_{CC} - V_{EE} = 4.5$  V
  - 70  $\Omega$  (typical) at  $V_{CC} - V_{EE} = 6.0$  V
  - 60  $\Omega$  (typical) at  $V_{CC} - V_{EE} = 9.0$  V
- Logic level translation: to enable 5 V logic to communicate with  $\pm 5$  V analog signals
- Typical “break before make” built-in
- Specified from -40°C to +85°C
- Packaging information: DIP16/SOP16/TSSOP16

### Applications:

- Analog multiplexing and demultiplexing
- Digital multiplexing and demultiplexing
- Signal gating



# 深圳市灵星芯微电子科技有限公司

Shenzhen Lingxing Microelectronics Technology Co., Ltd.

版次: B1

编号: SN74HC/HCT4053-LX-A053

## Ordering Information:

### Tube packing specifications:

Type number	Packaging form	Marking code	Tube quantity	Boxed tube quantity	Boxed quantity	Packing box number	Packing quantity	Notes
SN74HC4053N	DIP16	SN74HC4053N	25 PCS/tube	40 tube/box	1000 PCS/box	10 box/pack	10000 PCS/pack	Dimensions of plastic enclosure: 19.0mm×6.4mm Pin spacing: 2.54mm
SN74HCT4053N	DIP16	SN74HCT4053N	25 PCS/tube	40 tube/box	1000 PCS/box	10 box/pack	10000 PCS/pack	Dimensions of plastic enclosure: 19.0mm×6.4mm Pin spacing: 2.54mm

### Reel packing specifications:

Type number	Packaging form	Marking code	Reel quantity	Boxed reel quantity	Packing quantity	Notes
SN74HC4053D	SOP16	SN74HC4053	2500 PCS/reel	5000 PCS/box	40000 PCS/pack	Dimensions of plastic enclosure: 10.0mm×3.9mm Pin spacing:1.27mm
SN74HCT4053D	SOP16	SN74HCT4053	2500 PCS/reel	5000 PCS/box	40000 PCS/pack	Dimensions of plastic enclosure: 10.0mm×3.9mm Pin spacing:1.27mm
SN74HC4053PW	TSSOP16	SN74HC4053	5000 PCS/reel	10000 PCS/box	80000 PCS/pack	Dimensions of plastic enclosure: 5.0mm×4.4mm Pin spacing:0.65mm
SN74HCT4053PW	TSSOP16	SN74HCT4053	5000 PCS/reel	10000 PCS/box	80000 PCS/pack	Dimensions of plastic enclosure: 5.0mm×4.4mm Pin spacing:0.65mm

Note: If the physical information is inconsistent with the ordering information, please refer to the actual product.



## 2、Block Diagram And Pin Description

### 2.1、Block Diagram

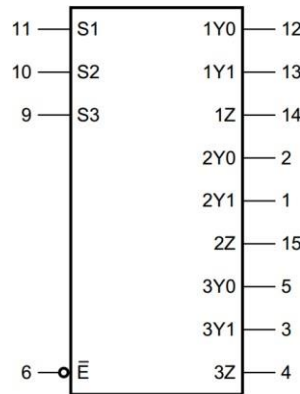


Figure 1. Logic symbol

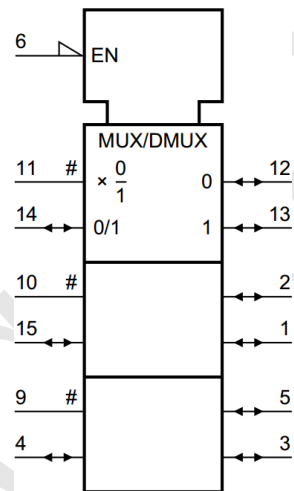


Figure 2. IEC logic symbol

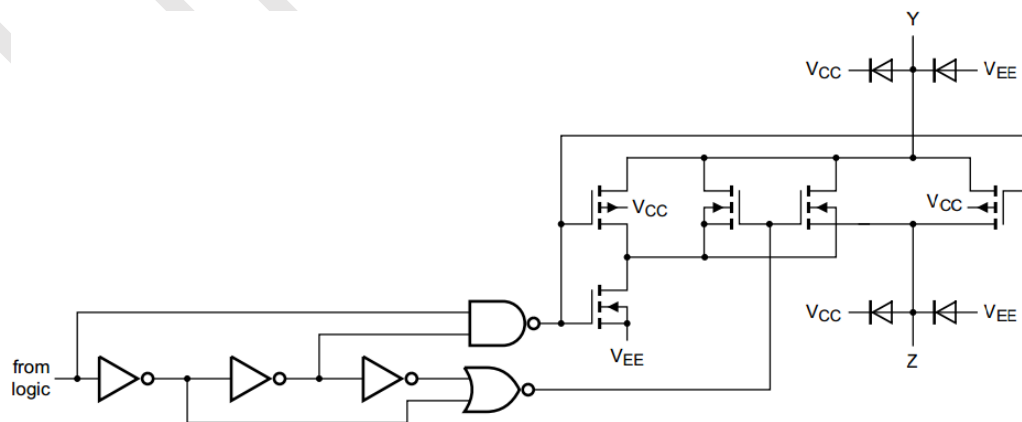


Figure 3. Schematic diagram (one switch)

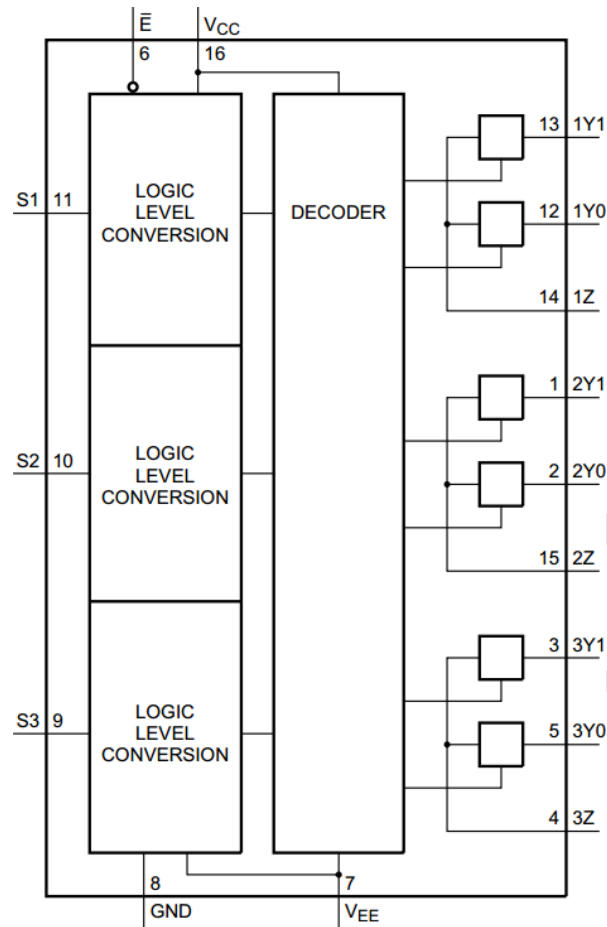
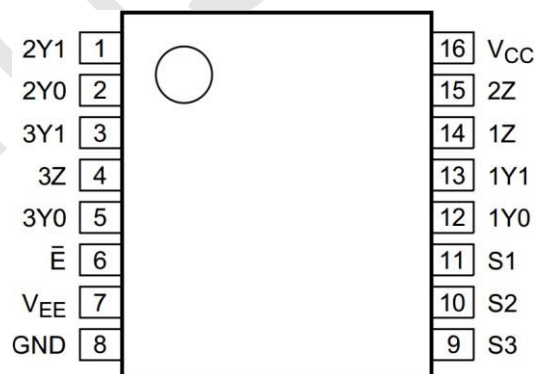


Figure 4. Functional diagram

## 2.2、Pin Configurations





## 2.3、Pin Description

Pin No.	Pin Name	Description
1	2Y1	independent input or output
2	2Y0	independent input or output
3	3Y1	independent input or output
4	3Z	common output or input
5	3Y0	independent input or output
6	$\bar{E}$	enable input (active LOW)
7	$V_{EE}$	supply voltage
8	GND	ground supply voltage
9	S3	select input
10	S2	select input
11	S1	select input
12	1Y0	independent input or output
13	1Y1	independent input or output
14	1Z	common output or input
15	2Z	common output or input
16	$V_{CC}$	supply voltage

## 2.4、Function Table

Input		Channel ON
$\bar{E}$	$S_n$	
L	L	nY0 to nZ
L	H	nY1 to nZ
H	X	switches off

Note: H=HIGH voltage level; L=LOW voltage level; X=don't care.



## 3、Electrical Parameter

### 3.1、Absolute Maximum Ratings

(Voltages are referenced to GND (ground=0V), unless otherwise specified.)

Parameter	Symbol	Conditions	Min.	Max.	Unit
supply voltage	$V_{CC}$	- <sup>[1]</sup>	-0.5	+11.0	V
input clamping current	$I_{IK}$	$V_I < -0.5\text{ V}$ or $V_I > V_{CC} + 0.5\text{ V}$	-	$\pm 20$	mA
switch clamping current	$I_{SK}$	$V_{SW} < -0.5\text{ V}$ or $V_{SW} > V_{CC} + 0.5\text{ V}$	-	$\pm 20$	mA
switch current	$I_{SW}$	$-0.5\text{ V} < V_{SW} < V_{CC} + 0.5\text{ V}$	-	$\pm 25$	mA
supply current	$I_{EE}$	-	-	$\pm 20$	mA
supply current	$I_{CC}$	-	-	50	mA
ground current	$I_{GND}$	-	-	-50	mA
storage temperature	$T_{stg}$	-	-65	+150	°C
total power dissipation	$P_{tot}$	- <sup>[2]</sup>	-	500	mW
power dissipation	P	per switch	-	100	mW
Soldering temperature	$T_L$	10s	DIP	245	°C
			SOP	250	°C

Note:

[1] To avoid drawing  $V_{CC}$  current out of terminal nZ, when switch current flows into terminals nYn, the voltage drop across the bidirectional switch must not exceed 0.4V. If the switch current flows into terminal nZ, no  $V_{CC}$  current will flow out of terminals nYn, and in this case there is no limit for the voltage drop across the switch, but the voltages at nYn and nZ may not exceed  $V_{CC}$  or  $V_{EE}$ .

[2] For DIP16 packages: above 70°C the value of  $P_{tot}$  derates linearly with 12mW/K.

For SOP16 packages: above 70°C the value of  $P_{tot}$  derates linearly with 8mW/K.

For (T)SSOP16 packages: above 60°C the value of  $P_{tot}$  derates linearly with 5.5mW/K.



### 3.2、Recommended Operating Conditions

Parameter	Symbol	Conditions	Min.	Typ.	Max.	Unit
<b>SN74HC4053</b>						
supply voltage	$V_{CC}$	$V_{CC} - GND$	3.0	5.0	9.0	V
		$V_{CC} - V_{EE}$	3.0	5.0	9.0	V
input voltage	$V_I$	-	0	-	$V_{CC}$	V
switch voltage	$V_{SW}$	-	$V_{EE}$	-	$V_{CC}$	V
ambient temperature	$T_{amb}$	in free air	-40	-	+85	°C
input transition rise and fall rate	$\Delta t/\Delta V$	$V_{CC} = 4.5 V$	-	1.67	139	ns/V
		$V_{CC} = 6.0 V$	-	-	83	ns/V
		$V_{CC} = 9.0 V$	-	-	31	ns/V
<b>SN74HCT4053</b>						
supply voltage	$V_{CC}$	$V_{CC} - GND$	4.5	5.0	5.5	V
		$V_{CC} - V_{EE}$	3.0	5.0	9.0	V
input voltage	$V_I$	-	0	-	$V_{CC}$	V
switch voltage	$V_{SW}$	-	$V_{EE}$	-	$V_{CC}$	V
ambient temperature	$T_{amb}$	in free air	-40	-	+85	°C
input transition rise and fall rate	$\Delta t/\Delta V$	$V_{CC} = 4.5 V$	-	1.67	139	ns/V
		$V_{CC} = 6.0 V$	-	-	-	ns/V
		$V_{CC} = 9.0 V$	-	-	-	ns/V

### 3.3、Electrical Characteristics

#### 3.3.1、DC Characteristics 1

( $T_{amb}=25^{\circ}C$ , voltages are referenced to GND (ground=0V), unless otherwise specified.)

Parameter	Symbol	Conditions	Min.	Typ.	Max.	Unit
ON resistance (peak)	$R_{ON(peak)}$	$V_{is} = V_{CC} \text{ to } V_{EE};$ $I_{SW} = 1000 \mu A$ $V_{CC} = 4.5 V;$ $V_{EE} = 0 V$	-	100	180	$\Omega$
		$V_{is} = V_{CC} \text{ to } V_{EE};$ $I_{SW} = 1000 \mu A$ $V_{CC} = 6.0 V;$ $V_{EE} = 0 V$	-	90	160	$\Omega$
		$V_{is} = V_{CC} \text{ to } V_{EE};$ $I_{SW} = 1000 \mu A$ $V_{CC} = 4.5 V;$ $V_{EE} = -4.5 V$	-	70	130	$\Omega$
ON resistance (rail)	$R_{ON(rail)}$	$V_{is} = V_{EE};$ $I_{SW} = 1000 \mu A$ $V_{CC} = 4.5 V;$ $V_{EE} = 0 V$	-	80	140	$\Omega$
		$V_{is} = V_{EE};$ $I_{SW} = 1000 \mu A$ $V_{CC} = 6.0 V;$ $V_{EE} = 0 V$	-	70	120	$\Omega$
		$V_{is} = V_{EE};$ $I_{SW} = 1000 \mu A$ $V_{CC} = 4.5 V;$ $V_{EE} = -4.5 V$	-	60	105	$\Omega$
		$V_{is} = V_{CC};$ $I_{SW} = 1000 \mu A$ $V_{CC} = 4.5 V;$ $V_{EE} = 0 V$	-	90	160	$\Omega$





# 深圳市灵星芯微电子科技有限公司

Shenzhen Lingxing Microelectronics Technology Co., Ltd.

版次: B1

编号: SN74HC/HCT4053-LX-A053

		$I_{sw} = 1000 \mu A$	$V_{CC} = 6.0 V$ ; $V_{EE} = 0 V$	-	80	140	$\Omega$
			$V_{CC} = 4.5 V$ ; $V_{EE} = -4.5 V$	-	65	120	$\Omega$
ON resistance mismatch between channels	$\Delta R_{ON}$	$V_{is} = V_{CC} \text{ to } V_{EE}$	$V_{CC} = 4.5 V$ ; $V_{EE} = 0 V$	-	9	-	$\Omega$
			$V_{CC} = 6.0 V$ ; $V_{EE} = 0 V$	-	8	-	$\Omega$
			$V_{CC} = 4.5 V$ ; $V_{EE} = -4.5 V$	-	6	-	$\Omega$
<b>SN74HC4053</b>							
HIGH-level input voltage	$V_{IH}$	$V_{CC} = 4.5 V$		3.15	2.4	-	V
		$V_{CC} = 6.0 V$		4.2	3.2	-	V
		$V_{CC} = 9.0 V$		6.3	4.7	-	V
LOW-level input voltage	$V_{IL}$	$V_{CC} = 4.5 V$		-	2.1	1.35	V
		$V_{CC} = 6.0 V$		-	2.8	1.8	V
		$V_{CC} = 9.0 V$		-	4.3	2.7	V
input leakage current	$I_I$	$V_{EE} = 0 V$ ; $V_I = V_{CC} \text{ or } GND$	$V_{CC} = 6.0 V$	-	-	$\pm 0.1$	$\mu A$
			$V_{CC} = 9.0 V$	-	-	$\pm 0.2$	$\mu A$
OFF-state leakage current	$I_{S(OFF)}$	$V_{CC} = 9.0 V$ ; $V_{EE} = 0 V$ ; $V_I = V_{IH} \text{ or } V_{IL}$ ; $ V_{SW}  = V_{CC} - V_{EE}$ ; see Figure 7	per channel	-	-	$\pm 0.1$	$\mu A$
			all channels	-	-	$\pm 0.1$	$\mu A$
ON-state leakage current	$I_{S(ON)}$	$V_I = V_{IH} \text{ or } V_{IL}$ ; $ V_{SW}  = V_{CC} - V_{EE}$ ; $V_{CC} = 9.0 V$ ; $V_{EE} = 0 V$ ; see Figure 8		-	-	$\pm 0.1$	$\mu A$
supply current	$I_{CC}$	$V_{EE} = 0 V$ ; $V_I = V_{CC} \text{ or } GND$ ; $V_{is} = V_{EE} \text{ or } V_{CC}$ ; $V_{os} = V_{CC} \text{ or } V_{EE}$	$V_{CC} = 6.0 V$	-	-	8.0	$\mu A$
			$V_{CC} = 9.0 V$	-	-	16.0	$\mu A$
input capacitance	$C_I$	-		-	3.5	-	pF
switch capacitance	$C_{SW}$	independent pins nYn		-	5	-	pF
		common pins nZ		-	8	-	pF
<b>SN74HCT4053</b>							
HIGH-level input voltage	$V_{IH}$	$V_{CC} = 4.5 V \text{ to } 5.5 V$		2.0	1.6	-	V
LOW-level input voltage	$V_{IL}$	$V_{CC} = 4.5 V \text{ to } 5.5 V$		-	1.2	0.8	V



input leakage current	$I_I$	$V_I = V_{CC}$ or GND; $V_{CC} = 5.5\text{ V}$ ; $V_{EE} = 0\text{ V}$	-	-	$\pm 0.1$	$\mu\text{A}$	
OFF-state leakage current	$I_{S(\text{OFF})}$	$V_{CC} = 9.0\text{ V}$ ; $V_{EE} = 0\text{ V}$ ; $V_I = V_{IH}$ or $V_{IL}$ ; $ V_{SW}  = V_{CC} - V_{EE}$ ; see Figure 7	per channel	-	-	$\pm 0.1$	$\mu\text{A}$
			all channels	-	-	$\pm 0.1$	$\mu\text{A}$
ON-state leakage current	$I_{S(\text{ON})}$	$V_{CC} = 9.0\text{ V}$ ; $V_{EE} = 0\text{ V}$ ; $V_I = V_{IH}$ or $V_{IL}$ ; $ V_{SW}  = V_{CC} - V_{EE}$ ; see Figure 8	-	-	$\pm 0.1$	$\mu\text{A}$	
supply current	$I_{CC}$	$V_I = V_{CC}$ or GND; $V_{is} = V_{EE}$ or $V_{CC}$ ; $V_{os} = V_{CC}$ or $V_{EE}$ ;	$V_{CC} = 5.5\text{ V}$ ; $V_{EE} = 0\text{ V}$	-	-	8.0	$\mu\text{A}$
			$V_{CC} = 4.5\text{ V}$ ; $V_{EE} = -4.5\text{ V}$	-	-	16.0	$\mu\text{A}$
additional supply current	$\Delta I_{CC}$	per input; $V_I = V_{CC} - 2.1\text{ V}$ ; other inputs at $V_{CC}$ or GND; $V_{CC} = 4.5\text{ V}$ to $5.5\text{ V}$ ; $V_{EE} = 0\text{ V}$	-	50	180	$\mu\text{A}$	
input capacitance	$C_I$	-	-	3.5	-	pF	
switch capacitance	$C_{SW}$	independent pins nYn	-	5	-	pF	
		common pins nZ	-	8	-	pF	

Note:

[1]  $V_I = V_{IH}$  or  $V_{IL}$ ; for test circuit see Figure 5.

[2]  $V_{is}$  is the input voltage at a nYn or nZ terminal, whichever is assigned as an input.

[3]  $V_{os}$  is the output voltage at a nYn or nZ terminal, whichever is assigned as an output.

### 3.3.2 DC Characteristics 2

( $T_{amb} = -40^\circ\text{C} \sim 85^\circ\text{C}$ , voltages are reference to GND (ground=0V), unless otherwise specified, unless otherwise specified.)

Parameter	Symbol	Conditions	Min.	Typ.	Max.	Unit	
ON resistance (peak)	$R_{ON(\text{peak})}$	$V_{is} = V_{CC}$ to $V_{EE}$ ; $I_{SW} = 1000\text{ }\mu\text{A}$	$V_{CC} = 4.5\text{ V}$ ; $V_{EE} = 0\text{ V}$	-	-	225	$\Omega$
			$V_{CC} = 6.0\text{ V}$ ; $V_{EE} = 0\text{ V}$	-	-	200	$\Omega$
			$V_{CC} = 4.5\text{ V}$ ; $V_{EE} = -4.5\text{ V}$	-	-	165	$\Omega$
		$V_{is} = V_{EE}$ ; $I_{SW} = 1000\text{ }\mu\text{A}$	$V_{CC} = 4.5\text{ V}$ ; $V_{EE} = 0\text{ V}$	-	-	175	$\Omega$
			$V_{CC} = 6.0\text{ V}$ ; $V_{EE} = 0\text{ V}$	-	-	150	$\Omega$



# 深圳市灵星芯微电子科技有限公司

Shenzhen Lingxing Microelectronics Technology Co., Ltd.

版次: B1

编号: SN74HC/HCT4053-LX-A053

ON resistance (rail)	$R_{ON(rail)}$		$V_{CC} = 4.5\text{ V};$ $V_{EE} = -4.5\text{ V}$	-	-	130	$\Omega$
		$V_{is} = V_{CC};$ $I_{SW} = 1000\text{ uA}$	$V_{CC} = 4.5\text{ V};$ $V_{EE} = 0\text{ V}$	-	-	200	$\Omega$
			$V_{CC} = 6.0\text{ V};$ $V_{EE} = 0\text{ V}$	-	-	175	$\Omega$
			$V_{CC} = 4.5\text{ V};$ $V_{EE} = -4.5\text{ V}$	-	-	150	$\Omega$
ON resistance mismatch between channels	$\Delta R_{ON}$	$V_{is} = V_{CC}\text{ to }V_{EE}$	$V_{CC} = 4.5\text{ V};$ $V_{EE} = 0\text{ V}$	-	-	-	$\Omega$
			$V_{CC} = 6.0\text{ V};$ $V_{EE} = 0\text{ V}$	-	-	-	$\Omega$
			$V_{CC} = 4.5\text{ V};$ $V_{EE} = -4.5\text{ V}$	-	-	-	$\Omega$
<b>SN74HC4053</b>							
HIGH-level input voltage	$V_{IH}$		$V_{CC} = 4.5\text{ V}$	3.15	-	-	V
			$V_{CC} = 6.0\text{ V}$	4.2	-	-	V
			$V_{CC} = 9.0\text{ V}$	6.3	-	-	V
LOW-level input voltage	$V_{IL}$		$V_{CC} = 4.5\text{ V}$	-	-	1.35	V
			$V_{CC} = 6.0\text{ V}$	-	-	1.8	V
			$V_{CC} = 9.0\text{ V}$	-	-	2.7	V
input leakage current	$I_I$	$V_{EE} = 0\text{ V};$ $V_I = V_{CC}\text{ or GND}$	$V_{CC} = 6.0\text{ V}$	-	-	$\pm 1.0$	$\mu\text{A}$
			$V_{CC} = 9.0\text{ V}$	-	-	$\pm 2.0$	$\mu\text{A}$
OFF-state leakage current	$I_{S(OFF)}$	$V_{CC} = 9.0\text{ V};$ $V_{EE} = 0\text{ V};$ $V_I = V_{IH}\text{ or }V_{IL};$ $ V_{SW}  = V_{CC} - V_{EE};$ see Figure 7	per channel	-	-	$\pm 1.0$	$\mu\text{A}$
			all channels	-	-	$\pm 1.0$	$\mu\text{A}$
ON-state leakage current	$I_{S(ON)}$	$V_I = V_{IH}\text{ or }V_{IL};$ $ V_{SW}  = V_{CC} - V_{EE}; V_{CC} = 9.0\text{ V};$ $V_{EE} = 0\text{ V};$ see Figure 8		-	-	$\pm 1.0$	$\mu\text{A}$
supply current	$I_{CC}$	$V_{EE} = 0\text{ V};$ $V_I = V_{CC}\text{ or GND};$ $V_{is} = V_{EE}\text{ or }V_{CC};$ $V_{os} = V_{CC}\text{ or }V_{EE}$	$V_{CC} = 6.0\text{ V}$	-	-	80.0	$\mu\text{A}$
			$V_{CC} = 9.0\text{ V}$	-	-	160.0	$\mu\text{A}$
input capacitance	$C_I$		-	-	-	-	pF
switch capacitance	$C_{SW}$	independent pins nYn		-	-	-	pF
		common pins nZ		-	-	-	pF
<b>SN74HCT4053</b>							



HIGH-level input voltage	$V_{IH}$	$V_{CC} = 4.5\text{ V to }5.5\text{ V}$	2.0	-	-	V	
LOW-level input voltage	$V_{IL}$	$V_{CC} = 4.5\text{ V to }5.5\text{ V}$	-	-	0.8	V	
input leakage current	$I_I$	$V_I = V_{CC}\text{ or GND};$ $V_{CC} = 5.5\text{ V}; V_{EE} = 0\text{ V}$	-	-	$\pm 1.0$	$\mu\text{A}$	
OFF-state leakage current	$I_{S(OFF)}$	$V_{CC} = 9.0\text{ V};$ $V_{EE} = 0\text{ V};$ $V_I = V_{IH}\text{ or }V_{IL};$ $ V_{SW}  = V_{CC} - V_{EE};$ see Figure 7	per channel	-	-	$\pm 1.0$	$\mu\text{A}$
			all channels	-	-	$\pm 1.0$	$\mu\text{A}$
ON-state leakage current	$I_{S(ON)}$	$V_{CC} = 9.0\text{ V}; V_{EE} = 0\text{ V};$ $V_I = V_{IH}\text{ or }V_{IL};  V_{SW}  = V_{CC} - V_{EE};$ see Figure 8	-	-	$\pm 1.0$	$\mu\text{A}$	
supply current	$I_{CC}$	$V_I = V_{CC}\text{ or GND};$ $V_{is} = V_{EE}\text{ or }V_{CC};$ $V_{os} = V_{CC}\text{ or }V_{EE}$	$V_{CC} = 5.5\text{ V};$ $V_{EE} = 0\text{ V}$	-	-	80.0	$\mu\text{A}$
			$V_{CC} = 4.5\text{ V};$ $V_{EE} = -4.5\text{ V}$	-	-	160	$\mu\text{A}$
additional supply current	$\Delta I_{CC}$	per input; $V_I = V_{CC} - 2.1\text{ V};$ other inputs at $V_{CC}\text{ or GND};$ $V_{CC} = 4.5\text{ V to }5.5\text{ V}; V_{EE} = 0\text{ V}$	-	-	225	$\mu\text{A}$	
input capacitance	$C_I$	-	-	-	-	pF	
switch capacitance	$C_{SW}$	independent pins nYn	-	-	-	pF	
		common pins nZ	-	-	-	pF	

Note:

[1]  $V_I = V_{IH}\text{ or }V_{IL}$ ; for test circuit see Figure 5.

[2]  $V_{is}$  is the input voltage at a nYn or nZ terminal, whichever is assigned as an input.

[3]  $V_{os}$  is the output voltage at a nYn or nZ terminal, whichever is assigned as an output.

### 3.3.3 AC Characteristics 1

( $T_{amb} = 25^\circ\text{C}$ ,  $\text{GND} = 0\text{ V}$ ;  $t_r = t_f = 6\text{ ns}$ ;  $C_L = 50\text{ pF}$ ; unless otherwise specified.)

Parameter	Symbol	Conditions	Min.	Typ.	Max.	Unit	
<b>SN74HC4053</b>							
propagation delay	$t_{pd}$	$V_{is}\text{ to }V_{os};$ $R_L = \infty\ \Omega;$ see Figure 9 <sup>[1]</sup>	$V_{CC} = 4.5\text{ V};$ $V_{EE} = 0\text{ V}$	-	5	12	ns
			$V_{CC} = 6.0\text{ V};$ $V_{EE} = 0\text{ V}$	-	4	10	ns
			$V_{CC} = 4.5\text{ V};$ $V_{EE} = -4.5\text{ V}$	-	4	8	ns
			$V_{CC} = 4.5\text{ V};$ $V_{EE} = 0\text{ V}$	-	20	44	ns



# 深圳市灵星芯微电子科技有限公司

Shenzhen Lingxing Microelectronics Technology Co., Ltd.

版次: B1

编号: SN74HC/HCT4053-LX-A053

turn-on time	$t_{on}$	$\bar{E}$ to $V_{os}$ ; $R_L = \infty \Omega$ ; see Figure 10 <sup>[2]</sup>	$V_{CC} = 5.0 V$ ; $V_{EE} = 0 V$ ; $C_L = 15 pF$	-	17	-	ns
			$V_{CC} = 6.0 V$ ; $V_{EE} = 0 V$	-	16	37	ns
		$S_n$ to $V_{os}$ ; $R_L = \infty \Omega$ ; see Figure 10 <sup>[2]</sup>	$V_{CC} = 4.5 V$ ; $V_{EE} = -4.5 V$	-	15	31	ns
			$V_{CC} = 4.5 V$ ; $V_{EE} = 0 V$	-	25	44	ns
			$V_{CC} = 5.0 V$ ; $V_{EE} = 0 V$ ; $C_L = 15 pF$	-	21	-	ns
			$V_{CC} = 6.0 V$ ; $V_{EE} = 0 V$	-	20	37	ns
			$V_{CC} = 4.5 V$ ; $V_{EE} = -4.5 V$	-	15	31	ns
			$V_{CC} = 4.5 V$ ; $V_{EE} = 0 V$	-	21	42	ns
turn-off time	$t_{off}$	$\bar{E}$ to $V_{os}$ ; $R_L = 1 k\Omega$ ; see Figure 10 <sup>[3]</sup>	$V_{CC} = 5.0 V$ ; $V_{EE} = 0 V$ ; $C_L = 15 pF$	-	18	-	ns
			$V_{CC} = 6.0 V$ ; $V_{EE} = 0 V$	-	17	36	ns
			$V_{CC} = 4.5 V$ ; $V_{EE} = -4.5 V$	-	15	29	ns
			$V_{CC} = 4.5 V$ ; $V_{EE} = 0 V$	-	20	42	ns
		$S_n$ to $V_{os}$ ; $R_L = 1 k\Omega$ ; see Figure 10 <sup>[3]</sup>	$V_{CC} = 5.0 V$ ; $V_{EE} = 0 V$ ; $C_L = 15 pF$	-	17	-	ns
			$V_{CC} = 6.0 V$ ; $V_{EE} = 0 V$	-	16	36	ns
			$V_{CC} = 4.5 V$ ; $V_{EE} = -4.5 V$	-	15	29	ns
			$V_{CC} = 4.5 V$ ; $V_{EE} = 0 V$	-	15	29	ns
power dissipation capacitance	$C_{PD}$	per switch; $V_I = GND$ to $V_{CC}$ <sup>[4]</sup>	-	36	-	pF	
<b>SN74HCT4053</b>							
propagation delay	$t_{pd}$	$V_{is}$ to $V_{os}$ ; $R_L = \infty \Omega$ ; see Figure 9 <sup>[1]</sup>	$V_{CC} = 4.5 V$ ; $V_{EE} = 0 V$	-	5	12	ns
			$V_{CC} = 4.5 V$ ; $V_{EE} = -4.5 V$	-	4	8	ns



# 深圳市灵星芯微电子科技有限公司

Shenzhen Lingxing Microelectronics Technology Co., Ltd.

版次: B1

编号: SN74HC/HCT4053-LX-A053

turn-on time	$t_{on}$	$\bar{E}$ to $V_{os}$ ; $R_L = \infty \Omega$ ; see Figure 10 <sup>[2]</sup>	$V_{CC} = 4.5 V$ ; $V_{EE} = 0 V$	-	27	48	ns
			$V_{CC} = 5.0 V$ ; $V_{EE} = 0 V$ ; $C_L = 15 pF$	-	23	-	ns
			$V_{CC} = 4.5 V$ ;	-	16	34	ns
		$S_n$ to $V_{os}$ ; $R_L = \infty \Omega$ ; see Figure 10 <sup>[2]</sup>	$V_{EE} = -4.5 V$				
			$V_{CC} = 4.5 V$ ; $V_{EE} = 0 V$	-	25	48	ns
			$V_{CC} = 5.0 V$ ; $V_{EE} = 0 V$ ; $C_L = 15 pF$	-	21	-	ns
		$\bar{E}$ to $V_{os}$ ; $R_L = 1 k\Omega$ ; see Figure 10 <sup>[3]</sup>	$V_{CC} = 4.5 V$ ; $V_{EE} = 0 V$	-	24	44	ns
			$V_{CC} = 5.0 V$ ; $V_{EE} = 0 V$ ; $C_L = 15 pF$	-	20	-	ns
			$V_{CC} = 4.5 V$ ; $V_{EE} = -4.5 V$	-	15	31	ns
		$S_n$ to $V_{os}$ ; $R_L = 1 k\Omega$ ; see Figure 10 <sup>[3]</sup>	$V_{CC} = 4.5 V$ ; $V_{EE} = 0 V$	-	22	44	ns
			$V_{CC} = 5.0 V$ ; $V_{EE} = 0 V$ ; $C_L = 15 pF$	-	19	-	ns
			$V_{CC} = 4.5 V$ ; $V_{EE} = -4.5 V$	-	15	31	ns
power dissipation capacitance	$C_{PD}$	per switch; $V_I = GND$ to $V_{CC} - 1.5V$ <sup>[4]</sup>		-	36	-	pF

Note:

[1]  $t_{pd}$  is the same as  $t_{PHL}$  and  $t_{PLH}$ .

[2]  $t_{on}$  is the same as  $t_{PZH}$  and  $t_{PZL}$ .

[3]  $t_{off}$  is the same as  $t_{PHZ}$  and  $t_{PLZ}$ .

[4]  $C_{PD}$  is used to determine the dynamic power dissipation ( $P_D$  in  $\mu W$ ).

$$P_D = C_{PD} \times V_{CC}^2 \times f_i \times N + \Sigma \{ (C_L + C_{SW}) \times V_{CC}^2 \times f_o \} \text{ where:}$$

$f_i$  = input frequency in MHz;

$f_o$  = output frequency in MHz;

$N$  = number of inputs switching;

$\Sigma \{ (C_L + C_{SW}) \times V_{CC}^2 \times f_o \}$  = sum of outputs;

$C_L$  = output load capacitance in pF;

$C_{SW}$  = switch capacitance in pF;



$V_{CC}$  = supply voltage in V.

[5] For test circuit see Figure 11.

[6]  $V_{is}$  is the input voltage at a nYn or nZ terminal, whichever is assigned as an input.

[7]  $V_{os}$  is the output voltage at a nYn or nZ terminal, whichever is assigned as an output.



3.3.4 、 AC Characteristics 2

( $T_{amb} = -40^{\circ}\text{C} \sim +85^{\circ}\text{C}$ ;  $GND = 0\text{ V}$ ;  $t_r = t_f = 6\text{ ns}$ ;  $C_L = 50\text{ pF}$ ; unless otherwise specified.)

Parameter	Symbol	Conditions	Min.	Typ.	Max.	Unit	
<b>SN74HC4053</b>							
propagation delay	$t_{pd}$	$V_{is}$ to $V_{os}$ ; $R_L = \infty \Omega$ ; see Figure 9 <sup>[1]</sup>	$V_{CC} = 4.5\text{ V}$ ; $V_{EE} = 0\text{ V}$	-	-	15	ns
			$V_{CC} = 6.0\text{ V}$ ; $V_{EE} = 0\text{ V}$	-	-	13	ns
			$V_{CC} = 4.5\text{ V}$ ; $V_{EE} = -4.5\text{ V}$	-	-	10	ns
turn-on time	$t_{on}$	$\bar{E}$ to $V_{os}$ ; $R_L = \infty \Omega$ ; see Figure 10 <sup>[2]</sup>	$V_{CC} = 4.5\text{ V}$ ; $V_{EE} = 0\text{ V}$	-	-	55	ns
			$V_{CC} = 6.0\text{ V}$ ; $V_{EE} = 0\text{ V}$	-	-	47	ns
			$V_{CC} = 4.5\text{ V}$ ; $V_{EE} = -4.5\text{ V}$	-	-	39	ns
		$Sn$ to $V_{os}$ ; $R_L = \infty \Omega$ ; see Figure 10 <sup>[2]</sup>	$V_{CC} = 4.5\text{ V}$ ; $V_{EE} = 0\text{ V}$	-	-	55	ns
			$V_{CC} = 6.0\text{ V}$ ; $V_{EE} = 0\text{ V}$	-	-	47	ns
			$V_{CC} = 4.5\text{ V}$ ; $V_{EE} = -4.5\text{ V}$	-	-	39	ns
turn-off time	$t_{off}$	$\bar{E}$ to $V_{os}$ ; $R_L = 1\text{ k}\Omega$ ; see Figure 10 <sup>[3]</sup>	$V_{CC} = 4.5\text{ V}$ ; $V_{EE} = 0\text{ V}$	-	-	53	ns
			$V_{CC} = 6.0\text{ V}$ ; $V_{EE} = 0\text{ V}$	-	-	45	ns
			$V_{CC} = 4.5\text{ V}$ ; $V_{EE} = -4.5\text{ V}$	-	-	36	ns
		$Sn$ to $V_{os}$ ; $R_L = 1\text{ k}\Omega$ ; see Figure 10 <sup>[3]</sup>	$V_{CC} = 4.5\text{ V}$ ; $V_{EE} = 0\text{ V}$	-	-	53	ns
			$V_{CC} = 6.0\text{ V}$ ; $V_{EE} = 0\text{ V}$	-	-	45	ns
			$V_{CC} = 4.5\text{ V}$ ; $V_{EE} = -4.5\text{ V}$	-	-	36	ns
power dissipation capacitance	$C_{PD}$	per switch; $V_I = GND$ to $V_{CC}$ <sup>[4]</sup>	-	-	-	pF	
<b>SN74HCT4053</b>							
propagation delay	$t_{pd}$	$V_{is}$ to $V_{os}$ ; $R_L = \infty \Omega$ ; see Figure 9 <sup>[1]</sup>	$V_{CC} = 4.5\text{ V}$ ; $V_{EE} = 0\text{ V}$	-	-	15	ns
			$V_{CC} = 4.5\text{ V}$ ; $V_{EE} = -4.5\text{ V}$	-	-	10	ns





# 深圳市灵星芯微电子科技有限公司

Shenzhen Lingxing Microelectronics Technology Co., Ltd.

版次: B1

编号: SN74HC/HCT4053-LX-A053

turn-on time	$t_{on}$	$\bar{E}$ to $V_{os}$ ;	$V_{CC} = 4.5 V$ ;	-	-	60	ns
		$R_L = \infty \Omega$ ; see Figure 10 <sup>[2]</sup>	$V_{EE} = 0 V$				
			$V_{CC} = 4.5 V$ ; $V_{EE} = -4.5 V$	-	-	43	ns
		Sn to $V_{os}$ ; $R_L = \infty \Omega$ ; see Figure 10 <sup>[2]</sup>	$V_{CC} = 4.5 V$ ; $V_{EE} = 0 V$	-	-	60	ns
			$V_{CC} = 4.5 V$ ; $V_{EE} = -4.5 V$	-	-	43	ns
turn-off time	$t_{off}$	$\bar{E}$ to $V_{os}$ ; $R_L = 1 k\Omega$ ; see Figure 10 <sup>[3]</sup>	$V_{CC} = 4.5 V$ ; $V_{EE} = 0 V$	-	-	55	ns
			$V_{CC} = 4.5 V$ ; $V_{EE} = -4.5 V$	-	-	39	ns
		Sn to $V_{os}$ ; $R_L = 1 k\Omega$ ; see Figure 10 <sup>[3]</sup>	$V_{CC} = 4.5 V$ ; $V_{EE} = 0 V$	-	-	55	ns
			$V_{CC} = 4.5 V$ ; $V_{EE} = -4.5 V$	-	-	39	ns
power dissipation capacitance	$C_{PD}$	per switch; $V_I = GND$ to $V_{CC} - 1.5V$ <sup>[4]</sup>	-	-	-	pF	

Note:

[1]  $t_{pd}$  is the same as  $t_{PHL}$  and  $t_{PLH}$ .

[2]  $t_{on}$  is the same as  $t_{PZH}$  and  $t_{PZL}$ .

[3]  $t_{off}$  is the same as  $t_{PHZ}$  and  $t_{PLZ}$ .

[4]  $C_{PD}$  is used to determine the dynamic power dissipation ( $P_D$  in  $\mu W$ ).

$$P_D = C_{PD} \times V_{CC}^2 \times f_i \times N + \Sigma \{ (C_L + C_{SW}) \times V_{CC}^2 \times f_o \}$$
 where:

$f_i$  = input frequency in MHz;

$f_o$  = output frequency in MHz;

$N$  = number of inputs switching;

$\Sigma \{ (C_L + C_{SW}) \times V_{CC}^2 \times f_o \}$  = sum of outputs;

$C_L$  = output load capacitance in pF;

$C_{SW}$  = switch capacitance in pF;

$V_{CC}$  = supply voltage in V.

[5] For test circuit see Figure 11.

[6]  $V_{is}$  is the input voltage at a nYn or nZ terminal, whichever is assigned as an input.

[7]  $V_{os}$  is the output voltage at a nYn or nZ terminal, whichever is assigned as an output.



### 3.3.5 、 AC Characteristics 3

( $T_{amb}= 25^{\circ}\text{C}$ ;  $\text{GND} = 0\text{V}$ ;  $C_L=50\text{pF}$ ; recommended conditions and typical values.)

Parameter	Symbol	Conditions	Min.	Typ.	Max.	Unit	
sine-wave distortion	$d_{sin}$	$f_i = 1 \text{ kHz}$ ; $R_L = 10 \text{ k}\Omega$ ; see Figure 12	$V_{is} = 4.0 \text{ V (p-p)}$ ; $V_{CC} = 2.25 \text{ V}$ ; $V_{EE} = -2.25 \text{ V}$	-	0.04	-	%
			$V_{is} = 8.0 \text{ V (p-p)}$ ; $V_{CC} = 4.5 \text{ V}$ ; $V_{EE} = -4.5 \text{ V}$	-	0.02	-	%
		$f_i = 10 \text{ kHz}$ ; $R_L = 10 \text{ k}\Omega$ ; see Figure 12	$V_{is} = 4.0 \text{ V (p-p)}$ ; $V_{CC} = 2.25 \text{ V}$ ; $V_{EE} = -2.25 \text{ V}$	-	0.12	-	%
			$V_{is} = 8.0 \text{ V (p-p)}$ ; $V_{CC} = 4.5 \text{ V}$ ; $V_{EE} = -4.5 \text{ V}$	-	0.06	-	%
isolation (OFF-state)	$\alpha_{iso}$	$R_L = 600 \Omega$ ; $f_i = 1 \text{ MHz}$ ; see Figure 13	$V_{CC} = 2.25 \text{ V}$ ; <sup>[1]</sup> $V_{EE} = -2.25 \text{ V}$	-	-50	-	dB
			$V_{CC} = 4.5 \text{ V}$ ; <sup>[1]</sup> $V_{EE} = -4.5 \text{ V}$	-	-50	-	dB
crosstalk	Xtalk	between two switches/multiplexers; $R_L = 600 \Omega$ ; $f_i = 1 \text{ MHz}$ ; see Figure 14	$V_{CC} = 2.25 \text{ V}$ ; <sup>[1]</sup> $V_{EE} = -2.25 \text{ V}$	-	-60	-	dB
			$V_{CC} = 4.5 \text{ V}$ ; <sup>[1]</sup> $V_{EE} = -4.5 \text{ V}$	-	-60	-	dB
crosstalk voltage	$V_{ct}$	peak-to-peak value; between control and any switch; $R_L = 600 \Omega$ ; $f_i = 1 \text{ MHz}$ ; E or Sn square wave between $V_{CC}$ and GND; $t_r = t_f = 6 \text{ ns}$ ; see Figure 15	$V_{CC} = 4.5 \text{ V}$ ; $V_{EE} = 0 \text{ V}$	-	110	-	mV
			$V_{CC} = 4.5 \text{ V}$ ; $V_{EE} = -4.5 \text{ V}$	-	220	-	mV
-3dB frequency response	$f_{(-3dB)}$	$R_L = 50 \Omega$ ; see Figure 16	$V_{CC} = 2.25 \text{ V}$ ; <sup>[2]</sup> $V_{EE} = -2.25 \text{ V}$	-	160	-	MHz
			$V_{CC} = 4.5 \text{ V}$ ; <sup>[2]</sup> $V_{EE} = -4.5 \text{ V}$	-	170	-	MHz

Note:

[1] Adjust input voltage  $V_{is}$  to 0 dBm level (0 dBm = 1 mW into 600  $\Omega$ ).

[2] Adjust input voltage  $V_{is}$  to 0 dBm level at  $V_{os}$  for 1 MHz (0 dBm = 1 mW into 50  $\Omega$ ).

[3]  $V_{is}$  is the input voltage at a nYn or nZ terminal, whichever is assigned as an input.

[4]  $V_{os}$  is the output voltage at a nYn or nZ terminal, whichever is assigned as an output.



#### 4、Testing Circuit

##### 4.1、DC Testing Circuit 1

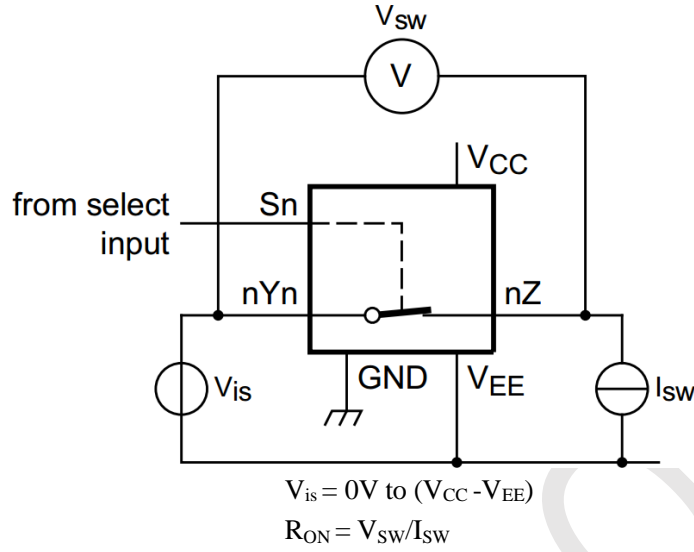
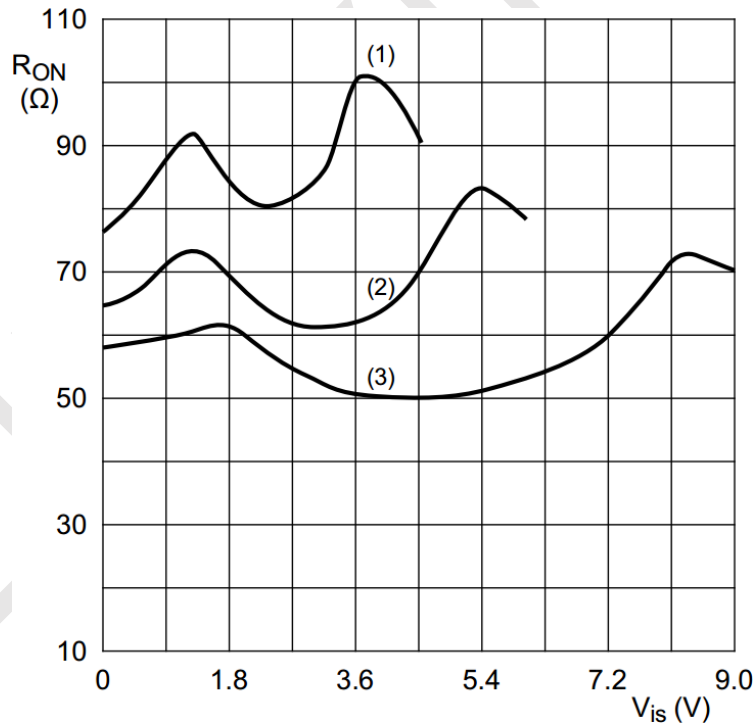


Figure 5. Test circuit for measuring  $R_{ON}$



$V_{is} = 0V \text{ to } (V_{CC} - V_{EE})$

(1)  $V_{CC} = 4.5V$

(2)  $V_{CC} = 6V$

(3)  $V_{CC} = 9V$

Figure 6. Typical  $R_{ON}$  as a function of input voltage  $V_{is}$



### 4.2、DC Testing Circuit 2

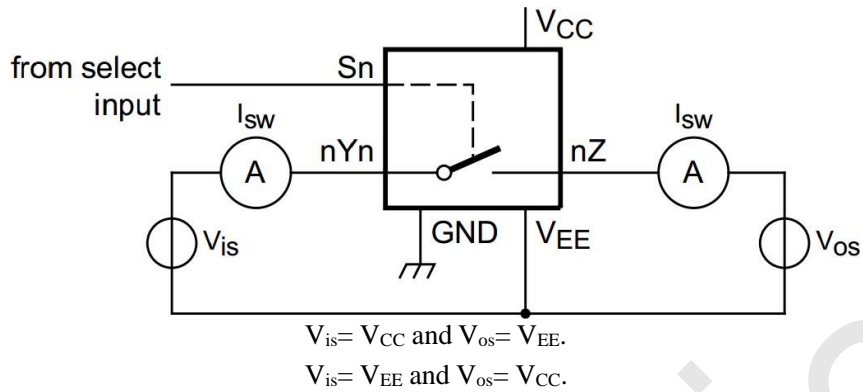


Figure 7. Test circuit for measuring OFF-state current

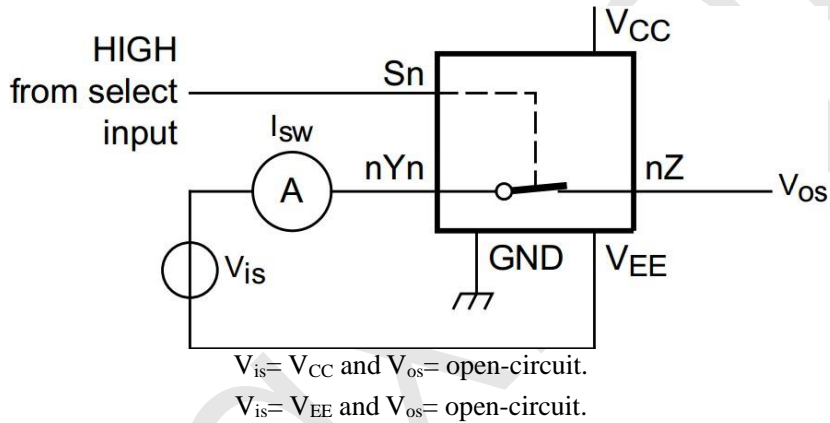


Figure 8. Test circuit for measuring ON-state current

### 4.3、AC Testing Waveforms

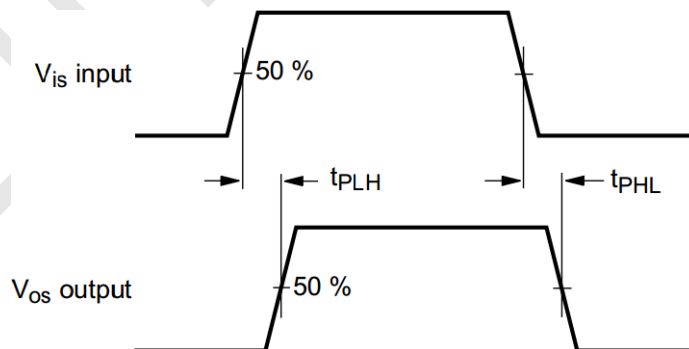


Figure 9. Input ( $V_{is}$ ) to output ( $V_{os}$ ) propagation delays

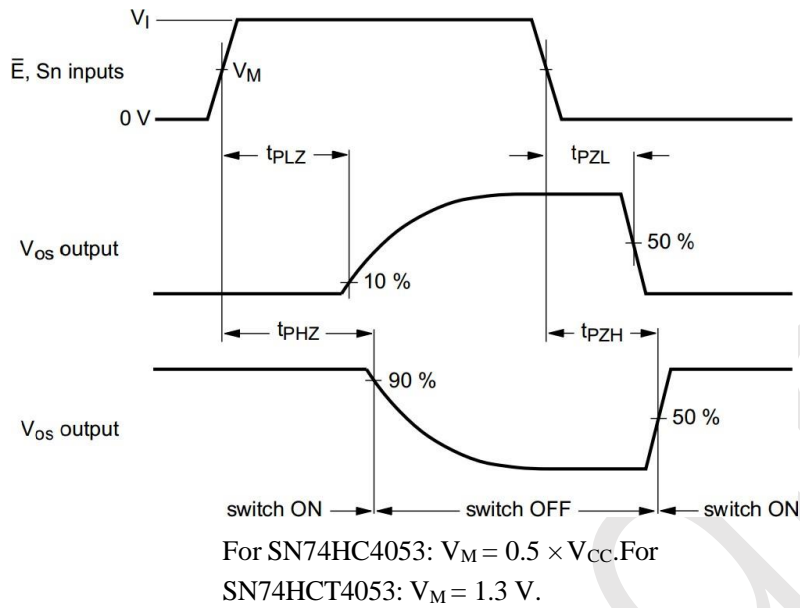


Figure 10. Turn-on and turn-off times

#### 4.4 AC Testing Circuit 1

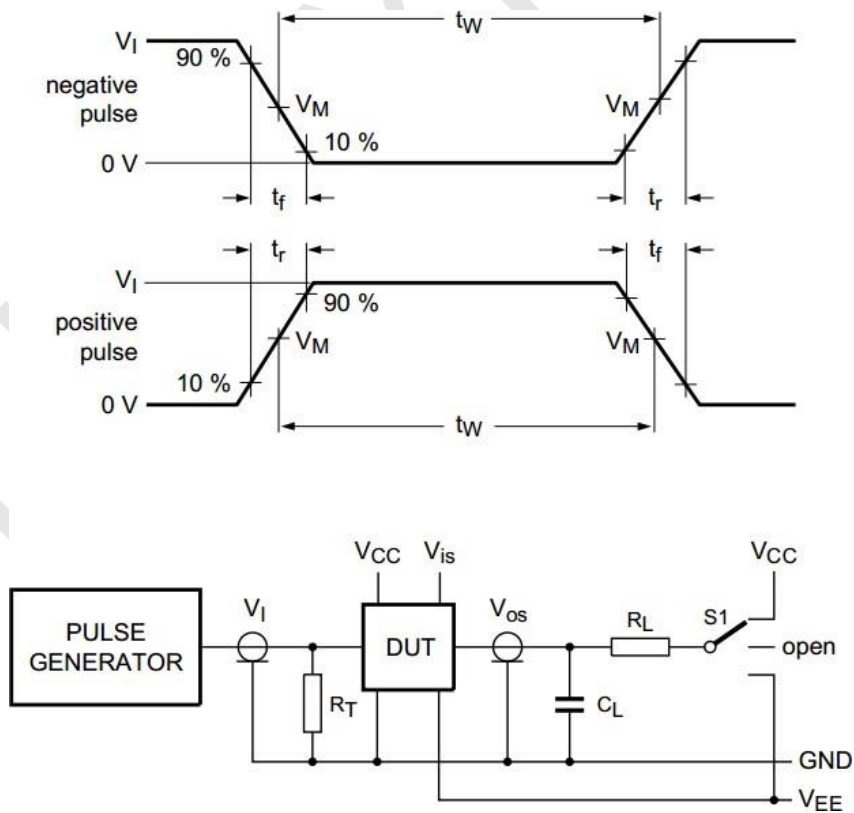


Figure 11. Test circuit for measuring switching times



Definitions for test circuit:

$R_T$  = termination resistance should be equal to the output impedance  $Z_O$  of the pulse generator.

$C_L$  = load capacitance including jig and probe capacitance.

$R_L$  = load resistance.

S1 = Test selection switch.

#### 4.5 、 Test Data

Test	Input				Load		S1 position
	$V_I$	$V_{is}$	$t_r, t_f$		$C_L$	$R_L$	
			at $f_{max}$	other <sup>[1]</sup>			
$t_{PHL}, t_{PLH}$	[2]	pulse	< 2ns	6ns	50pF	1k $\Omega$	open
$t_{PZH}, t_{PHZ}$	[2]	$V_{CC}$	< 2ns	6ns	50pF	1k $\Omega$	$V_{EE}$
$t_{PZL}, t_{PLZ}$	[2]	$V_{EE}$	< 2ns	6ns	50pF	1k $\Omega$	$V_{CC}$

Note:

[1]  $t_r = t_f = 6$  ns; when measuring  $f_{max}$ , there is no constraint to  $t_r$  and  $t_f$  with 50 % duty factor.

[2]  $V_I$  values:

For SN74HC4053:  $V_I = V_{CC}$ . For

SN74HCT4053:  $V_I = 3V$ .

#### 4.6 、 AC Testing Circuit 2

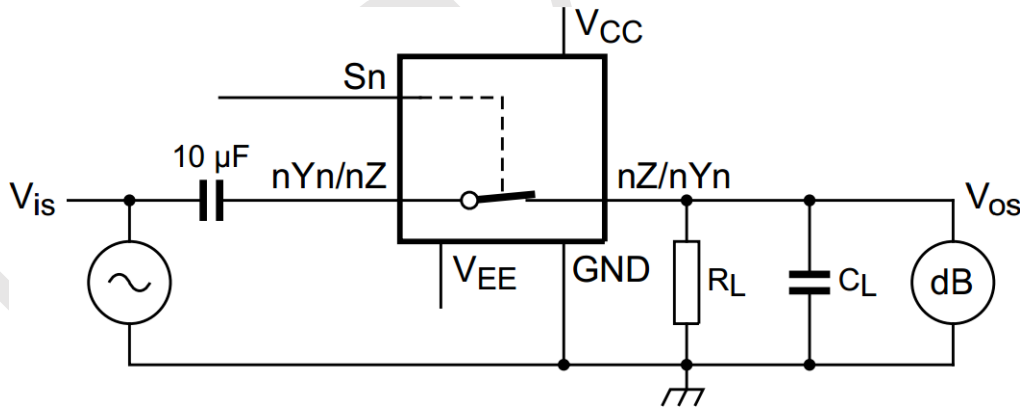
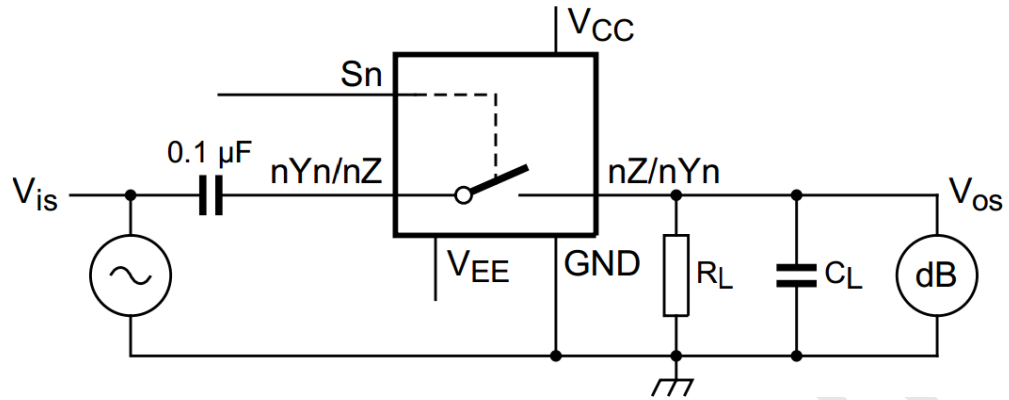
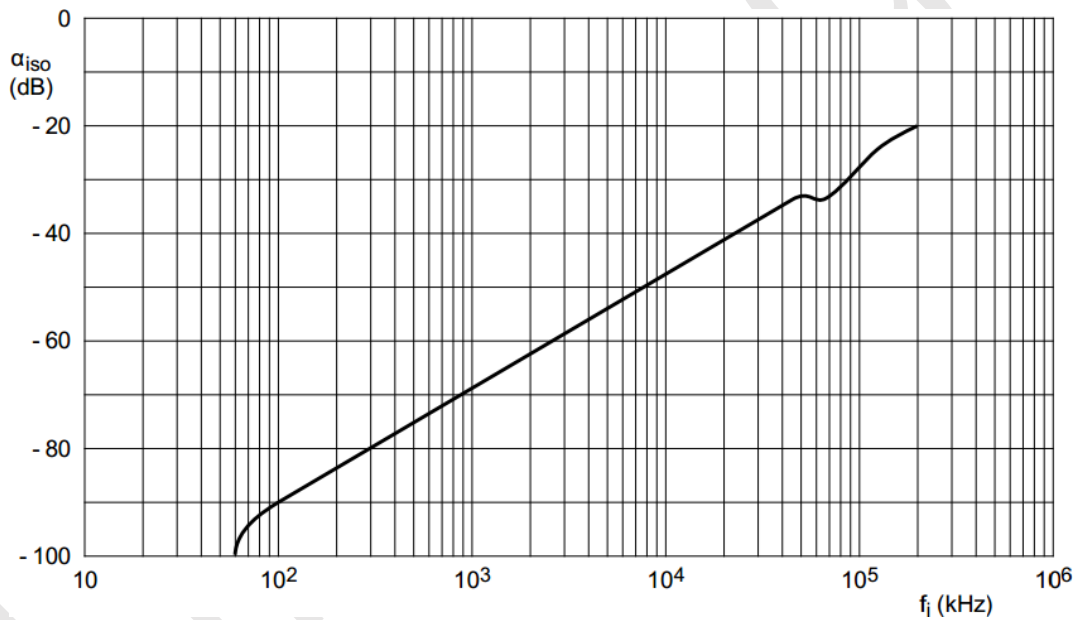


Figure 12. Test circuit for measuring sine-wave distortion



$V_{CC} = 4.5 \text{ V}$ ;  $GND = 0 \text{ V}$ ;  $V_{EE} = -4.5 \text{ V}$ ;  $R_L = 600 \Omega$ ;  $R_S = 1 \text{ k}\Omega$ .

a. Test circuit



b. Isolation (OFF-state) as a function of frequency

Figure 13. Test circuit for measuring isolation (OFF-state)

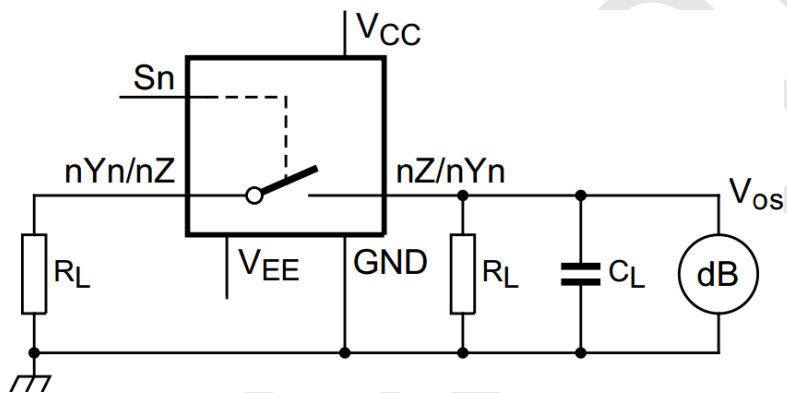
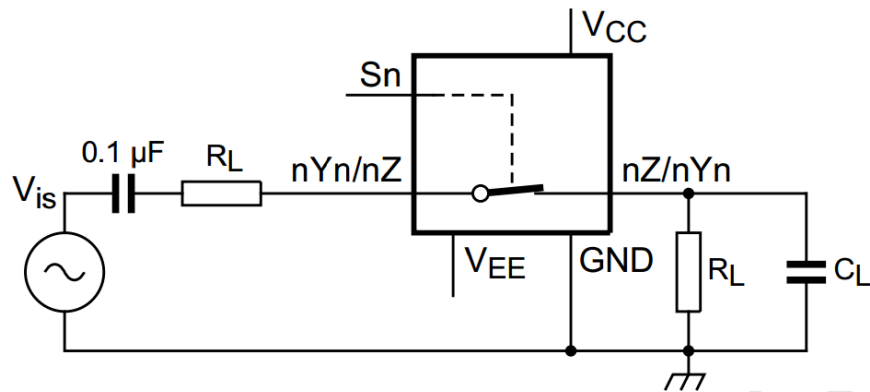


Figure 14. Test circuit for measuring crosstalk between control input and any switch

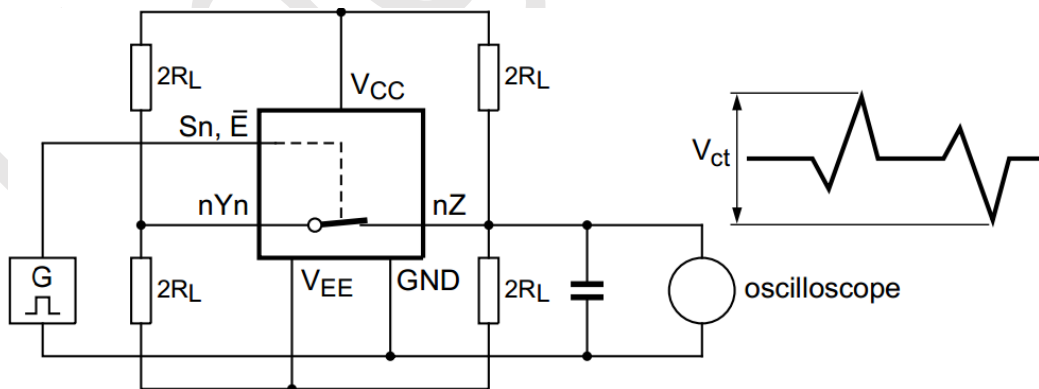
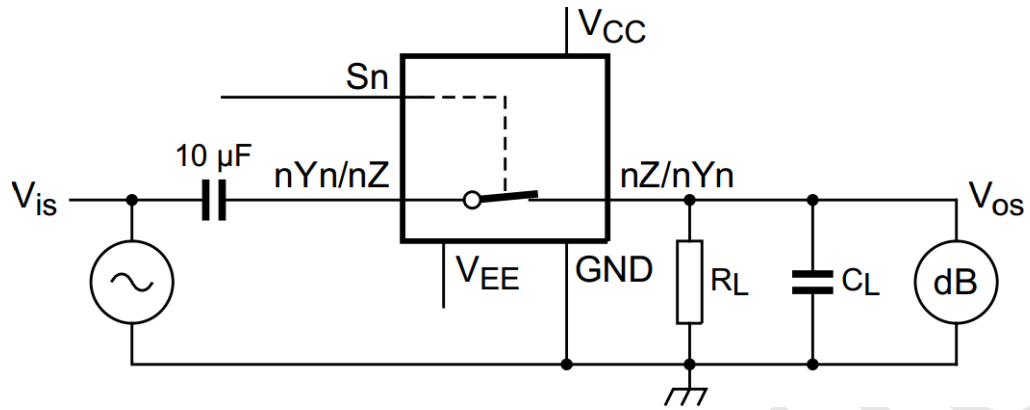


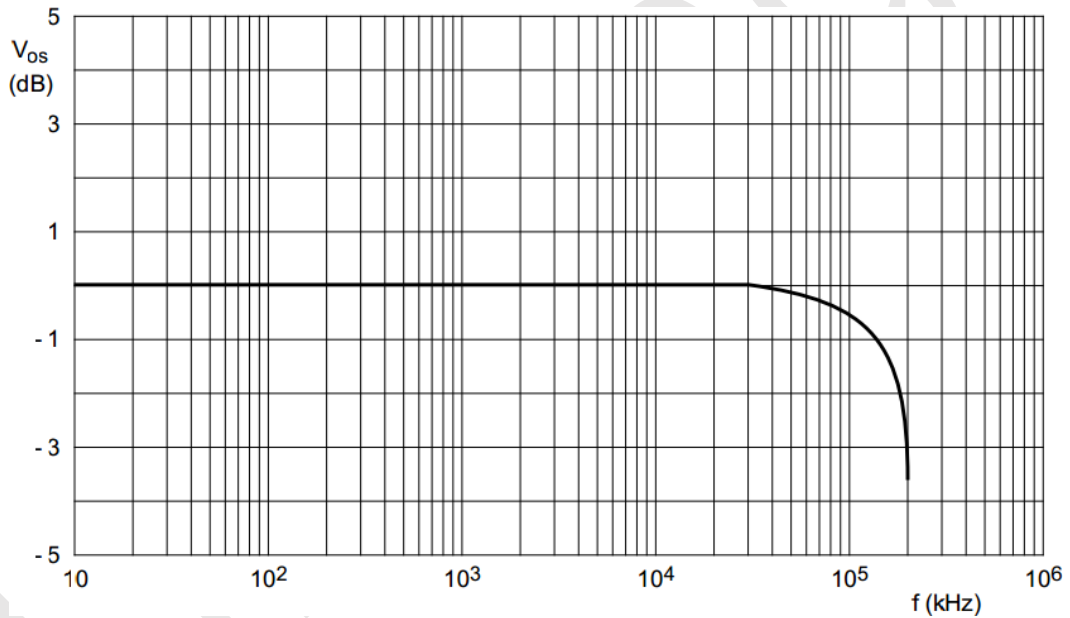
Figure 15. Test circuit for measuring crosstalk between control input and any switch





$V_{CC} = 4.5 \text{ V}; GND = 0 \text{ V}; V_{EE} = -4.5 \text{ V}; R_L = 50 \Omega; R_S = 1 \text{ k}\Omega$

a. Test circuit



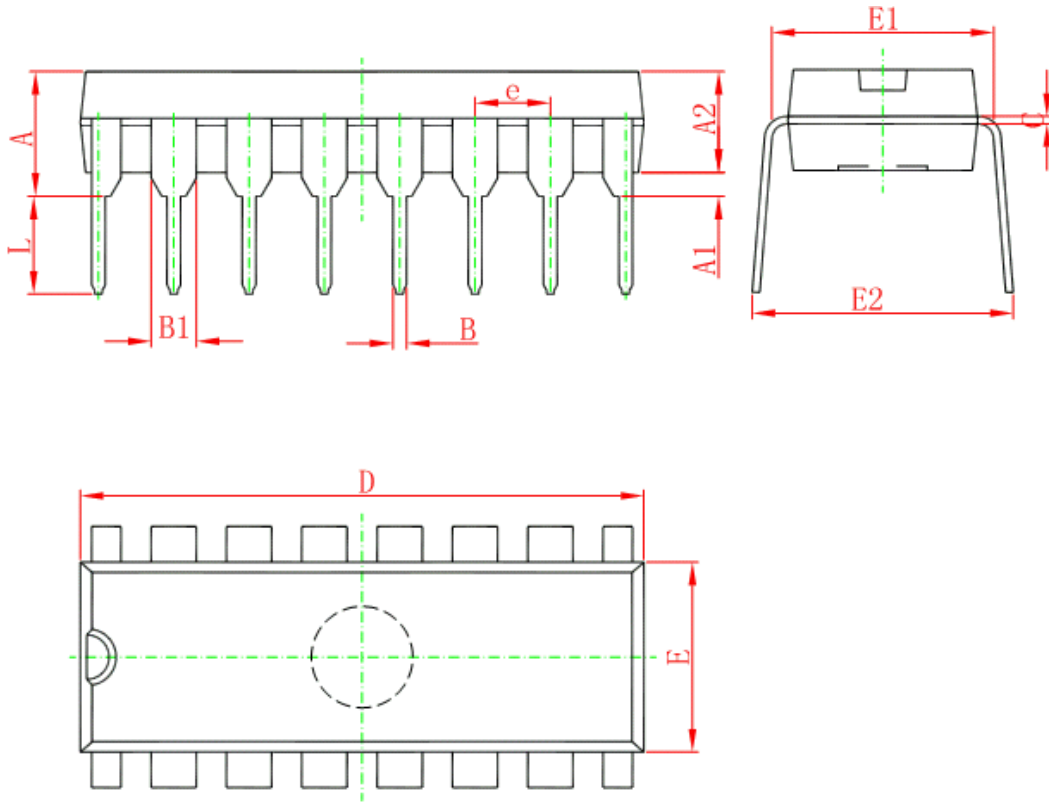
b. Typical frequency response

Figure 16. Test circuit for frequency response



## 5、Package Information

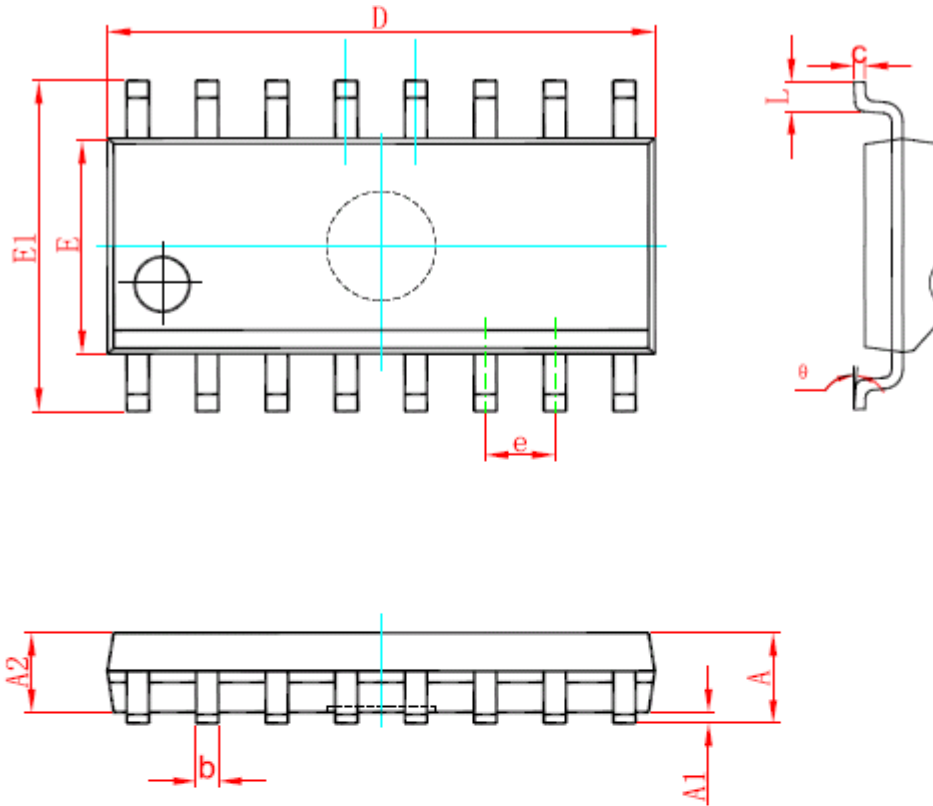
### 5.1、DIP16



Symbol	Dimensions In Millimeters		Dimensions In Inches	
	Min	Max	Min	Max
A	3.710	4.310	0.146	0.170
A1	0.510		0.020	
A2	3.200	3.600	0.126	0.142
B	0.380	0.570	0.015	0.022
B1	1.524 (BSC)		0.060 (BSC)	
C	0.204	0.360	0.008	0.014
D	18.800	19.200	0.740	0.756
E	6.200	6.600	0.244	0.260
E1	7.320	7.920	0.288	0.312
e	2.540 (BSC)		0.100 (BSC)	
L	3.000	3.600	0.118	0.142
E2	8.400	9.000	0.331	0.354



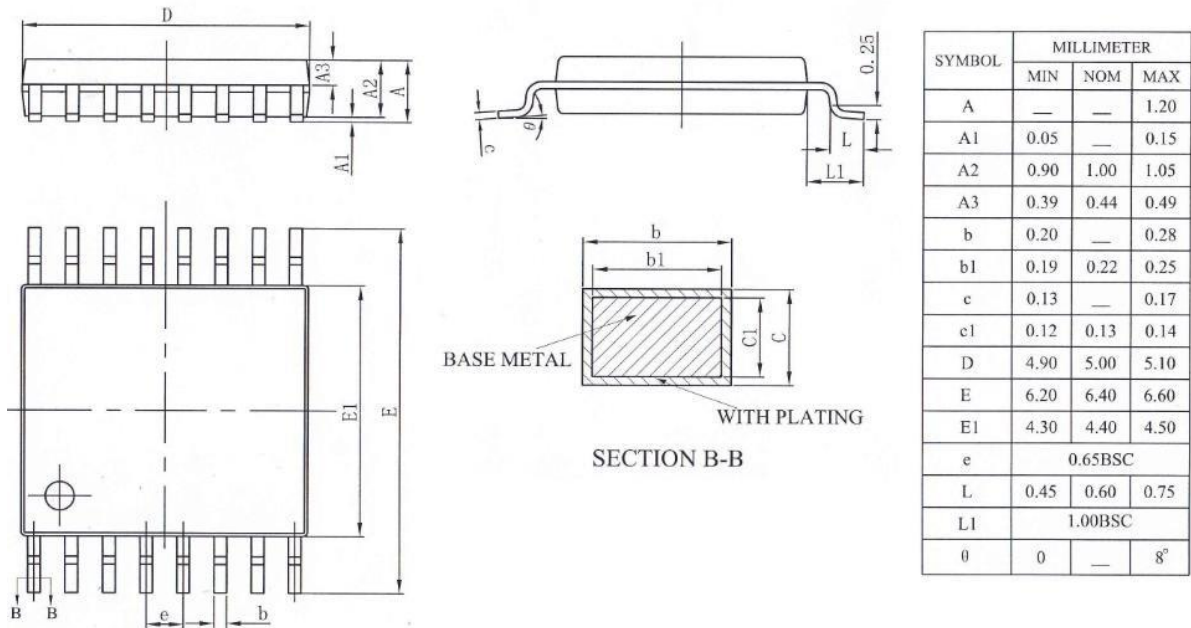
5.2、SOP16



Symbol	Dimensions In Millimeters		Dimensions In Inches	
	Min	Max	Min	Max
A	1.350	1.750	0.053	0.069
A1	0.100	0.250	0.004	0.010
A2	1.350	1.550	0.053	0.061
b	0.330	0.510	0.013	0.020
c	0.170	0.250	0.007	0.010
D	9.800	10.200	0.386	0.402
E	3.800	4.000	0.150	0.157
E1	5.800	6.200	0.228	0.244
e	1.270 (BSC)		0.050 (BSC)	
L	0.400	1.270	0.016	0.050
θ	0°	8°	0°	8°



5.3、TSSOP16





6、Statements And Notes

6.1、The name and content of Hazardous substances or Elements in the product

Part name	Hazardous substances or Elements									
	Lead and lead compounds	Mercury and mercury compounds	Cadmium and cadmium compounds	Hexavalent chromium compounds	Polybrominated biphenyls	Polybrominated biphenyl ethers	Dibutyl phthalate	Butylbenzyl phthalate	Di-2-ethylhexyl phthalate	Diisobutyl phthalate
Lead frame	○	○	○	○	○	○	○	○	○	○
Plastic resin	○	○	○	○	○	○	○	○	○	○
Chip	○	○	○	○	○	○	○	○	○	○
The lead	○	○	○	○	○	○	○	○	○	○
Plastic sheet installed	○	○	○	○	○	○	○	○	○	○
explanation	<p>○: Indicates that the content of hazardous substances or elements in the detection limit of the following the SJ/T11363-2006 standard.</p> <p>×: Indicates that the content of hazardous substances or elements exceeding the SJ/T11363-2006 Standard limit requirements.</p>									

6.2、Notion

Recommended carefully reading this information before the use of this product;

The information in this document are subject to change without notice;

This information is using to the reference only, the company is not responsible for any loss;

The company is not responsible for the any infringement of the third party patents or other rights of the responsibility.

## X-ON Electronics

Largest Supplier of Electrical and Electronic Components

*Click to view similar products for [Analogue Switch ICs](#) category:*

*Click to view products by [lingxingic](#) manufacturer:*

Other Similar products are found below :

[FSA3051TMX](#) [NLAS5223BLMNR2G](#) [NLX2G66DMUTCG](#) [TC74HC4066AFTEL](#) [425541DB](#) [DG403DY](#) [099044FB](#) [MAX4762ETB+](#)  
[NLAS3799BMNR2G](#) [NLAS5123MNR2G](#) [ISL84684IR](#) [PI5A4157CEX](#) [PI5A4599BCEX](#) [NLAS4717EPFCT1G](#) [PI5A3167CCEX](#)  
[SLAS3158MNR2G](#) [PI5A392AQE](#) [ADG714BCPZ-REEL7](#) [DG333ALDW-T1-E3](#) [ISL43113IB](#) [ISL43140IB](#) [ISL43140IBZ-T](#) [ISL43143IR](#)  
[ISL43L120IR](#) [ISL43L121IR](#) [ISL43L122IR](#) [ISL43L220IR](#) [ISL43L410IR](#) [ISL43L420IR](#) [ISL43L710IR](#) [ISL43L711IR](#) [ISL43L712IR](#)  
[ISL84053IA](#) [ISL84514IB](#) [ISL84516IB](#) [ISL84684IUZ-T](#) [LNLASB3157DFT2G](#) [NLAS324US](#) [NLASTV4599DFT2G](#) [TPW4053-SR](#)  
[WAS4642Q-24/TR](#) [ADG842YKSZ-REEL7](#) [WAS4766C-9/TR](#) [WAS7227Q-10/TR](#) [WAS4646C-36/TR](#) [WAS4735Q-16/TR](#) [BL1532TQFN](#)  
[RS2233YS16](#) [CH483M](#) [TMUX1248DCKR](#)