



灵星芯微 集成电路

SN74LS390 (LX) Dual Decade Ripple Counter

Product Specification

Specification Revision History:

Version	Date	Description
2022-08-A1	2022-08	New



灵星芯微 集成电路

Contents

1、 General Description.....	1
2、 Block Diagram And Pin Description	4
2.1、 Block Diagram	4
2.2、 Pin Configurations.....	4
2.3、 Pin Description.....	5
2.4、 Function Table.....	5
2.4.1、 BCD Count Sequence.....	5
2.4.2、 Bi-quinary Count Sequence.....	6
3、 Electrical Parameter	6
3.1、 Absolute Maximum Ratings.....	6
3.2、 Recommended Operating Conditions.....	7
3.3、 Electrical Characteristics	7
3.3.1、 DC Characteristics 1	7
3.3.2、 DC Characteristics 2	8
3.3.3、 DC Characteristics 3	9
3.3.4、 AC Characteristics 1	10
3.3.5、 AC Characteristics 2	11
3.3.6、 AC Characteristics 3	12
4、 Testing Circuit	13
4.1、 AC Testing Circuit	13
4.2、 AC Testing Waveforms.....	13
4.3、 Measurement Points	14
4.4、 Test Data	14
5、 Package Information	15
5.1、 DIP16	15
5.2、 SOP16	16
5.3、 TSSOP16.....	17
6、 Statements And Notes	18
6.1、 The name and content of Hazardous substances or Elements in the product.....	18
6.2、 Notes	18



灵星芯微 集成电路

1、General Description

The SN74LS390 is a dual 4-bit decade ripple counter divided into four separately clocked sections.

The counters have two divide-by-2 sections and two divide-by-5 sections. These sections share an asynchronous master reset input (nMR) and can be used in a BCD decade or bi-quinary configuration. If master reset inputs 1MR and 2MR are used to clear all 8 bits of the counter simultaneously, numerous counting configurations are possible within one package. Section clocks $\overline{nCP0}$ and $\overline{nCP1}$, allow ripple counter or frequency division applications of divide-by-2, 4, 5, 10, 20, 25, 50 or 100.

The HIGH-to-LOW transition of the clock inputs $\overline{nCP0}$ and $\overline{nCP1}$ trigger each section. For BCD decade operation, the nQ0 output is connected to the $\overline{nCP1}$ input of the divide-by-5 section. For bi-quinary decade operation, the nQ3 output is connected to the $\overline{nCP0}$ input and nQ0 becomes the decade output. A HIGH on the nMR input overrides the clocks and sets the four outputs LOW. Inputs include clamp diodes. It enables the use of current limiting resistors to interface inputs to voltages in excess of V_{CC} .

Features:

- Two BCD decade or bi-quinary counters
- One device can be configured to divide-by-2, 4, 5, 10, 20, 25, 50 or 100
- Two master reset inputs to clear each decade counter individually
- Specified from -40°C to $+125^{\circ}\text{C}$
- Packaging information: DIP16/SOP16/TSSOP16



灵星芯微 集成电路

深圳市灵星芯微电子科技有限公司

Shenzhen Lingxing Microelectronics Technology Co., Ltd.

Tab: 835-12-B4

Number: SN74LS390-AX-LJ-A089EN

Ordering Information:

Tube packing specifications:

Part number	Packaging form	Marking code	Tube quantity	Boxed tube quantity	Boxed quantity	Notes
SN74LS390N (LX)	DIP16	SN74LS390N	25 PCS/tube	40 tube/box	1000 PCS/box	Dimensions of plastic enclosure: 19.0mm×6.4mm Pin spacing: 2.54mm
SN74LS390D (LX)	SOP16	LS390	50 PCS/tube	200 tube/box	10000 PCS/box	Dimensions of plastic enclosure: 10.0mm×3.9mm Pin spacing: 1.27mm
SN74LS390PW (LX)	TSSOP16	LS390	96 PCS/tube	200 tube/box	19200 PCS/box	Dimensions of plastic enclosure: 5.0mm×4.4mm Pin spacing: 0.65mm



灵星芯微 精密经营

深圳市灵星芯微电子科技有限公司

Shenzhen Lingxing Microelectronics Technology Co., Ltd.

Tab: 835-12-B4

Number: SN74LS390-AX-LJ-A089EN

Reel packing specifications:

Part number	Packaging form	Marking code	Reel quantity	Boxed reel quantity	Notes
SN74LS390DR (LX)	SOP16	LS390	2500 PCS/reel	5000 PCS/box	Dimensions of plastic enclosure: 10.0mm×3.9mm Pin spacing:1.27mm
SN74LS390PW (LX)	TSSOP16	LS390	5000 PCS/reel	10000 PCS/box	Dimensions of plastic enclosure: 5.0mm×4.4mm Pin spacing:0.65mm

Note: If the physical information is inconsistent with the ordering information, please refer to the actual product.



2、Block Diagram And Pin Description

2.1、Block Diagram

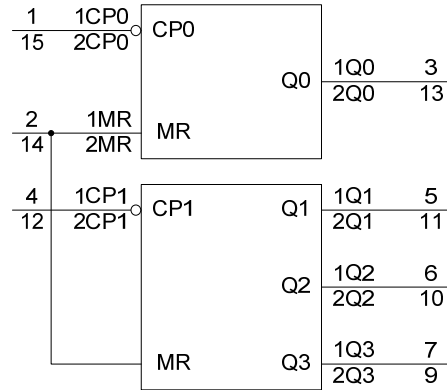


Figure 1. Logic symbol

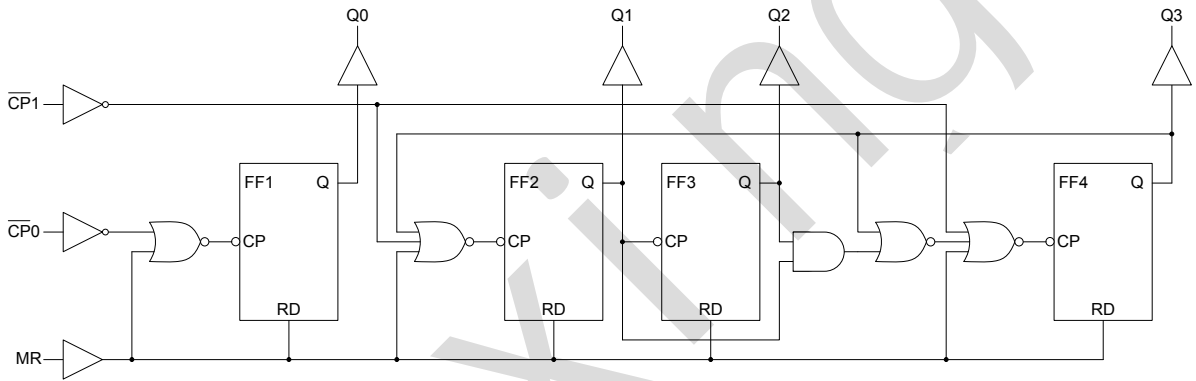
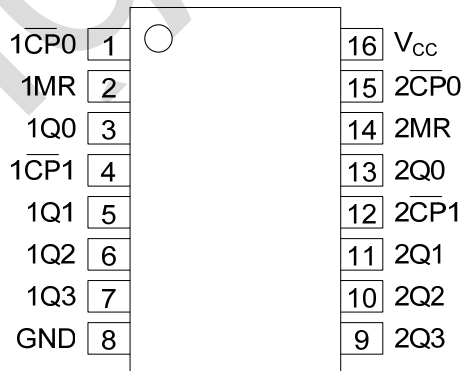


Figure 2. Logic diagram (one counter)

2.2、Pin Configurations





2.3、Pin Description

Pin No.	Pin Name	Description
1	$\overline{1CP0}$	clock input divide-by-2 section (HIGH-to-LOW; edge-triggered)
2	1MR	asynchronous master reset input (active HIGH)
3	1Q0	flip-flop outputs
4	$\overline{1CP1}$	clock input divide-by-5 section (HIGH-to-LOW; edge-triggered)
5	1Q1	flip-flop outputs
6	1Q2	flip-flop outputs
7	1Q3	flip-flop outputs
8	GND	ground (0V)
9	2Q3	flip-flop outputs
10	2Q2	flip-flop outputs
11	2Q1	flip-flop outputs
12	$\overline{2CP1}$	clock input divide-by-5 section (HIGH-to-LOW; edge-triggered)
13	2Q0	flip-flop outputs
14	2MR	asynchronous master reset input (active HIGH)
15	$\overline{2CP0}$	clock input divide-by-2 section (HIGH-to-LOW; edge-triggered)
16	V _{CC}	supply voltage

2.4、Function Table

2.4.1、BCD Count Sequence

Count	Output			
	nQ0	nQ1	nQ2	nQ3
0	L	L	L	L
1	H	L	L	L
2	L	H	L	L
3	H	H	L	L
4	L	L	H	L
5	H	L	H	L
6	L	H	H	L
7	H	H	H	L
8	L	L	L	H
9	H	L	L	H

Note: Output nQ0 connected to $\overline{nCP1}$; counter input on $\overline{nCP0}$.

H=HIGH voltage level;

L=LOW voltage level;



2.4.2、Bi-quinary Count Sequence

Count	Output			
	nQ0	nQ1	nQ2	nQ3
0	L	L	L	L
1	L	H	L	L
2	L	L	H	L
3	L	H	H	L
4	L	L	L	H
5	H	H	L	L
6	H	L	L	L
7	H	H	H	L
8	H	L	H	L
9	H	H	L	H

Note: Output nQ3 connected to nCP0 ; counter input on nCP1 .

H=HIGH voltage level;

L=LOW voltage level;

3、Electrical Parameter

3.1、Absolute Maximum Ratings

($T_{amb}=25^{\circ}\text{C}$, voltages are referenced to GND (ground=0V), unless otherwise specified)

Characteristic	Symbol	Conditions	Min.	Max.	Unit
supply voltage	V_{CC}	-	-0.5	+7.0	V
input clamping current	I_{IK}	$V_I < -0.5\text{V}$ or $V_I > V_{CC} + 0.5\text{V}$	-	± 20	mA
output clamping current	I_{OK}	$V_I < -0.5\text{V}$ or $V_O > V_{CC} + 0.5\text{V}$	-	± 20	mA
output current	I_O	$0.5\text{V} < V_O < V_{CC} + 0.5\text{V}$	-	± 25	mA
supply current	I_{CC}	-	-	+50	mA
ground current	I_{GND}	-	-50	-	mA
storage temperature	T_{stg}	-	-65	+150	$^{\circ}\text{C}$
soldering temperature	T_L	10s	DIP	245	$^{\circ}\text{C}$
			SOP/TSSOP	260	$^{\circ}\text{C}$



3.2、Recommended Operating Conditions

Parameter	Symbol	Conditions	Min.	Typ.	Max.	Unit
supply voltage	V_{CC}	-	2.0	5.0	6.0	V
input voltage	V_I	-	0	-	V_{CC}	V
output voltage	V_O	-	0	-	V_{CC}	V
ambient temperature	T_{amb}	-	-40	-	+125	°C

3.3、Electrical Characteristics

3.3.1、DC Characteristics 1

($T_{amb}=25^{\circ}\text{C}$, voltages are referenced to GND (ground=0V), unless otherwise specified)

Parameter	Symbol	Conditions	Min.	Typ.	Max.	Unit	
HIGH-level input voltage	V_{IH}	$V_{CC}=2.0\text{V}$	1.5	1.2	-	V	
		$V_{CC}=4.5\text{V}$	3.15	2.4	-	V	
		$V_{CC}=6.0\text{V}$	4.2	3.2	-	V	
LOW-level input voltage	V_{IL}	$V_{CC}=2.0\text{V}$	-	0.8	0.5	V	
		$V_{CC}=4.5\text{V}$	-	2.1	1.35	V	
		$V_{CC}=6.0\text{V}$	-	2.8	1.8	V	
HIGH-level output voltage	V_{OH}	$V_I=V_{IH}$ or V_{IL}	$I_O=-20\mu\text{A}; V_{CC}=2.0\text{V}$	1.9	2.0	-	V
			$I_O=-20\mu\text{A}; V_{CC}=4.5\text{V}$	4.4	4.5	-	V
			$I_O=-20\mu\text{A}; V_{CC}=6.0\text{V}$	5.9	6.0	-	V
			$I_O=-4.0\text{mA}; V_{CC}=4.5\text{V}$	3.98	4.32	-	V
			$I_O=-5.2\text{mA}; V_{CC}=6.0\text{V}$	5.48	5.81	-	V
LOW-level output voltage	V_{OL}	$V_I=V_{IH}$ or V_{IL}	$I_O=20\mu\text{A}; V_{CC}=2.0\text{V}$	-	0	0.1	V
			$I_O=20\mu\text{A}; V_{CC}=4.5\text{V}$	-	0	0.1	V
			$I_O=20\mu\text{A}; V_{CC}=6.0\text{V}$	-	0	0.1	V
			$I_O=4.0\text{mA}; V_{CC}=4.5\text{V}$	-	0.15	0.26	V
			$I_O=5.2\text{mA}; V_{CC}=6.0\text{V}$	-	0.16	0.26	V
input leakage current	I_I	$V_I=V_{CC}$ or GND; $V_{CC}=6.0\text{V}$	-	-	± 1	μA	
supply current	I_{CC}	$V_I=V_{CC}$ or GND; $I_O=0\text{A}; V_{CC}=6.0\text{V}$	-	-	8	μA	



3.3.2、DC Characteristics 2

($T_{amb}=-40^{\circ}\text{C}$ to $+85^{\circ}\text{C}$, voltages are referenced to GND (ground=0V), unless otherwise specified)

Parameter	Symbol	Conditions	Min.	Typ.	Max.	Unit	
HIGH-level input voltage	V_{IH}	$V_{CC}=2.0\text{V}$	1.5	-	-	V	
		$V_{CC}=4.5\text{V}$	3.15	-	-	V	
		$V_{CC}=6.0\text{V}$	4.2	-	-	V	
LOW-level input voltage	V_{IL}	$V_{CC}=2.0\text{V}$	-	-	0.5	V	
		$V_{CC}=4.5\text{V}$	-	-	1.35	V	
		$V_{CC}=6.0\text{V}$	-	-	1.8	V	
HIGH-level output voltage	V_{OH}	$V_I=V_{IH}$ or V_{IL}	$I_O=-20\mu\text{A}; V_{CC}=2.0\text{V}$	1.9	-	-	V
			$I_O=-20\mu\text{A}; V_{CC}=4.5\text{V}$	4.4	-	-	V
			$I_O=-20\mu\text{A}; V_{CC}=6.0\text{V}$	5.9	-	-	V
			$I_O=-4.0\text{mA}; V_{CC}=4.5\text{V}$	3.84	-	-	V
			$I_O=-5.2\text{mA}; V_{CC}=6.0\text{V}$	5.34	-	-	V
LOW-level output voltage	V_{OL}	$V_I=V_{IH}$ or V_{IL}	$I_O=20\mu\text{A}; V_{CC}=2.0\text{V}$	-	-	0.1	V
			$I_O=20\mu\text{A}; V_{CC}=4.5\text{V}$	-	-	0.1	V
			$I_O=20\mu\text{A}; V_{CC}=6.0\text{V}$	-	-	0.1	V
			$I_O=4.0\text{mA}; V_{CC}=4.5\text{V}$	-	-	0.33	V
			$I_O=5.2\text{mA}; V_{CC}=6.0\text{V}$	-	-	0.33	V
input leakage current	I_I	$V_I=V_{CC}$ or GND; $V_{CC}=6.0\text{V}$	-	-	± 1.0	μA	
supply current	I_{CC}	$V_I=V_{CC}$ or GND; $I_O=0\text{A}; V_{CC}=6.0\text{V}$	-	-	80	μA	



3.3.3、DC Characteristics 3

($T_{amb}=-40^{\circ}\text{C}$ to $+125^{\circ}\text{C}$, voltages are referenced to GND (ground=0V), unless otherwise specified)

Parameter	Symbol	Conditions	Min.	Typ.	Max.	Unit	
HIGH-level input voltage	V_{IH}	$V_{CC}=2.0\text{V}$	1.5	-	-	V	
		$V_{CC}=4.5\text{V}$	3.15	-	-	V	
		$V_{CC}=6.0\text{V}$	4.2	-	-	V	
LOW-level input voltage	V_{IL}	$V_{CC}=2.0\text{V}$	-	-	0.5	V	
		$V_{CC}=4.5\text{V}$	-	-	1.35	V	
		$V_{CC}=6.0\text{V}$	-	-	1.8	V	
HIGH-level output voltage	V_{OH}	$V_I=V_{IH}$ or V_{IL}	$I_O=-20\mu\text{A}; V_{CC}=2.0\text{V}$	1.9	-	-	V
			$I_O=-20\mu\text{A}; V_{CC}=4.5\text{V}$	4.4	-	-	V
			$I_O=-20\mu\text{A}; V_{CC}=6.0\text{V}$	5.9	-	-	V
			$I_O=-4.0\text{mA}; V_{CC}=4.5\text{V}$	3.7	-	-	V
			$I_O=-5.2\text{mA}; V_{CC}=6.0\text{V}$	5.2	-	-	V
LOW-level output voltage	V_{OL}	$V_I=V_{IH}$ or V_{IL}	$I_O=20\mu\text{A}; V_{CC}=2.0\text{V}$	-	-	0.1	V
			$I_O=20\mu\text{A}; V_{CC}=4.5\text{V}$	-	-	0.1	V
			$I_O=20\mu\text{A}; V_{CC}=6.0\text{V}$	-	-	0.1	V
			$I_O=4.0\text{mA}; V_{CC}=4.5\text{V}$	-	-	0.4	V
			$I_O=5.2\text{mA}; V_{CC}=6.0\text{V}$	-	-	0.4	V
input leakage current	I_I	$V_I=V_{CC}$ or GND; $V_{CC}=6.0\text{V}$	-	-	± 1.0	μA	
supply current	I_{CC}	$V_I=V_{CC}$ or GND; $I_O=0\text{A}; V_{CC}=6.0\text{V}$	-	-	160	μA	



3.3.4、AC Characteristics 1

($T_{amb}=25^{\circ}\text{C}$, $\text{GND}=0\text{V}$, $C_L=50\text{pF}$, unless otherwise specified)

Parameter	Symbol	Conditions	Min.	Typ. ^[1]	Max.	Unit	
propagation delay	t_{PLH} , t_{PHL}	$\overline{\text{nCP0}}$ to nQ0 ; see Figure 4	$V_{CC}=2.0\text{V}$	-	47	145	ns
			$V_{CC}=4.5\text{V}$	-	17	29	ns
			$V_{CC}=5.0\text{V}$; $C_L=15\text{pF}$	-	14	-	ns
			$V_{CC}=6.0\text{V}$	-	14	25	ns
		$\overline{\text{nCP1}}$ to nQ1 ; see Figure 4	$V_{CC}=2.0\text{V}$	-	50	155	ns
			$V_{CC}=4.5\text{V}$	-	18	31	ns
			$V_{CC}=5.0\text{V}$; $C_L=15\text{pF}$	-	15	-	ns
			$V_{CC}=6.0\text{V}$	-	14	26	ns
		$\overline{\text{nCP1}}$ to nQ2 ; see Figure 4	$V_{CC}=2.0\text{V}$	-	74	210	ns
			$V_{CC}=4.5\text{V}$	-	27	42	ns
			$V_{CC}=5.0\text{V}$; $C_L=15\text{pF}$	-	23	-	ns
			$V_{CC}=6.0\text{V}$	-	22	36	ns
		$\overline{\text{nCP1}}$ to nQ3 ; see Figure 4	$V_{CC}=2.0\text{V}$	-	50	155	ns
			$V_{CC}=4.5\text{V}$	-	18	31	ns
			$V_{CC}=5.0\text{V}$; $C_L=15\text{pF}$	-	15	-	ns
			$V_{CC}=6.0\text{V}$	-	14	26	ns
HIGH to LOW Propagation delay	t_{PHL}	nMR to nQn ; see Figure 5	$V_{CC}=2.0\text{V}$	-	52	165	ns
			$V_{CC}=4.5\text{V}$	-	19	33	ns
			$V_{CC}=5.0\text{V}$; $C_L=15\text{pF}$	-	16	-	ns
			$V_{CC}=6.0\text{V}$	-	15	28	ns
transition time	t_{THL} , t_{TLH}	nQn ; see Figure 4	$V_{CC}=2.0\text{V}$	-	19	75	ns
			$V_{CC}=4.5\text{V}$	-	7	15	ns
			$V_{CC}=6.0\text{V}$	-	6	13	ns
pulse width	t_w	$\overline{\text{nCP0}}$, $\overline{\text{nCP1}}$; HIGH or LOW; see Figure 4	$V_{CC}=2.0\text{V}$	80	19	-	ns
			$V_{CC}=4.5\text{V}$	16	7	-	ns
			$V_{CC}=6.0\text{V}$	14	6	-	ns
		nMR HIGH ; see Figure 5	$V_{CC}=2.0\text{V}$	80	28	-	ns
			$V_{CC}=4.5\text{V}$	17	10	-	ns
			$V_{CC}=6.0\text{V}$	14	8	-	ns
recovery time	t_{rec}	nMR to $\overline{\text{nCPn}}$; see Figure 5	$V_{CC}=2.0\text{V}$	75	22	-	ns
			$V_{CC}=4.5\text{V}$	15	8	-	ns
			$V_{CC}=6.0\text{V}$	13	6	-	ns
maximum frequency	f_{max}	$\overline{\text{nCPn}}$; see Figure 4	$V_{CC}=2.0\text{V}$	6	20	-	MHz
			$V_{CC}=4.5\text{V}$	30	60	-	MHz
			$V_{CC}=5.0\text{V}$; $C_L=15\text{pF}$	-	66	-	MHz
			$V_{CC}=6.0\text{V}$	35	71	-	MHz

Note:

[1] All typical values are measured at $T_{amb}=25^{\circ}\text{C}$.



3.3.5、AC Characteristics 2

($T_{amb} = -40^{\circ}\text{C}$ to $+85^{\circ}\text{C}$, $GND=0\text{V}$, $C_L=50\text{pF}$, unless otherwise specified)

Parameter	Symbol	Conditions	Min.	Typ.	Max.	Unit		
propagation delay	t_{PLH}, t_{PHL}	$\overline{nCP0}$ to $nQ0$; see Figure 4	$V_{CC}=2.0\text{V}$	-	-	180	ns	
			$V_{CC}=4.5\text{V}$	-	-	36	ns	
			$V_{CC}=6.0\text{V}$	-	-	31	ns	
		$\overline{nCP1}$ to $nQ1$; see Figure 4	$V_{CC}=2.0\text{V}$	-	-	195	ns	
			$V_{CC}=4.5\text{V}$	-	-	39	ns	
			$V_{CC}=6.0\text{V}$	-	-	33	ns	
			$\overline{nCP1}$ to $nQ2$; see Figure 4	$V_{CC}=2.0\text{V}$	-	-	265	ns
				$V_{CC}=4.5\text{V}$	-	-	53	ns
				$V_{CC}=6.0\text{V}$	-	-	45	ns
		$\overline{nCP1}$ to $nQ3$; see Figure 4	$V_{CC}=2.0\text{V}$	-	-	195	ns	
			$V_{CC}=4.5\text{V}$	-	-	39	ns	
			$V_{CC}=6.0\text{V}$	-	-	33	ns	
HIGH to LOW Propagation delay	t_{PHL}	nMR to nQn ; see Figure 5	$V_{CC}=2.0\text{V}$	-	-	205	ns	
			$V_{CC}=4.5\text{V}$	-	-	41	ns	
			$V_{CC}=6.0\text{V}$	-	-	35	ns	
transition time	t_{THL}, t_{TLH}	nQn ; see Figure 4	$V_{CC}=2.0\text{V}$	-	-	95	ns	
			$V_{CC}=4.5\text{V}$	-	-	19	ns	
			$V_{CC}=6.0\text{V}$	-	-	16	ns	
pulse width	t_w	$\overline{nCP0}, \overline{nCP1}$; HIGH or LOW; see Figure 4	$V_{CC}=2.0\text{V}$	100	-	-	ns	
			$V_{CC}=4.5\text{V}$	20	-	-	ns	
			$V_{CC}=6.0\text{V}$	17	-	-	ns	
		nMR HIGH; see Figure 5	$V_{CC}=2.0\text{V}$	105	-	-	ns	
			$V_{CC}=4.5\text{V}$	21	-	-	ns	
			$V_{CC}=6.0\text{V}$	18	-	-	ns	
recovery time	t_{rec}	nMR to \overline{nCPn} ; see Figure 5	$V_{CC}=2.0\text{V}$	95	-	-	ns	
			$V_{CC}=4.5\text{V}$	19	-	-	ns	
			$V_{CC}=6.0\text{V}$	16	-	-	ns	
maximum frequency	f_{max}	\overline{nCPn} ; see Figure 4	$V_{CC}=2.0\text{V}$	4.8	-	-	MHz	
			$V_{CC}=4.5\text{V}$	24	-	-	MHz	
			$V_{CC}=6.0\text{V}$	28	-	-	MHz	



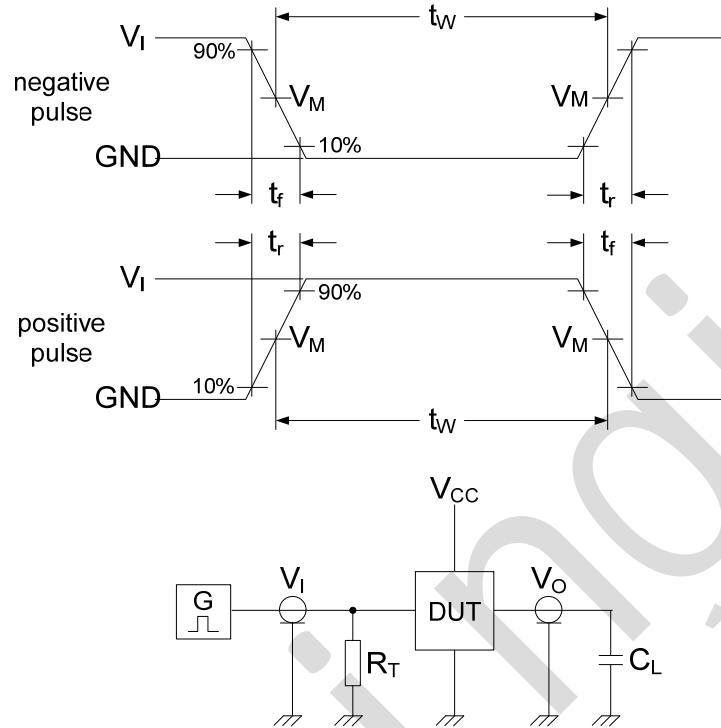
3.3.6、AC Characteristics 3

($T_{amb} = -40^{\circ}\text{C}$ to $+125^{\circ}\text{C}$, $GND = 0\text{V}$, $C_L = 50\text{pF}$, unless otherwise specified)

Parameter	Symbol	Conditions	Min.	Typ.	Max.	Unit	
propagation delay	t_{pd}	$\overline{nCP0}$ to $nQ0$; see Figure 4	$V_{CC} = 2.0\text{V}$	-	-	220	ns
			$V_{CC} = 4.5\text{V}$	-	-	44	ns
			$V_{CC} = 6.0\text{V}$	-	-	38	ns
		$\overline{nCP1}$ to $nQ1$; see Figure 4	$V_{CC} = 2.0\text{V}$	-	-	235	ns
			$V_{CC} = 4.5\text{V}$	-	-	47	ns
			$V_{CC} = 6.0\text{V}$	-	-	40	ns
		$\overline{nCP1}$ to $nQ2$; see Figure 4	$V_{CC} = 2.0\text{V}$	-	-	315	ns
			$V_{CC} = 4.5\text{V}$	-	-	63	ns
			$V_{CC} = 6.0\text{V}$	-	-	54	ns
		$\overline{nCP1}$ to $nQ3$; see Figure 4	$V_{CC} = 2.0\text{V}$	-	-	235	ns
			$V_{CC} = 4.5\text{V}$	-	-	47	ns
			$V_{CC} = 6.0\text{V}$	-	-	40	ns
HIGH to LOW Propagation delay	t_{PHL}	nMR to nQn ; see Figure 5	$V_{CC} = 2.0\text{V}$	-	-	250	ns
			$V_{CC} = 4.5\text{V}$	-	-	50	ns
			$V_{CC} = 6.0\text{V}$	-	-	43	ns
transition time	t_t	nQn ; see Figure 4	$V_{CC} = 2.0\text{V}$	-	-	110	ns
			$V_{CC} = 4.5\text{V}$	-	-	22	ns
			$V_{CC} = 6.0\text{V}$	-	-	19	ns
pulse width	t_w	$\overline{nCP0}$, $\overline{nCP1}$; HIGH or LOW; see Figure 4	$V_{CC} = 2.0\text{V}$	120	-	-	ns
			$V_{CC} = 4.5\text{V}$	24	-	-	ns
			$V_{CC} = 6.0\text{V}$	20	-	-	ns
		nMR HIGH; see Figure 5	$V_{CC} = 2.0\text{V}$	130	-	-	ns
			$V_{CC} = 4.5\text{V}$	26	-	-	ns
			$V_{CC} = 6.0\text{V}$	22	-	-	ns
recovery time	t_{rec}	nMR to \overline{nCPn} ; see Figure 5	$V_{CC} = 2.0\text{V}$	110	-	-	ns
			$V_{CC} = 4.5\text{V}$	22	-	-	ns
			$V_{CC} = 6.0\text{V}$	19	-	-	ns
maximum frequency	f_{max}	\overline{nCPn} ; see Figure 4	$V_{CC} = 2.0\text{V}$	4	-	-	MHz
			$V_{CC} = 4.5\text{V}$	20	-	-	MHz
			$V_{CC} = 6.0\text{V}$	24	-	-	MHz

4、Testing Circuit

4.1、AC Testing Circuit



Definitions test circuit:

R_T = termination resistance should be equal to output impedance Z_o of the pulse generator.

C_L = load capacitance including jig and probe capacitance.

Figure 3. Test circuit for measuring switching times

4.2、AC Testing Waveforms

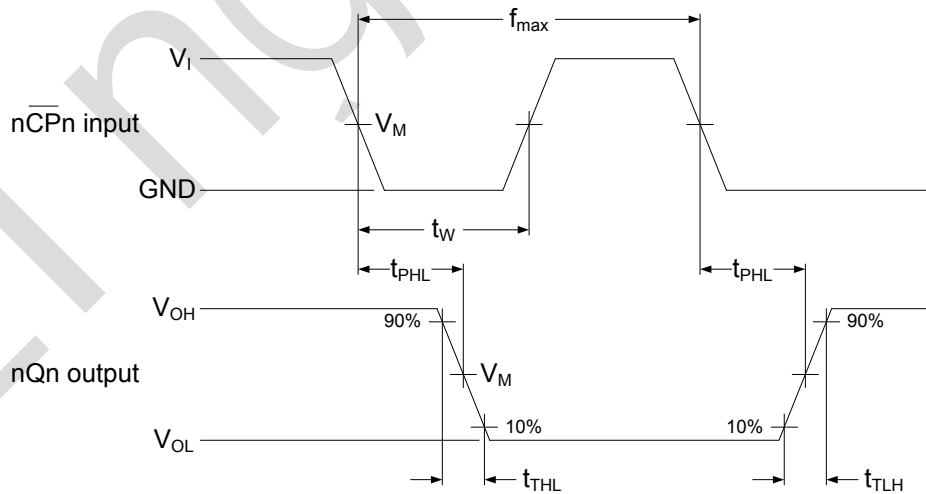


Figure 4. The clock input (\overline{nCPn}) to output (nQn) propagation delays, output transition time, clock pulse width and maximum clock frequency

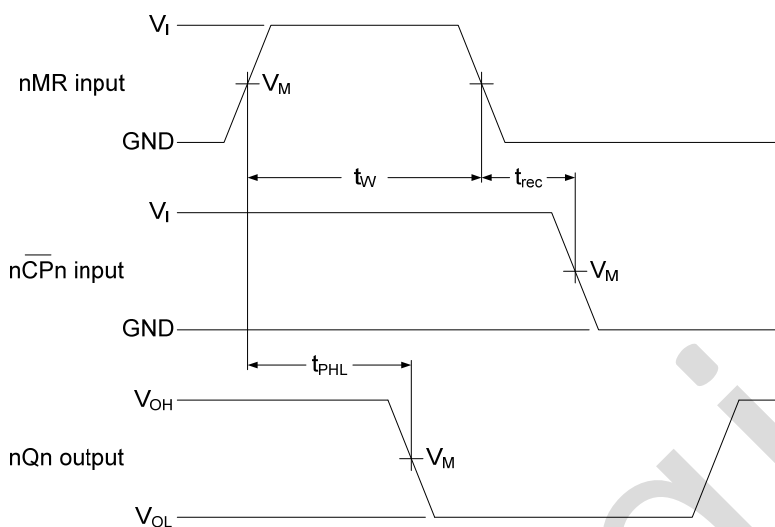


Figure 5. The master reset (nMR) pulse width, master reset to output (nQn) propagation delays and master reset to clock ($\overline{\text{nCPn}}$) recovery time

4.3. Measurement Points

Input	Output
V_M	V_M
$0.5V_{CC}$	$0.5V_{CC}$

4.4. Test Data

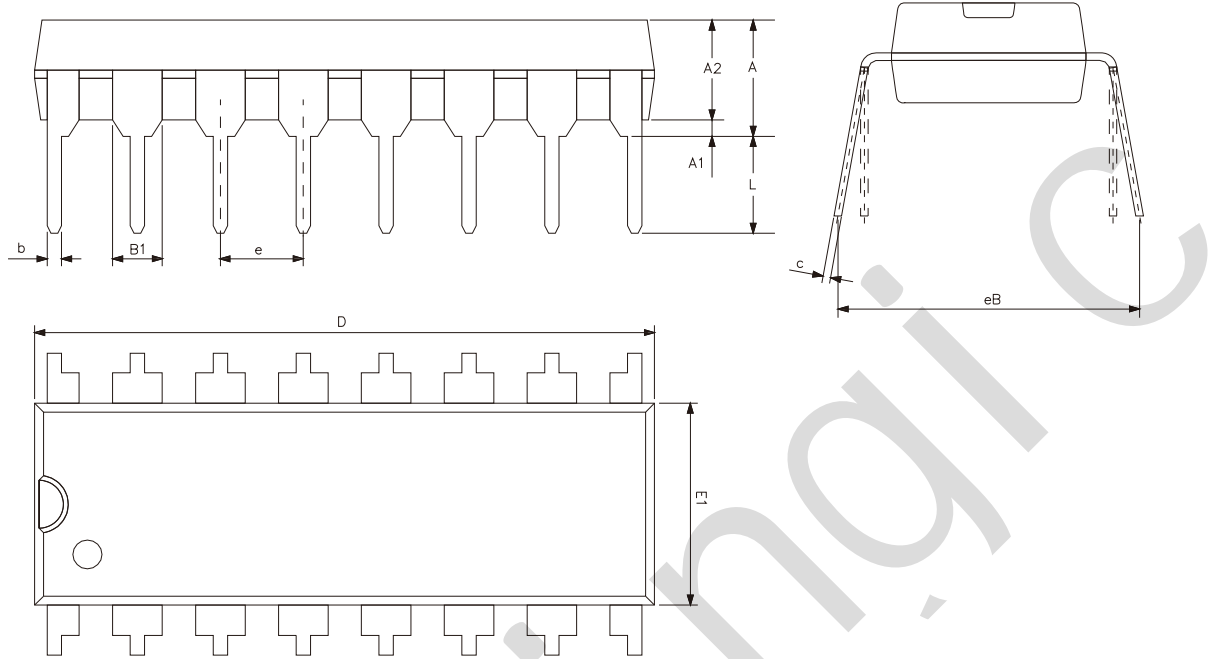
Input		Load	Test
V_I	t_r, t_f	C_L	
V_{CC}	6ns	15pF, 50pF	t_{PHL}, t_{PLH}



灵星芯微 专注经营

5、Package Information

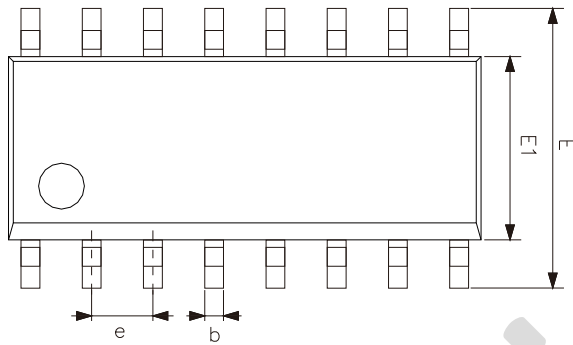
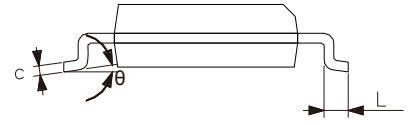
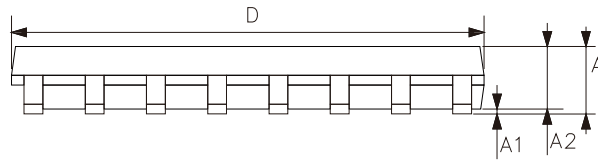
5.1、DIP16



Symbol	Dimensions (mm)	
	Min.	Max.
A2	3.20	3.60
A1	0.51	-
A	3.60	5.33
L	3.00	3.60
b	0.36	0.56
B1	1.52	
D	18.80	19.94
E1	6.20	6.60
e	2.54	
c	0.20	0.36
eB	7.62	9.30



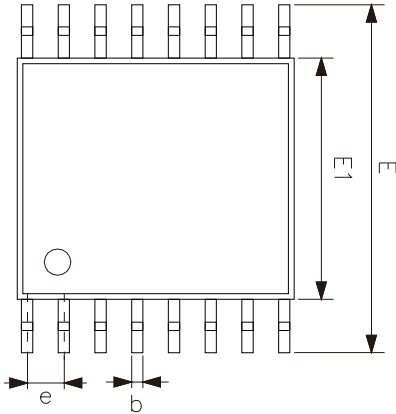
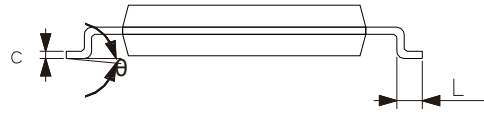
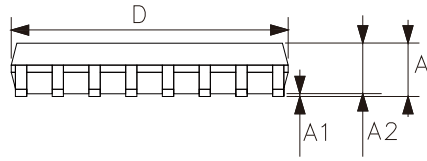
5.2、SOP16



Symbol	Dimensions (mm)	
	Min.	Max.
A	1.35	1.80
A1	0.10	0.25
A2	1.25	1.55
b	0.33	0.51
c	0.19	0.25
D	9.50	10.10
E	5.80	6.30
E1	3.70	4.10
e	1.27	
L	0.35	0.89
θ	0°	8°



5.3、TSSOP16



Symbol	Dimensions (mm)	
	Min.	Max.
A	-	1.20
A1	0.05	0.15
A2	0.80	1.05
b	0.19	0.30
c	0.09	0.20
D	4.90	5.10
E1	4.30	4.50
E	6.20	6.60
e	0.65	
L	0.45	0.75
θ	0°	8°



灵星芯微 勇芯经营

6、 Statements And Notes

6.1、 The name and content of Hazardous substances or Elements in the product

Part name	Hazardous substances or Elements									
	Lead and lead compounds	Mercury and mercury compounds	Cadmium and cadmium compounds	Hexavalent chromium compounds	Polybrominated biphenyls	Polybrominated biphenyl ethers	Dibutyl phthalate	Butylbenzyl phthalate	Di-2-ethylhexyl phthalate	Diisobutyl phthalate
Lead frame	○	○	○	○	○	○	○	○	○	○
Plastic resin	○	○	○	○	○	○	○	○	○	○
Chip	○	○	○	○	○	○	○	○	○	○
The lead	○	○	○	○	○	○	○	○	○	○
Plastic sheet installed	○	○	○	○	○	○	○	○	○	○
explanation	○: Indicates that the content of hazardous substances or elements in the detection limit of the following the SJ/T11363-2006 standard. ×: Indicates that the content of hazardous substances or elements exceeding the SJ/T11363-2006 Standard limit requirements.									

6.2、 Notes

We recommend you to read this chapter carefully before using this product.

The information in this chapter is provided for reference only and Lingxing disclaims any express or implied warranties, including but not limited to applicability, special application or non-infringement of third party rights.

This product is not suitable for critical equipment such as life-saving, life-sustaining or safety equipment. It is also not suitable for applications that may result in personal injury, death, or serious property or environmental damage due to product malfunction or failure. Lingxing will not be liable for any damages incurred by the customers at their own risk for such applications.

The customer is responsible for conducting all necessary tests Lingxing's application to avoid failure in the application or the application of the customer's third party users. Lingxing does not accept any liability.

The Company reserves the right to change or improve the information published in this chapter at any time. The information in this chapter are subject to change without notice. We recommend the customer to consult our sales staff before purchasing.

Please obtain related materials form Lingxing's regular channels and we are not responsible for its content if it is provided by sources other than our company.

In case of any conflict between the Chinese and English version, the version is subject to the Chinese one.

X-ON Electronics

Largest Supplier of Electrical and Electronic Components

Click to view similar products for [Counter ICs](#) category:

Click to view products by [lingxingic](#) manufacturer:

Other Similar products are found below :

[CD4018BE](#) [CD4033BE](#) [CD4060BE](#) [CD4040BE](#) [NLV14040BDR2G](#) [RFDIP1607ALM9T21](#) [RFDIP1606L708D1T](#) [RFTIP2510T12A8Q1C](#)
[74HC161DT](#) [CD4028BM/TR](#) [CD4060DM/TR](#) [CD4022BE](#) [CD4060DMT/TR](#) [CD4060BMT/TR](#) [74HC192M/TR](#) [CD4020BMT/TR](#)
[74HC193M/TR](#) [CD4518BM/TR](#) [CD4060TA16.TB](#) [CD4060DE](#) [CD4017CN](#) [CD4017SA.TB](#) [CD4022BM/TR](#) [CD4022BMT/TR](#)
[CD4028BDRG](#) [CD4060BDRG](#) [CD4017DA.TB](#) [CD4520BDRG](#) [CD4520BM\(LX\)](#) [CD4518BM\(LX\)](#) [SN74HC393DR\(LX\)](#) [CD4060BM\(LX\)](#)
[CD4060BE\(LX\)](#) [SN74HC192N\(XBLW\)](#) [CD4040BM\(LX\)](#) [CD4026BM\(LX\)](#) [CD40103BDR\(LX\)](#) [SN74LS192DR\(LX\)](#) [SN74HC161DR \(LX\)](#)
[CD40193BE\(LX\)](#) [CD4060BDTR\(XBLW\)](#) [SN74LS393DR](#) [SN74LS193N\(LX\)](#) [SN74LS193DR\(LX\)](#) [CD4017BM\(LX\)](#) [CD40193BM\(LX\)](#)
[SN74LS192N\(LX\)](#) [SN74LS160N\(LX\)](#) [SN74LS161N\(LX\)](#) [CD4024BM\(LX\)](#)