

ADP-NF-NF-B-W

N Jack to N Jack Sealed Bulkhead Adapter

The ADP-NF-NF-B-W is an N jack (female socket) to N jack sealed bulkhead adapter, and includes a silicone gasket, washer, and hex nut for sealed installation making it ideal for harsh-environment applications. Operating from 0 GHz to 11 GHz, the ADP-NF-NF-B-W provides superior performance in an N bulkhead adapter by utilizing white bronze plating to reduce distortion caused by passive intermodulation (PIM). Additionally, all Linx adapters meet RoHS lead free standards and are tested to meet requirements for corrosion resistance, vibration, mechanical and thermal shock.



Features

- 0 to 11 GHz operation
- White Bronze plating
 - Low Passive Intermodulation (PIM)
 - Superior corrosion resistance
- N jack (female socket) connection
 - Gold plated brass center contact
- Brass hex nut, washer and silicone gasket provided

Electrical Specifications

Impedance	50 Ω	
Frequency Range	0 to 11 GHz	
Voltage Rating	1500 V RMS	
Contact Resistance	Center: ≤ 1.5 mΩ Outer: ≤ 0.5 mΩ	
Selected Frequencies	2.4 GHz	6 GHz
Insertion Loss (dB max)	-0.20	-0.19
VSWR (max)	1.2	1.2

Ordering Information

Part Number	Description
ADP-NF-NF-B-W	N jack to N jack bulkhead adapter with silicone gasket, 5/8 inch washer and 5/8"-24 hex nut

Available from Linx Technologies and select distributors and representatives.

Product Dimensions

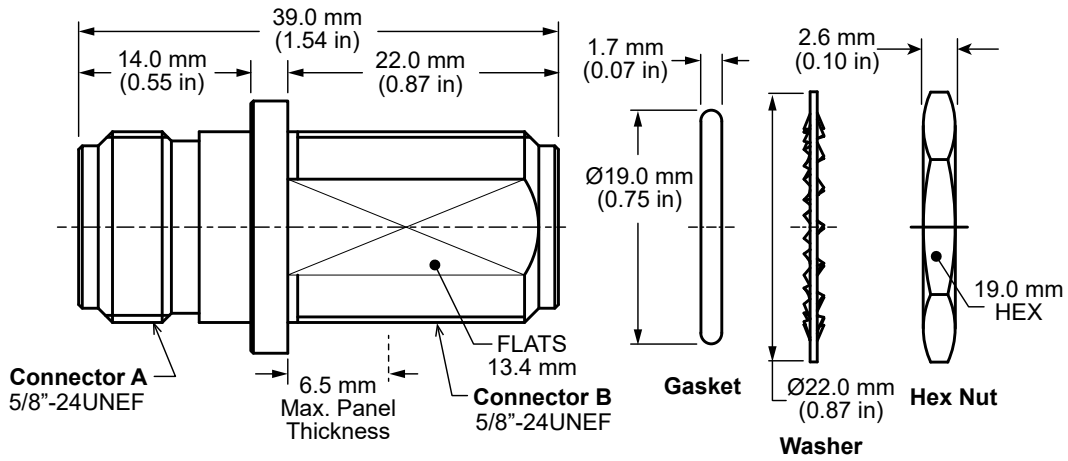


Figure 1. Product Dimensions for the ADP-NF-NF-B-W Adapter

Adapter Components

ADP-NF-NF-B-W	Connector A N jack (female socket)		Connector B N jack (female socket) Sealed Bulkhead	
Connector Part	Material	Finish	Material	Finish
Body	Brass	White Bronze	Brass	White Bronze
Center Contact (socket)	Brass	Gold	Brass	Gold
Insulator	PTFE	-	PTFE	-
Gasket	-	-	Silicone	-
Washer	-	-	Brass	White Bronze
Hex Nut	-	-	Brass	White Bronze

Recommended Mounting

The recommended enclosure mounting dimensions for the ADP-NF-NF-B-W are shown in Figure 2.

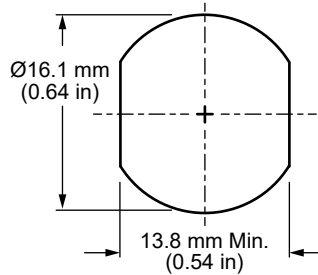


Figure 2. Recommended Enclosure Mounting Dimensions

Adapter Performance

Table 1 shows insertion loss and VSWR values for the ADP-NF-NF-B-W adapter at commonly used frequencies.

Insertion loss is the loss of signal power (gain) resulting from the insertion of a device in a transmission line. VSWR describes how efficiently power is transmitted through the adapter. A lower VSWR value indicates better performance at a given frequency.

Table 1. Insertion Loss and VSWR for the ADP-NF-NF-B-W Adapter

Band	Low-Band Cellular/ ISM/LPWA	Midband Cellular/ GNSS	WiFi/ISM	WiFi 6
Frequency Range	400 MHz to 960 MHz	1.1 GHz to 5 GHz	2.4 GHz	5 GHz to 7.125 GHz
Insertion Loss (dB max)	-0.11	-0.35	-0.20	-0.35
VSWR (max)	1.0	1.5	1.2	1.5

Mechanical Specifications

ADP-NF-NF-B-W	
Mounting Type	Sealed Bulkhead Mount
Fastening Type	5/8"-24UNEF Threaded Coupling
Interface in Accordance with	MIL-STD-348A
Recommended Torque	0.85 N m (7.5 ft lbs)
Coupling Nut Retention	100 lbs. min.
Connector Durability	500 cycles min.
Weight	45.8 g (1.62 oz)

Environmental Specifications

MIL-STD/Method/Test Condition	
Corrosion (Salt spray)	MIL-STD-202 Method 101 test condition B
Thermal Shock	MIL-STD-202 Method 107 test condition B
Vibration	MIL-STD-202 Method 204 test condition B
Mechanical Shock	MIL-STD-202 Method 213 test condition I
Temperature Range	-65 °C to +165 °C
Environmental Compliance	RoHS

Packaging Information

The ADP-NF-NF-B-W adapter is individually packaged in a clear plastic bag. Adapters are packaged in cartons of 250 pcs. Distribution channels may offer alternative packaging options.

Website: <http://linxtechnologies.com>
Linx Offices: 159 Ort Lane, Merlin, OR, US 97532
Phone: +1 (541) 471-6256
E-MAIL: info@linxtechnologies.com

Linx Technologies reserves the right to make changes to the product(s) or information contained herein without notice. No liability is assumed as a result of their use or application. No rights under any patent accompany the sale of any such product(s) or information.

Wireless Made Simple is a registered trademark of Linx Acquisitions LLC. Other product and brand names may be trademarks or registered trademarks of their respective owners.

Copyright © 2020 Linx Technologies

All Rights Reserved

Doc# DS20289-118CON



X-ON Electronics

Largest Supplier of Electrical and Electronic Components

Click to view similar products for [RF Adapters - In Series](#) category:

Click to view products by [Linx Technologies](#) manufacturer:

Other Similar products are found below :

[5916-1103-603](#) [5918-1103-000](#) [5919-1503-000](#) [651A505](#) [82-5552](#) [9030-9523-502](#) [A0407000](#) [R114703000W](#) [R125704000](#) [R125771001](#)
[R141710000W](#) [R141723161](#) [R141730000](#) [R143730700](#) [R143770000](#) [R161703000W](#) [R161730000](#) [R161753000W](#) [R161791530W](#)
[R201705000](#) [R222705200](#) [R222M40010W](#) [R316754000](#) [R405006000](#) [R443162000](#) [AD78TL](#) [HRM-513S](#) [1996352-2](#) [2157155-1](#) [252169-75](#)
[AD158](#) [2101130-1](#) [252186](#) [R114704000W](#) [R114720000W](#) [R125705001](#) [R125705701](#) [R125771000](#) [R125771001W](#) [R125791501W](#)
[R127704001](#) [R127.870.001](#) [R127872001](#) [R141717000](#) [R142710000](#) [R142723000](#) [R143703000](#) [R143704000](#) [R143705700](#) [R143710000](#)