

ADP-SMAF-NF-B-W

N Jack to SMA Jack Sealed Bulkhead Adapter

The ADP-SMAF-NF-B-W is an N jack (female socket) to SMA jack sealed bulkhead adapter, and includes a silicone gasket, washer, and hex nut for sealed installation making it ideal for harsh-environment applications. Operating from 0 GHz to 11 GHz, the ADP-SMAF-NF-B-W provides superior performance in an N bulkhead adapter by utilizing white bronze plating to reduce distortion caused by passive intermodulation (PIM). Additionally, all Linx adapters meet RoHS lead free standards and are tested to meet requirements for corrosion resistance, vibration, mechanical and thermal shock.



Features

- 0 to 11 GHz operation
- White Bronze plating
 - Low Passive Intermodulation (PIM)
 - Superior corrosion resistance
- N jack (female socket) connection
 - Gold plated beryllium copper center contact
- Brass hex nut, washer and silicone gasket provided
- SMA jack (female socket) connection

Electrical Specifications

Impedance	50 Ω	
Frequency Range	0 to 11 GHz	
Voltage Rating	1000 V RMS	
Contact Resistance	Center: ≤ 2.0 mΩ Outer: ≤ 2.0 mΩ	
Selected Frequencies	2.4 GHz	6 GHz
Insertion Loss (dB max)	-0.09	-0.07
VSWR (max)	1.1	1.1

Ordering Information

Part Number	Description
ADP-SMAF-NF-B-W	N jack to SMA jack adapter with silicone gasket, 5/8 inch washer and 5/8"-24 hex nut

Available from Linx Technologies and select distributors and representatives.

Product Dimensions

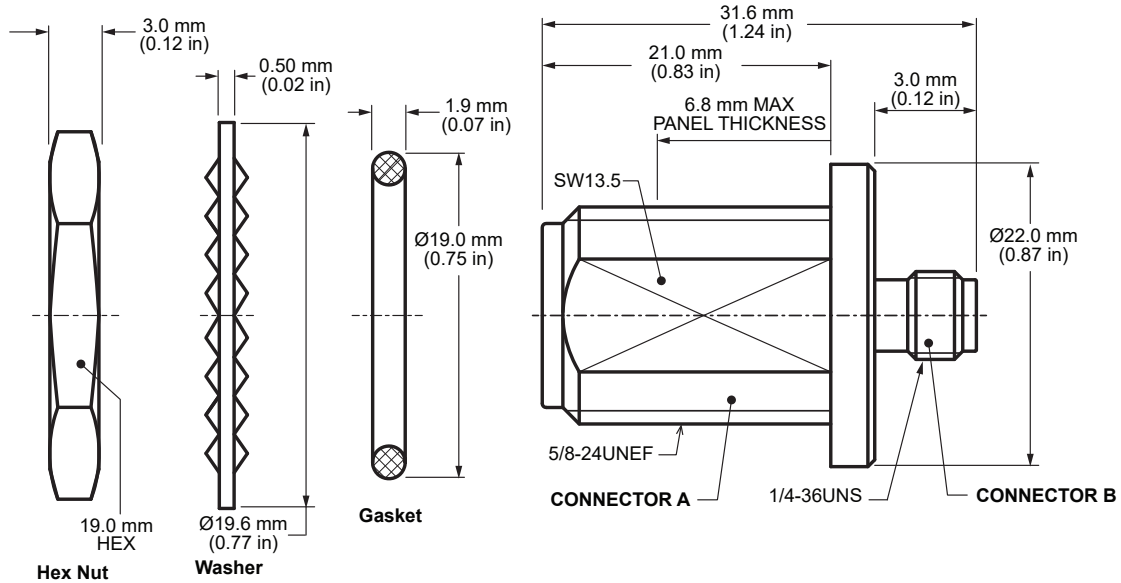


Figure 1. Product Dimensions for the ADP-SMAF-NF-B-W Adapter

Adapter Components

ADP-SMAF-NF-B-W	Connector A N jack (female socket)		Connector B SMA jack (female socket)	
Part	Material	Finish	Material	Finish
Body	Brass	White Bronze	Brass	White Bronze
Center Contact (socket)	Beryllium Copper	Gold	Beryllium Copper	Gold
Insulator	PTFE	-	PTFE	-
Gasket	Silicone	-	-	-
Washer	Brass	White Bronze	-	-
Hex Nut	Brass	White Bronze	-	-

Recommended Mounting Diagram

The recommended enclosure mounting dimensions for the ADP-SMAF-NF-B-W are shown in Figure 2.

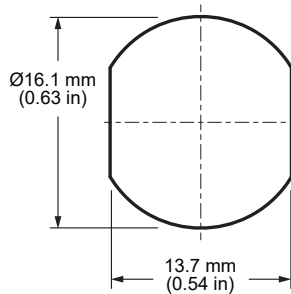


Figure 2. Recommended Enclosure Mounting Dimensions

Adapter Performance

Table 1 shows insertion loss and VSWR values for the ADP-SMAF-NF-B-W adapter at commonly used frequencies.

Insertion loss is the loss of signal power (gain) resulting from the insertion of a device in a transmission line. VSWR describes how efficiently power is transmitted through the adapter. A lower VSWR value indicates better performance at a given frequency.

Table 1. Insertion Loss and VSWR for the ADP-SMAF-NF-B-W Adapter

Band	Low-Band Cellular/ ISM/LPWA	Midband Cellular/ GNSS	WiFi/ISM	WiFi 6
Frequency Range	400 MHz to 960 MHz	1.1 GHz to 5 GHz	2.4 GHz	5 GHz to 7.125 GHz
Insertion Loss (dB max)	-0.06	-0.12	-0.09	-0.14
VSWR (max)	1.0	1.2	1.1	1.3

Mechanical Specifications

ADP-SMAF-NF-B-W	Connector A N jack (female socket)	Connector B SMA jack (female socket)
Mounting Type	Sealed Bulkhead Mount	
Fastening Type	5/8"-24UNEF Threaded Coupling	1/4"-36UNS Threaded Coupling
Interface in Accordance with	MIL-STD-348A	MIL-STD-348A
Recommended Torque	0.85 N·m (7.5 ft·lbs)	0.57 N·m (5.0 in·lbs)
Coupling Nut Retention	100 lbs min.	60 lbs min.
Durability	500 cycles min.	500 cycles min.
Weight	38.4 g (1.35 oz)	

Environmental Specifications

MIL-STD/Method/Test Condition	
Corrosion (Salt spray)	MIL-STD-202 Method 101 test condition B
Thermal Shock	MIL-STD-202 Method 107 test condition B
Vibration	MIL-STD-202 Method 204 test condition B
Mechanical Shock	MIL-STD-202 Method 213 test condition I
Temperature Range	-65 °C to +165 °C
Environmental Compliance	RoHS

Packaging Information

The ADP-SMAF-NF-B-W adapter is individually packaged in a clear plastic bag. Adapters are packaged in cartons of 250 pcs. Distribution channels may offer alternative packaging options.

Website: <http://linxtechnologies.com>
Linx Offices: 159 Ort Lane, Merlin, OR, US 97532
Phone: +1 (541) 471-6256
E-MAIL: info@linxtechnologies.com

Linx Technologies reserves the right to make changes to the product(s) or information contained herein without notice. No liability is assumed as a result of their use or application. No rights under any patent accompany the sale of any such product(s) or information.

Wireless Made Simple is a registered trademark of Linx Acquisitions LLC. Other product and brand names may be trademarks or registered trademarks of their respective owners.

Copyright © 2020 Linx Technologies

All Rights Reserved

Doc# DS20289-119CON



X-ON Electronics

Largest Supplier of Electrical and Electronic Components

Click to view similar products for [RF Adapters - Between Series](#) category:

Click to view products by [Linx Technologies](#) manufacturer:

Other Similar products are found below :

[5945-9503-000](#) [MCX/F-SMA/M](#) [R192417010](#) [ADBJ20-E1-BJ379](#) [ADM2](#) [ADPL75-A1-PL75](#) [242191](#) [9317505](#) [29-3835P](#) [AD130](#) [ADBJ20-E1-PL74](#) [ADBJ77-A1PL3155](#) [ADBJ77-E1-UPL20](#) [ADRMF370](#) [242190](#) [242215](#) [242228](#) [R125680000W](#) [R192430000](#) [UAD95](#) [1057367-1](#) [8311505](#) [R114704000](#) [R451034500](#) [R451030500](#) [R451543000](#) [HDVDPN](#) [ADBJ20-K1-PL20](#) [R451570000](#) [R192419000](#) [R451034000](#) [J9](#) [J3WE-5](#) [R451032500](#) [242201RP](#) [17K132-K00S5](#) [03K719-S22S3](#) [AD-RSMAF-RTNC](#) [53K156-K00N5](#) [53K160-KIMN1](#) [02K119-K00E3](#) [29S132-K01N5](#) [53S156-K00N5](#) [02S119-S00E3](#) [28K132-K00N5](#) [02S109-K00S3](#) [27-8200TP](#) [242235](#) [ADBJ20-E1-BJ89](#) [ADP-SMAF-MMCXM](#)