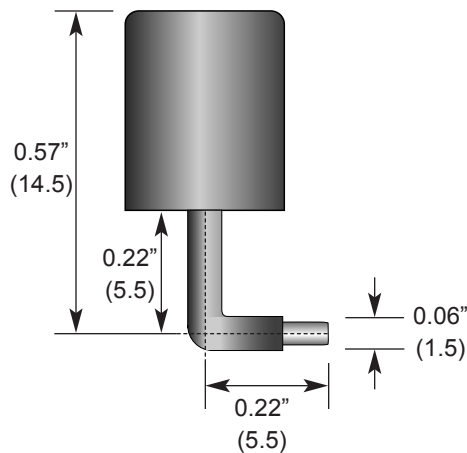
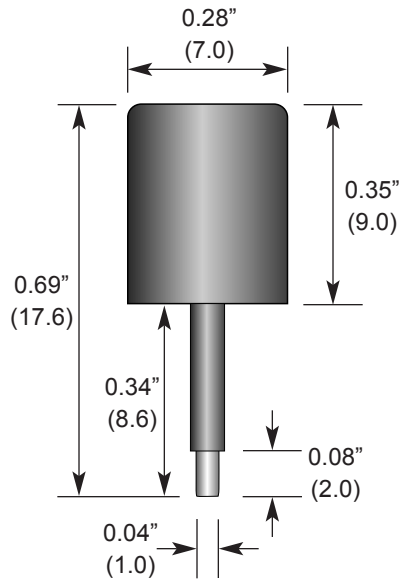
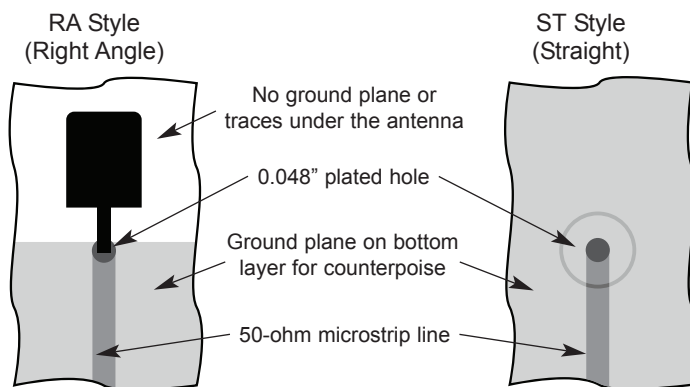


Product Dimensions



Recommended Mounting



Description



The JJB Series packs near the performance of a conventional monopole into an incredibly compact quarter-inch (7mm) diameter package. These antennas are ideal for any OEM application requiring a compact, cosmetically attractive, low-cost antenna solution. The antenna features a through-hole feedline that can attach directly to a user's PCB. Internal or external mounting is possible. For assemblies requiring a JJB antenna capable of withstanding reflow temperatures up to 260° C, see the JJB-HT Series.

Features

- Very low cost
 - Ultra-compact package
 - Easily concealed internally
 - Good for internal or external mounting
 - Excellent performance
 - Omnidirectional pattern
 - Use with plastic* enclosures
- * Requires proximity ground plane

Electrical Specifications

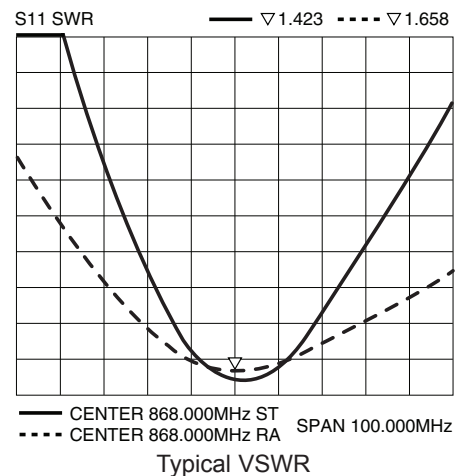
- Center Freq. 868MHz
- Recmd. Oper. Freq. 855-880MHz
- Wavelength 1/4-wave
- VSWR ≤ 2.0 typ. at center
- Impedance 50 ohms
- Connection Direct solder

RA electrical specifications and plots measured on a 1.50" x 3.30" ground plane
ST electrical specifications and plots measured on a 3.50" x 3.50" ground plane

Ordering Information

- ANT-868-JJB-RA (Right Angle)
- ANT-868-JJB-ST (Straight)

VSWR Graph



X-ON Electronics

Largest Supplier of Electrical and Electronic Components

Click to view similar products for [Antennas](#) category:

Click to view products by [Linx Technologies](#) manufacturer:

Other Similar products are found below :

[GAN30084EU](#) [930-033-R](#) [GW17.07.0250E](#) [1513563-1](#) [EXE902SM](#) [APAMPG-117](#) [MAF94383](#) [W3908B0100](#) [W6102B0100](#) [YE572113-30RSMM](#) [108-00014-50](#) [66089-2406](#) [SPDA17RP918](#) [A09-F8NF-M](#) [A09-F5NF-M](#) [RGFRA1903041A1T](#) [W3593B0100](#) [W3921B0100](#) [SIMNA-868](#) [SIMNA-915](#) [SIMNA-433](#) [W1044](#) [W1049B090](#) [A75-001](#) [WTL2449CQ1-FRSMM](#) [CPL9C](#) [EXB148BN](#) [0600-00060](#) [TRA9020S3PBN-001](#) [GD5W-28P-NF](#) [MA9-7N](#) [GD53-25](#) [GD5W-21P-NF](#) [EXB144SM](#) [C37](#) [MAF94051](#) [GD35-17P-NF](#) [P1744](#) [MA9-5N](#) [EXD420PL](#) [B1322NR](#) [QWFTB120](#) [MAF94271](#) [MAF94300](#) [GPSMB301](#) [FG4403](#) [AO-AGSM-OM54](#) [5200232](#) [MIKROE-2349](#) [WCM.01.0111](#)