

ANT-MAG-Bxx-xxx

Data Sheet

Product Description

These magnetic bases are available in 50, 66, or 85mm diameters, and contain powerful magnets suitable for semi-permanent installation on metal surfaces. The base is covered with a thin protective layer to preserve finished surfaces, such as those on automobiles, and is fully weatherized to withstand long-term outdoor exposure. The base is fed by RG-174 or RG-58 coax featuring a molded strain relief at the point of entry. The threaded mounting post accepts a wide range of ELE Series elements (not included) in a variety of styles and frequency ranges.

Features

- Powerful magnet for reliable attachment
- Rubber skin protects attachment surface
- Overmolded cable with strain relief
- Rugged weatherized metal construction
- Attractive and durable black finish
- SMA, RP-SMA, TNC or custom connector

Electrical Specifications

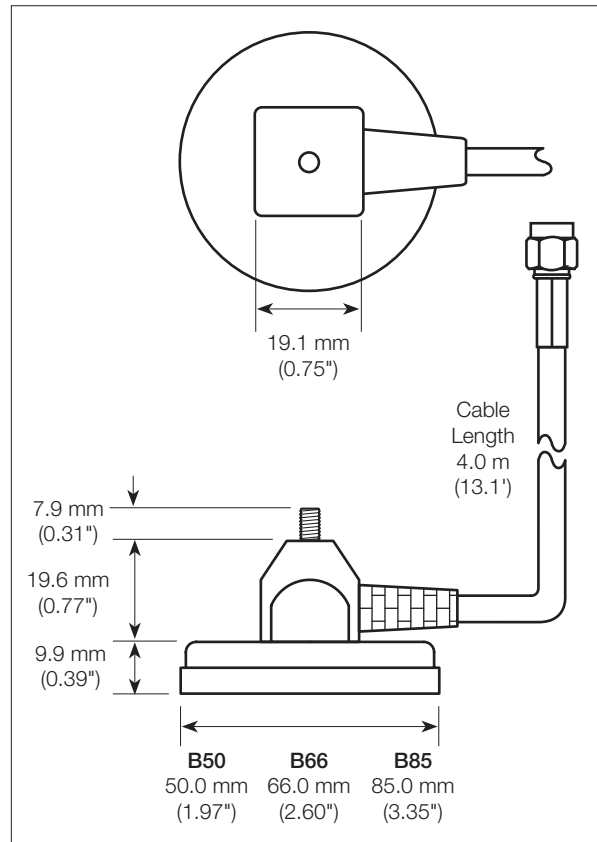
Cable: SMA: RG-174
RP-SMA: RG-174
TNC: RG-58

Impedance: 50-ohms

Oper. Temp. Range: -40°C to +80°C

Ordering Information

ANT-MAG-B50-SMA (with SMA connector)
ANT-MAG-B50-RPS (with RP-SMA connector)
ANT-MAG-B50-TNC (with TNC connector)
ANT-MAG-B66-SMA (with SMA connector)
ANT-MAG-B66-RPS (with RP-SMA connector)
ANT-MAG-B66-TNC (with TNC connector)
ANT-MAG-B85-SMA (with SMA connector)
ANT-MAG-B85-RPS (with RP-SMA connector)
ANT-MAG-B85-TNC (with TNC connector)



X-ON Electronics

Largest Supplier of Electrical and Electronic Components

Click to view similar products for [Antenna Accessories](#) category:

Click to view products by [Linx Technologies](#) manufacturer:

Other Similar products are found below :

[AN102800V1](#) [HKIT-MTA9101-001](#) [YM125HD](#) [CC.001](#) [NMOHPCN518](#) [MB830](#) [MB825](#) [LBT3800](#) [GRO](#) [172-00006](#) [V680-HS65-R](#) [12.5M](#)
[W9909](#) [HKIT-MTA9100-001](#) [GBR817](#) [MABT8UM9](#) [GR8XTI](#) [HKIT-LPx-001](#) [QWRCB](#) [G8MI](#) [FMW4](#) [SMK](#) [GBF120](#) [CCT](#) [FM1](#) [GPS-](#)
[17519](#) [76002093](#) [G8SMI](#) [MABT8M](#) [DELTA/MAGMOUNT/SMAF/SMAM/2M/19](#) [DELTA/MAGMOUNT/SMAFRP/SMAMRP/1M/19](#)
[DELTA/MAGMOUNT/SMAFRP/SMAMRP/2M/19](#) [W9908](#) [9091.99.0183](#) [LTE Antenna Kit](#) [SR4W030-150](#) [2740504](#) [SR4G031-100](#)
[2702198](#) [SR4W030-100](#) [9091.99.0235](#) [LoRa Antenna](#) [CTC110](#) [EP-FMWFKITUPC01](#) [AS-ACC-SURVEYPOLE-00](#) [WAN07RSP](#)
[WAN09RSP](#) [GM8B25](#) [G8XBI](#) [GM8PI25](#) [GM8U](#)