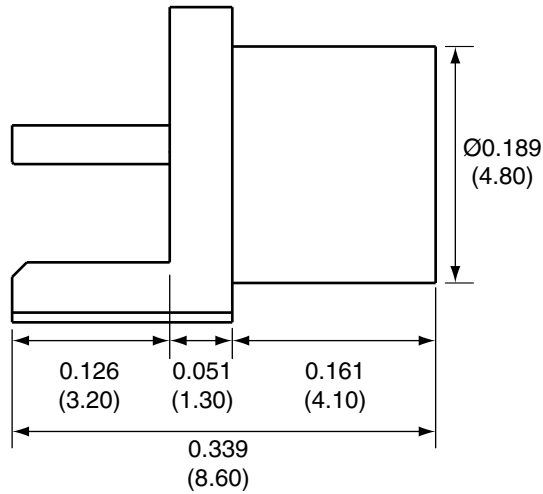


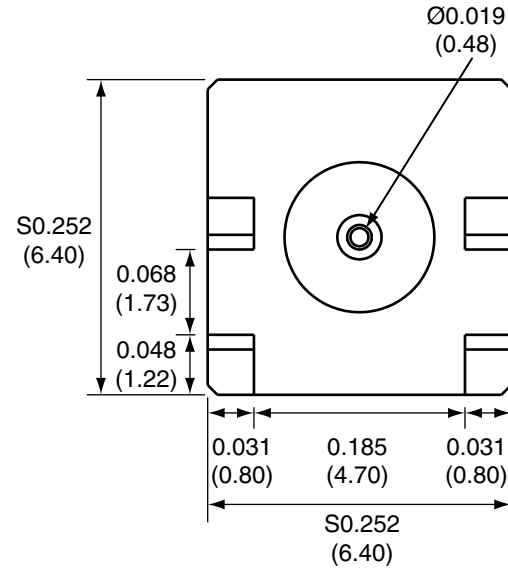
| Description | Material | Finish |
|-------------|----------|--------|
| Body        | Brass    | Gold   |
| Socket      | BE CU    | Gold   |
| Insulation  | PTFE     | N/A    |

| REVISIONS |   |           |      |
|-----------|---|-----------|------|
| REV       | DESCRIPTION   | DATE      | APPV |
| B         | Updated footprint dimensions; Added new title block | 11-JUL-12 | SAH  |

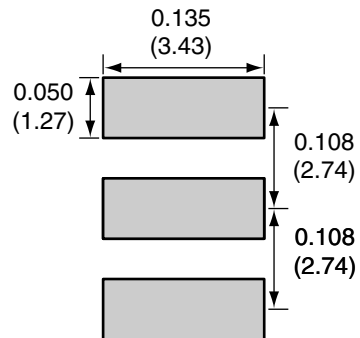
SIDE VIEW



BACK VIEW




RECOMMENDED FOOTPRINT



NOTES: (UNLESS OTHERWISE SPECIFIED)

1. ALL DIMENSIONS ARE IN INCHES [mm].
2. DIMENSIONS APPLY AFTER FINISHING.
3. MANUFACTURE TO BE COMPLIANT WITH EU RoHS DIRECTIVE.
4. SAFETY BREAK ALL SHARP CORNERS AND EDGES .02 MAXIMUM.

WARNING: THIS DRAWING CONTAINS PROPRIETARY INFORMATION THAT IS THE SOLE PROPERTY OF LINX TECHNOLOGIES, AND SHALL BE TREATED AS SUCH. NO DISCLOSURE OR REPRODUCTION OF THIS DOCUMENT IS PERMITTED, IN WHOLE OR IN PART, WITHOUT THE EXPRESS WRITTEN PERMISSION OF LINX TECHNOLOGIES OR ITS DESIGNATED AGENTS.

|           |  |  |
|-----------|--|--|
| MATERIAL: | TOLERANCES:<br>.020 [0.50]-.200 [5.00]= ±.008 [0.20]<br>.200 [5.00]-1.200 [30.00]= ±.016 [0.40]<br>1.20 [30.0]-4.75 [120.0]= ±.024 [0.60]<br>4.75 [120.0]-12.40 [315.0]= ±.040 [1.0] | PROJECTION:<br> |
| FINISH:   | DRAWN: B.MURPHY DT: 11-JUL-12  | ANGLES: ±1°  |
|           | ENGR: S.HOGAN DT: 11-JUL-12  |  |

**Linx**

159 ORT LANE  
MERLIN, OR 97532

TITLE:

MCX FEMALE EDGE MOUNT  
FOR 0.062" THICK BOARD

|            |                      |              |
|------------|----------------------|--------------|
| SIZE       | DWG. NO.             | REV          |
| A          | CONMCMX003.062       | B            |
| SCALE: 2:1 | DO NOT SCALE DRAWING | SHEET 1 OF 1 |

## X-ON Electronics

Largest Supplier of Electrical and Electronic Components

*Click to view similar products for [RF Connectors / Coaxial Connectors](#) category:*

*Click to view products by [Linx Technologies](#) manufacturer:*

Other Similar products are found below :

[8915-1511-000](#) [89674-0827](#) [6001-7071-019](#) [6002-7051-003](#) [6002-7551-202](#) [6059674-1](#) [619550-1](#) [630059-000](#) [M39030/3-01N](#) [6500-7071-046](#) [6769](#) [CX050L2AQ](#) [7002-1542-011](#) [7004-1512-000](#) [7009-1511-004](#) [7010-1511-000](#) [7029-1511-060](#) [7101-1541-010](#) [7101-1571-002](#) [7105-1521-002](#) [7145-1521-002](#) [7203-1571-003](#) [7209-1511-011](#) [7210-1511-015](#) [7210-1511-019](#) [73137-5015](#) [73216-2241](#) [73404-2300](#) [7405-1521-005](#) [7405-1521-802](#) [7406-1521-005](#) [8527](#) [8547](#) [FS11V](#) [8808-1511-001](#) [9049-9513-000](#) [9074-9513-000](#) [9101-9573-002](#) [910A205F](#) [9130-9573-002](#) [PL11SC-026](#) [PL375-33](#) [PL40-5](#) [PL71-9](#) [PL74C-221](#) [PL75MC-217](#) [PL803-7](#) [980-8666-005](#) [1200690078](#) [1-201144-1](#)