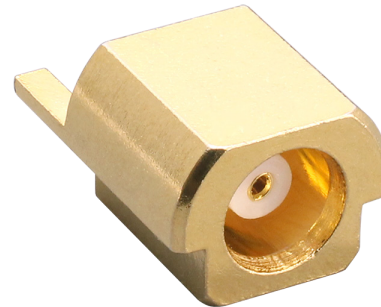


CONMCX013

MCX Jack PCB Cutout Edge Mount Connector

Operating from 0 GHz to 8.5 GHz, the CONMCX013 provides high performance and reliability in a small package. Mounting in a cutout/notch in a printed circuit board (PCB) and available in tape and reel packaging, the CONMCX013 is more compact than standard board edge mount connectors and is compatible with pick and place machines for high volume manufacturing. Additionally, all Linx connectors meet RoHS lead free standards and are tested to meet requirements for corrosion resistance, vibration, mechanical and thermal shock.



Features

- 0 to 8.5 GHz operation
- MCX (female socket) connection
 - Gold plated brass connector body
 - Gold plated beryllium copper center contact
- Direct surface-mount PCB attachment
- Reflow- or hand-solder assembly

Electrical Specifications

Impedance	50 Ω	
Frequency Range	0 to 8.5 GHz	
Insulation Resistance	1000 MΩ Min.	
Voltage Rating	750 V RMS	
Contact Resistance	Center: ≤ 5.0 mΩ Outer: ≤ 1.0 mΩ	
Selected Frequencies	6 GHz	8.5 GHz
Insertion Loss (dB max)	-0.51	-0.77
VSWR (max)	1.2	1.4

Ordering Information

Part Number	Description
CONMCX013	MCX jack (female socket), PCB cutout edge mount connector in trays (100 per tray)
CONMCX013-T	MCX jack (female socket), PCB cutout edge mount connector in tape and reel (1000 per reel)

Available from Linx Technologies and select distributors and representatives.

Product Dimensions

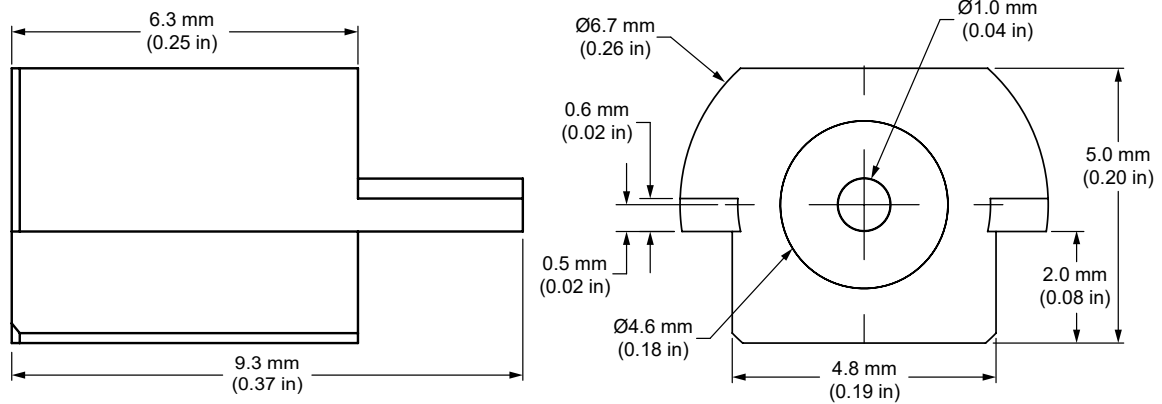


Figure 1. Product Dimensions for the CONMCX013 Connector

Connector Components

CONMCX013		
Connector Part	Material	Finish
Connector Body	Brass	Gold
Center Contact (fem. socket)	Beryllium Copper	Gold
Insulator	PTFE	-

Recommended PCB Footprint

Figure 2 shows the recommended PCB footprint and PCB cutout dimensions.

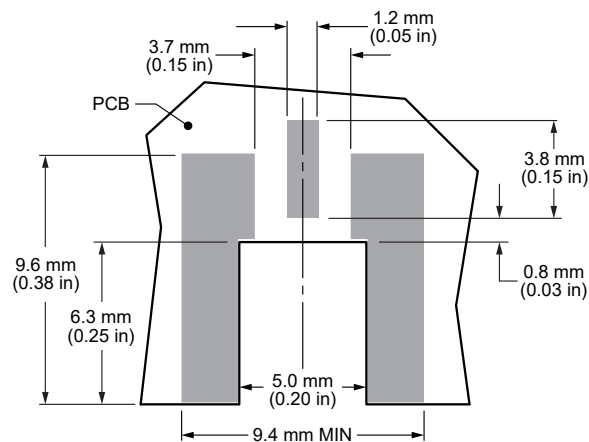


Figure 2. Recommended PCB Footprint for the CONMCX013 Connector

Mechanical Specifications

CONMCX013	
Mounting Type	PCB board edge
Fastening Type	Snap-on coupling
Connector Durability	500 cycles min.
Interface in Accordance with	CECC 22220
Weight	1.2 g (0.04 oz)

Insertion Loss

Figure 3 shows the Insertion Loss for the CONMCX013 connector. Insertion loss is the loss of signal power (gain) resulting from the insertion of a device in a transmission line.

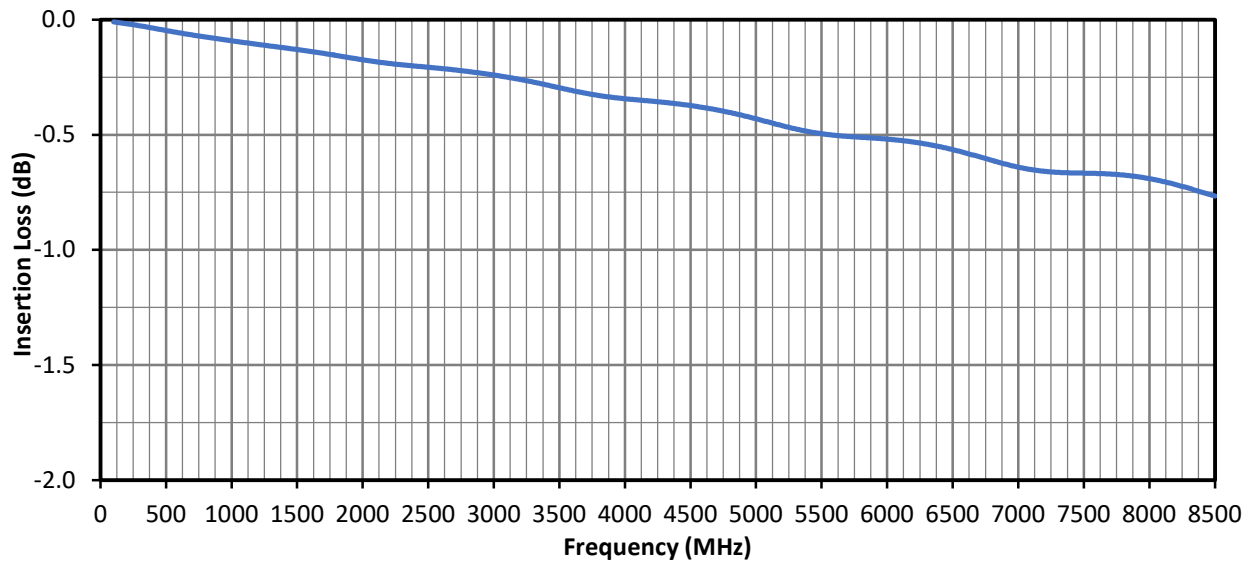


Figure 3. Insertion Loss for the CONMCX013 Connector

VSWR

Figure 4 provides the voltage standing wave ratio (VSWR) across the connector's bandwidth. VSWR describes how efficiently power is transmitted through the connector. A lower VSWR value indicates better performance at a given frequency.

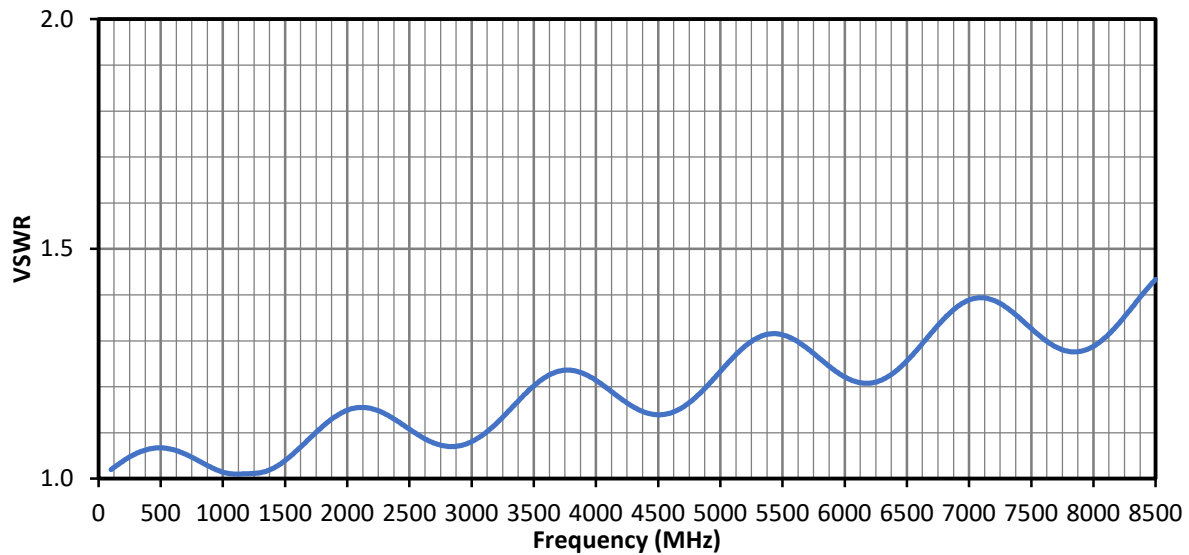


Figure 4. VSWR for the CONMCX013 Connector

Environmental Specifications

MIL-STD/Method/Test Condition	
Corrosion (Salt spray)	ASTM B-117
Thermal Shock	MIL-STD-202 Method 107 test condition F
Vibration	MIL-STD-202 Method 204 test condition B
Mechanical Shock	MIL-STD-202 Method 213 test condition B
Temperature Range	-65 °C to +165 °C
Environmental Compliance	RoHS

Reflow Solder Profile

Figure 5 shows the temperature and time data for reflow soldering the connector to a printed circuit board.

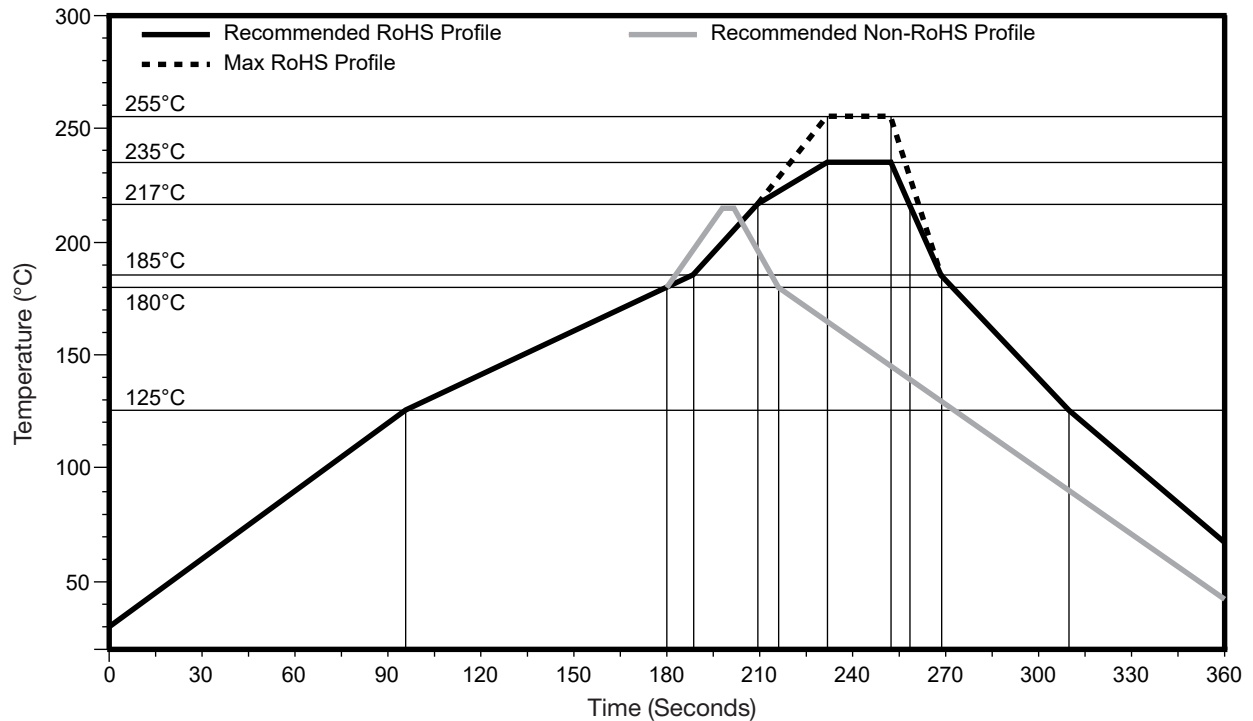


Figure 5. Recommended Reflow Solder Profile

Packaging Information

Figure 6 shows the dimensions of the tape in which the CONMCX013-T connectors are packaged. Reel dimensions are provided in Figure 7.

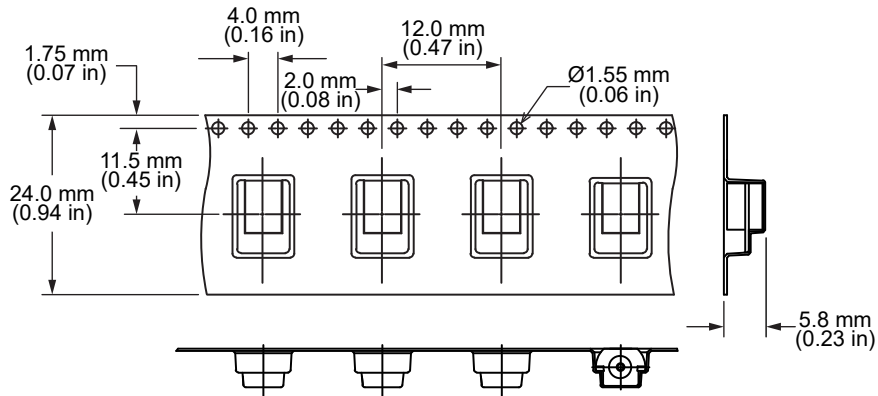
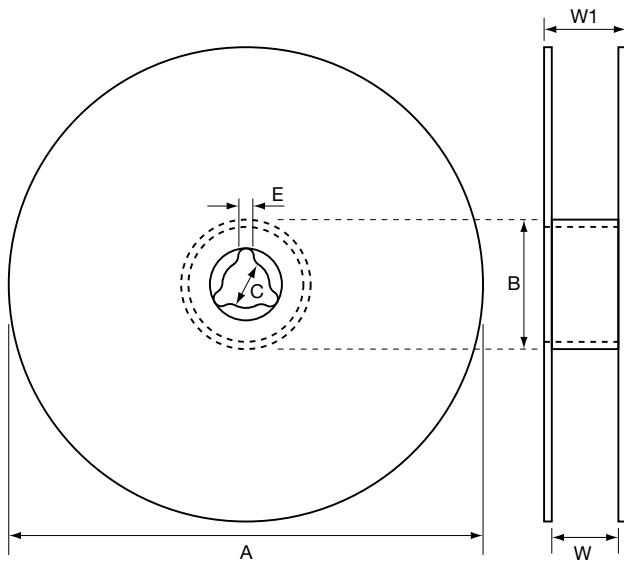


Figure 6. Tape Specifications for the CONMCX013-T Connector



Reel Dimensions		
Symbol	Qty	Unit
QTY per reel	1000	pcs
Tape width	24.00	mm
A	Ø 330 ±1	mm
B	Ø 100 ±0.5	mm
C	Ø 13.00 ±0.2	mm
E	2.2 ±0.5	mm
W	24 ±0.5	mm
W1	28.4 ±0.2	mm

Figure 7. Reel Specifications for the CONMCX013-T Connector

Website: <http://linxtechnologies.com>
Linx Offices: 159 Ort Lane, Merlin, OR, US 97532
Phone: +1 (541) 471-6256
E-MAIL: info@linxtechnologies.com

Linx Technologies reserves the right to make changes to the product(s) or information contained herein without notice. No liability is assumed as a result of their use or application. No rights under any patent accompany the sale of any such product(s) or information.

Wireless Made Simple is a registered trademark of Linx Acquisitions LLC. Other product and brand names may be trademarks or registered trademarks of their respective owners.

Copyright © 2020 Linx Technologies

All Rights Reserved

Doc# DS20268-106CON



X-ON Electronics

Largest Supplier of Electrical and Electronic Components

Click to view similar products for [RF Connectors / Coaxial Connectors](#) category:

Click to view products by [Linx Technologies](#) manufacturer:

Other Similar products are found below :

[8915-1511-000](#) [89674-0827](#) [6001-7071-019](#) [6002-7051-003](#) [6002-7551-202](#) [6059674-1](#) [619550-1](#) [630059-000](#) [M39030/3-01N](#) [6500-7071-046](#) [6769](#) [CX050L2AQ](#) [7002-1542-011](#) [7004-1512-000](#) [7009-1511-004](#) [7010-1511-000](#) [7029-1511-060](#) [7101-1541-010](#) [7101-1571-002](#) [7105-1521-002](#) [7145-1521-002](#) [7203-1571-003](#) [7209-1511-011](#) [7210-1511-015](#) [7210-1511-019](#) [73137-5015](#) [73216-2241](#) [7325-1512-000](#) [73404-2300](#) [7405-1521-005](#) [7405-1521-802](#) [7406-1521-005](#) [8527](#) [8547](#) [FS11V](#) [8808-1511-001](#) [9049-9513-000](#) [9074-9513-000](#) [9101-9573-002](#) [910A205F](#) [9130-9573-002](#) [PL11SC-026](#) [PL375-33](#) [PL40-5](#) [PL71-9](#) [PL74C-221](#) [PL75MC-217](#) [PL803-7](#) [980-8666-005](#) [1200690078](#)