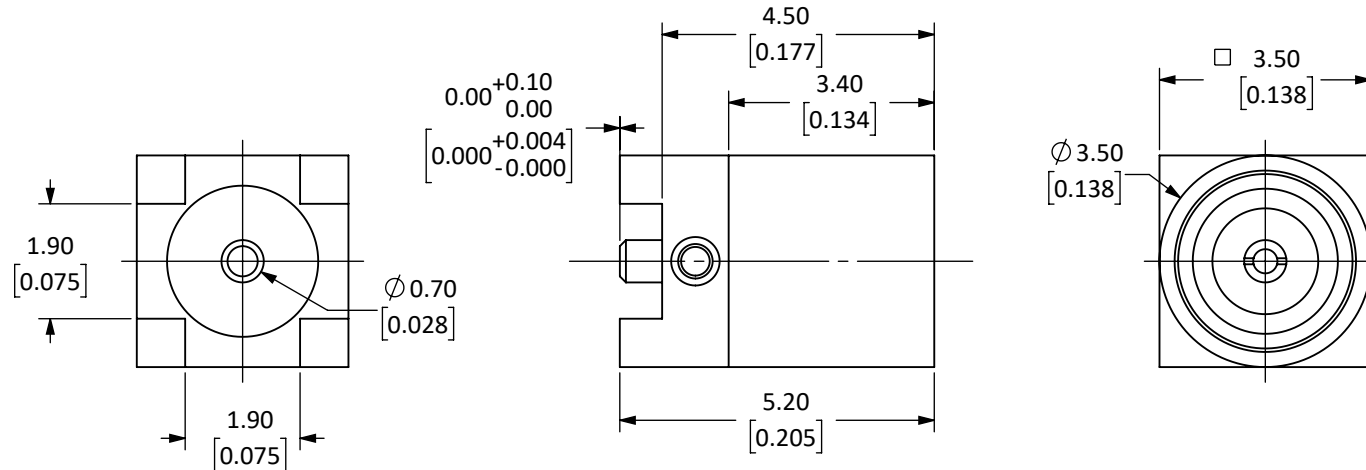


| | | |
|--------------------------------------|-------------|--------|
| Connector: MMCX Jack (Female Socket) | | |
| Termination: PCB Surface Mount | | |
| Connector Part | Material | Finish |
| Bodies | Body: Brass | Gold |
| Center Contact | Pin: Be Cu | Gold |
| Insulator | PTFE | - |

| REVISIONS | | | |
|-----------|---|-----------|------|
| REV | DESCRIPTION | DATE | APPV |
| B | UPDATED FOOTPRINT/DIMENSIONS. NEW TITLE BLOCK. | 11-JUL-12 | SAH |
| C | UPDATED SHEET SIZE/DIMENSIONS. ADDED DETAIL VIEW. | 3-JUL-18 | CLL |
| D | ADDED TAPE AND REEL SPECIFICATIONS | 4-MAR-20 | CLL |



NOTES: (UNLESS OTHERWISE SPECIFIED)

1. ALL DIMENSIONS ARE IN MILLIMETERS [INCHES].
2. DIMENSIONS APPLY AFTER FINISHING.
3. MANUFACTURE TO BE COMPLIANT WITH EU RoHS DIRECTIVE, USE MATERIALS THAT DO NOT CONTAIN REACH SUBSTANCES OF VERY HIGH CONCERN >1000ppm, AND USE DRC CONFLICT-FREE SOURCED MATERIALS.
4. SAFETY BREAK ALL SHARP CORNERS AND EDGES 0.5 MAXIMUM.
5. SEE TABLE I FOR ELECTRICAL SPECIFICATIONS. (SHEET 2)
6. SEE TABLE II FOR ENVIRONMENTAL SPECIFICATIONS. (SHEET 2)
7. SEE TABLE III FOR MECHANICAL SPECIFICATIONS. (SHEET 2)

WARNING: THIS DRAWING CONTAINS PROPRIETARY INFORMATION THAT IS THE SOLE PROPERTY OF LINX TECHNOLOGIES, AND SHALL BE TREATED AS SUCH. NO DISCLOSURE OR REPRODUCTION OF THIS DOCUMENT IS PERMITTED, IN WHOLE OR IN PART, WITHOUT THE EXPRESS WRITTEN PERMISSION OF LINX TECHNOLOGIES OR ITS DESIGNATED AGENTS.

Linxx 159 ORT LANE
MERLIN, OR 97532

TITLE:
**MMCX FEMALE
SURFACE MOUNT**

MATERIAL:
TOLERANCES:
0.50 [.020]-5.00 [.200]= ±0.20 [.008]
5.00 [.200]-30.00 [1.200]= ±0.40 [.016]
30.0 [1.20]-120.0 [4.75]= ±0.60 [0.24]
120.0 [4.75]-315.0 [12.40]= ±1.0 [.040]
PROJECTION:
ANGLES: ±1°

SIZE DWG. NO. REV
A CONMMCX001-SMD **E**

FINISH:
DRAWN: M. SCHULTE DT: 26-FEB-20
ENGR: S. HOGAN DT: 3-MAR-20

SCALE: 8:1 DO NOT SCALE DRAWING SHEET 1 OF 2



SCALE 1 : 1

5 TABLE I

| Electrical Data | Detail |
|-----------------------|-----------------------------------|
| Impedance | 50 Ω |
| Frequency Range | 0 to 6 GHz |
| Insulation Resistance | ≥ 500 MΩ |
| Voltage Rating | 1000 V RMS |
| Contact Resistance | Center: ≤ 10.0 m Ω Outer: ≤ 5 m Ω |
| VSWR | ≤ 1.25 |

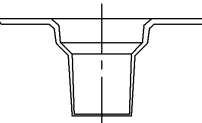
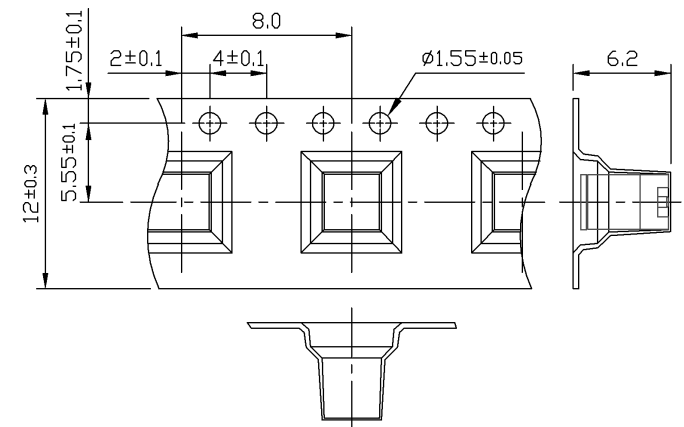
6 TABLE II

| Environmental Data | Detail |
|--------------------------|---|
| Corrosion (Salt Spray) | MIL-STD-202 METHOD 101 TEST CONDITION B |
| Thermal Shock | MIL-STD-202 METHOD 107 TEST CONDITION B |
| Vibration | MIL-STD-202 METHOD 204 TEST CONDITION D |
| Mechanical Shock | MIL-STD-202 METHOD 213 TEST CONDITION I |
| Temperature Range | -65 °C to +165 °C |
| Environmental Compliance | RoHS |

7 TABLE III

| Mechanical Data | Detail |
|----------------------|----------------------------|
| Mounting Type | Panel Mount, Surface Mount |
| Fastening Type | Snap-On Coupling |
| Connector Durability | 500 cycles min. |
| Weight | 0.2 g (0.01 oz) |

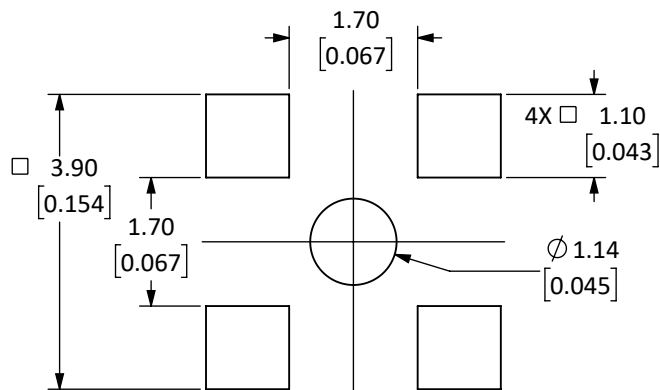
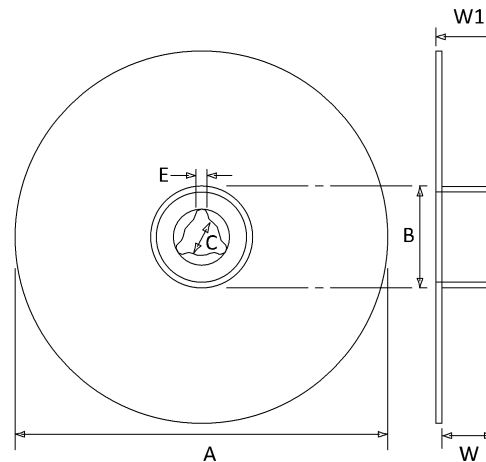
TAPE DIMENSIONS



REEL DIMENSIONS

| SYMBOL | DIMENSION (mm) | TOLERANCE |
|--------|----------------|-------------|
| A | 330 | + 1.50 |
| B | 100 | + 1.00 |
| C | 13.3 | + 0.30 |
| E | 2.5 | + 0.30 |
| W | 24.5 | +1.50 -0.10 |
| W1 | 28.7 | + 0.40 |

900 PCS/REEL



RECOMMENDED FOOTPRINT

| | | |
|------------|-----------------------|--------------|
| SIZE | DWG. NO. | REV |
| A | CONMMCX001-SMD | E |
| SCALE: 4:1 | DO NOT SCALE DRAWING | SHEET 2 OF 2 |

X-ON Electronics

Largest Supplier of Electrical and Electronic Components

Click to view similar products for [RF Connectors / Coaxial Connectors](#) category:

Click to view products by [Linx Technologies](#) manufacturer:

Other Similar products are found below :

[8915-1511-000](#) [89674-0827](#) [6001-7071-019](#) [6002-7051-003](#) [6002-7551-202](#) [6059674-1](#) [619550-1](#) [630059-000](#) [M39030/3-01N](#) [6500-7071-046](#) [6769](#) [CX050L2AQ](#) [7002-1542-011](#) [7004-1512-000](#) [7009-1511-004](#) [7010-1511-000](#) [7029-1511-060](#) [7101-1541-010](#) [7101-1571-002](#) [7105-1521-002](#) [7145-1521-002](#) [7203-1571-003](#) [7209-1511-011](#) [7210-1511-015](#) [7210-1511-019](#) [73137-5015](#) [73216-2241](#) [73404-2300](#) [7405-1521-005](#) [7405-1521-802](#) [7406-1521-005](#) [8527](#) [8547](#) [FS11V](#) [8808-1511-001](#) [9049-9513-000](#) [9074-9513-000](#) [9101-9573-002](#) [910A205F](#) [9130-9573-002](#) [PL11SC-026](#) [PL375-33](#) [PL40-5](#) [PL71-9](#) [PL74C-221](#) [PL75MC-217](#) [PL803-7](#) [980-8666-005](#) [1200690078](#) [1-201144-1](#)