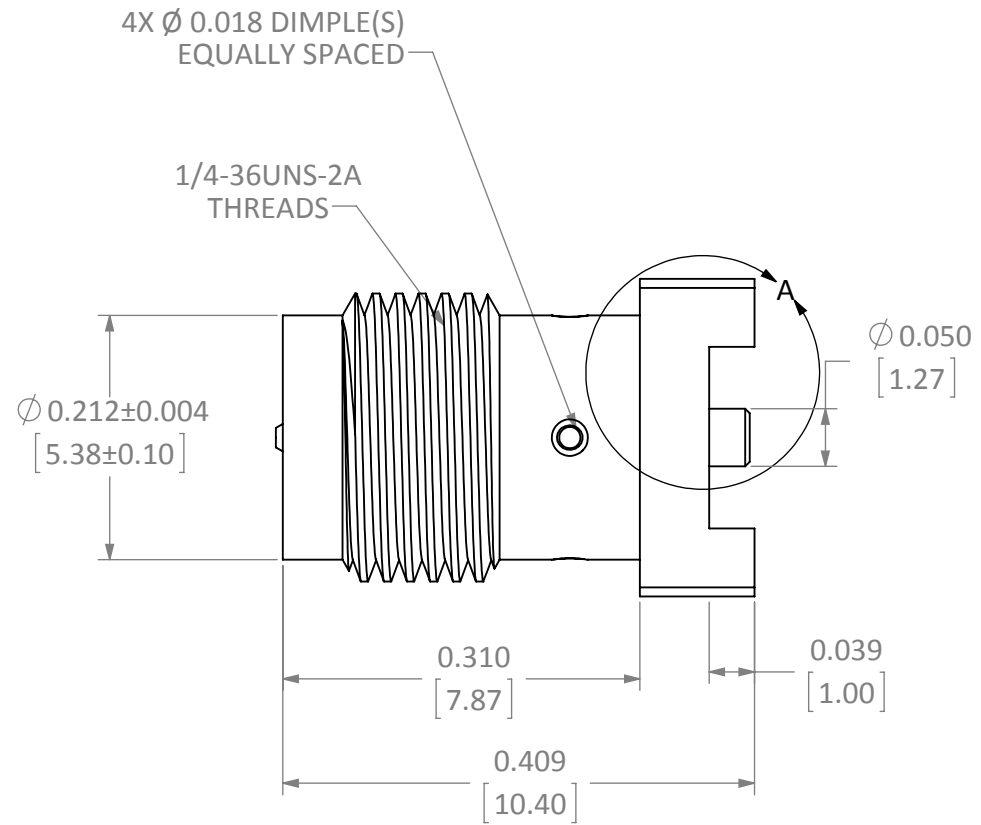
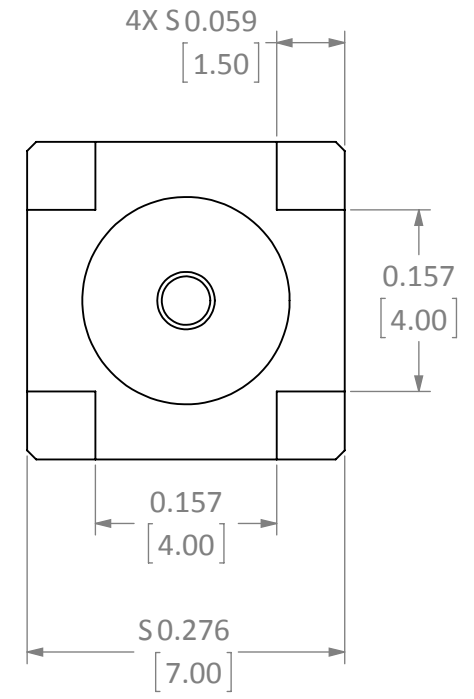


| DESCRIPTION | MATERIAL | FINISH |
|-------------|----------|--------|
| BODY | BRASS | GOLD |
| PIN | BeCu | GOLD |
| INSULATION | PTFE | N/A |

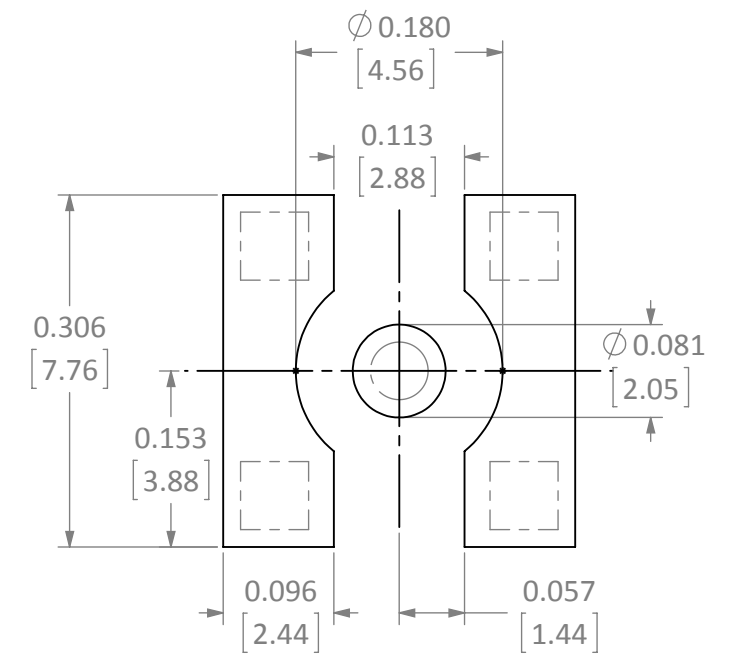
| REVISIONS | | | |
|-----------|---|-----------|------|
| REV | DESCRIPTION | DATE | APPV |
| B | ADDED NEW TITLE BLOCK; UPDATED DIMENSIONS AND FOOTPRINT | 5-MAR-12 | SAH |
| C | UPDATED MATERIALS | 10-JUL-12 | SAH |
| D | ADDED DIMPLE TO PART | 3-JUN-13 | SAH |
| E | ADDED CONTACT TO STANDOFF DIMENSION; UPDATED NOTE 3 | 3-MAY-16 | SAH |
| F | ADDED OUTER BARREL DIMENSION | 29-NOV-17 | CLL |



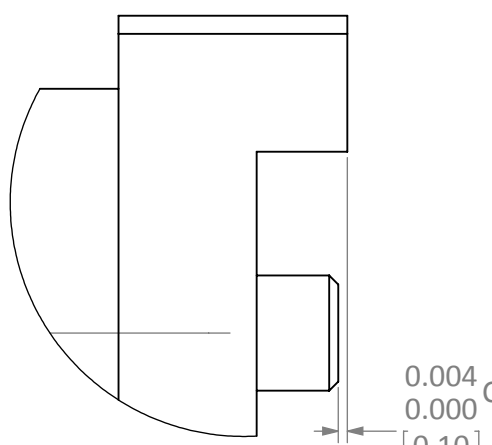
SIDE VIEW



BOTTOM VIEW



RECOMMENDED FOOTPRINT



DETAIL A
SCALE 12 : 1

CENTER CONTACT TO MOUNTING PLANE STAND-OFF

- NOTES: (UNLESS OTHERWISE SPECIFIED)
1. ALL DIMENSIONS ARE IN INCHES [mm].
 2. DIMENSIONS APPLY AFTER FINISHING.
 3. MANUFACTURE TO BE COMPLIANT WITH EU RoHS DIRECTIVE, USE MATERIALS THAT DO NOT CONTAIN REACH SUBSTANCES OF VERY HIGH CONCERN >1000ppm, AND USE DRC CONFLICT-FREE SOURCED MATERIALS.
 4. SAFETY BREAK ALL SHARP CORNERS AND EDGES .02 MAXIMUM.

| | | | |
|---|-------------------------------|---|-------------------------------------|
| WARNING: THIS DRAWING CONTAINS PROPRIETARY INFORMATION THAT IS THE SOLE PROPERTY OF LINX TECHNOLOGIES, AND SHALL BE TREATED AS SUCH. NO DISCLOSURE OR REPRODUCTION OF THIS DOCUMENT IS PERMITTED, IN WHOLE OR IN PART, WITHOUT THE EXPRESS WRITTEN PERMISSION OF LINX TECHNOLOGIES OR ITS DESIGNATED AGENTS. | | Linx 159 ORT LANE MERLIN, OR 97532 | |
| MATERIAL: INTERPRET DIMENSIONS AND TOLERANCES PER ASME Y14.5. | | PROJECTION: | |
| SURFACE FINISH: ANGLES: ±1° | | TITLE: RP-SMA FEMALE PCB MOUNT SURFACE MOUNT | |
| TOLERANCES: .X ±.1 .XX ±.01 .XXX ±.005 | | SIZE: B | DWG. NO.: CONREVSMA001-SMD-G |
| FINISH: | DRAWN: B.MURPHY DT: 11-MAR-13 | REV: F | |
| | ENGR: S.HOGAN DT: 3-JUN-13 | SCALE: 6:1 | DO NOT SCALE DRAWING |
| | | SHEET 1 OF 1 | LDCDFB_C |

X-ON Electronics

Largest Supplier of Electrical and Electronic Components

Click to view similar products for [RF Connectors / Coaxial Connectors](#) category:

Click to view products by [Linx Technologies](#) manufacturer:

Other Similar products are found below :

[8915-1511-000](#) [89674-0827](#) [6001-7071-019](#) [6002-7051-003](#) [6002-7551-202](#) [6059674-1](#) [619550-1](#) [630059-000](#) [M39030/3-01N](#) [6500-7071-046](#) [6769](#) [CX050L2AQ](#) [7002-1542-011](#) [7004-1512-000](#) [7009-1511-004](#) [7010-1511-000](#) [7029-1511-060](#) [7101-1541-010](#) [7101-1571-002](#) [7105-1521-002](#) [7145-1521-002](#) [7203-1571-003](#) [7209-1511-011](#) [7210-1511-015](#) [7210-1511-019](#) [73137-5015](#) [73216-2241](#) [73404-2300](#) [7405-1521-005](#) [7405-1521-802](#) [7406-1521-005](#) [8527](#) [8547](#) [FS11V](#) [8808-1511-001](#) [9049-9513-000](#) [9074-9513-000](#) [9101-9573-002](#) [910A205F](#) [9130-9573-002](#) [PL11SC-026](#) [PL375-33](#) [PL40-5](#) [PL71-9](#) [PL74C-221](#) [PL75MC-217](#) [PL803-7](#) [980-8666-005](#) [1200690078](#) [1-201144-1](#)