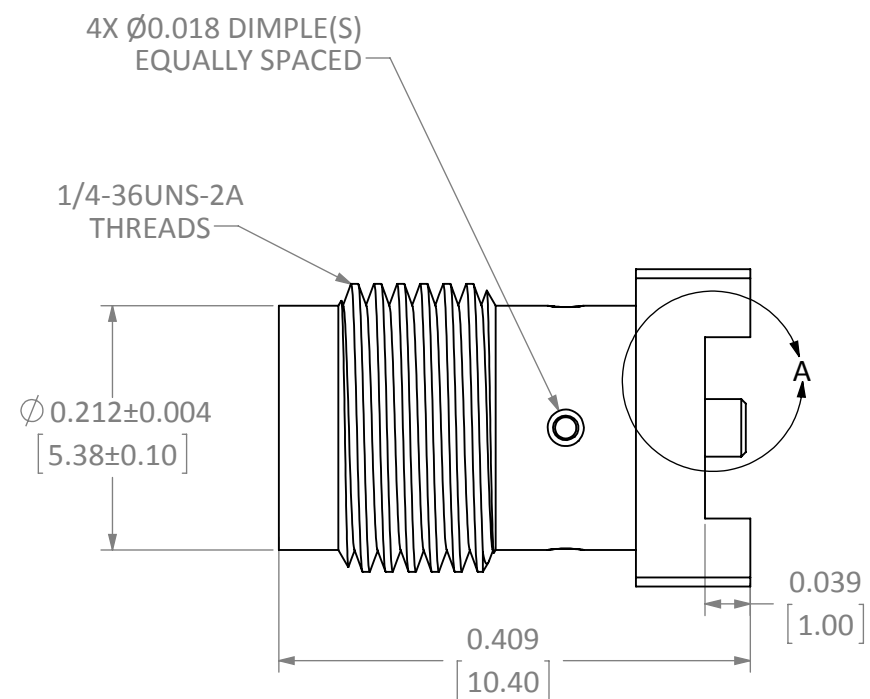
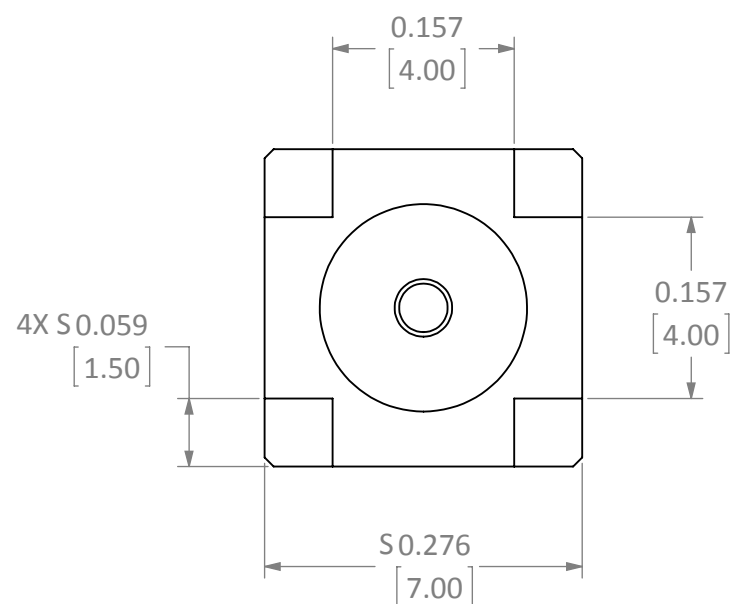


DESCRIPTION	MATERIAL	FINISH
BODY	BRASS	GOLD
SOCKET	Be Cu	GOLD
INSULATION	PTFE	N/A

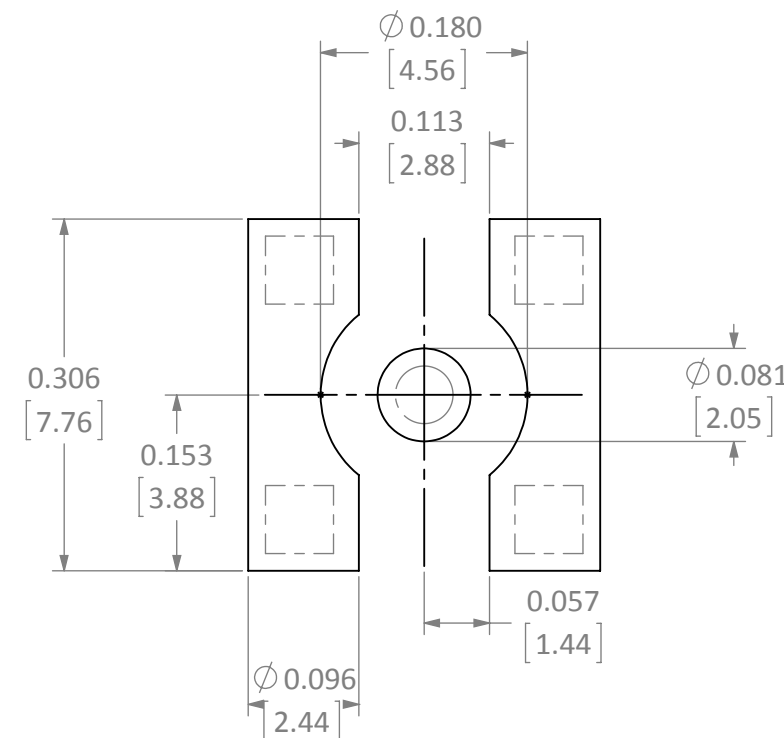
REVISIONS			
REV	DESCRIPTION	DATE	APPV
B	RECOMMENDED FOOTPRINT REVISED; GOLD & NICKEL FINISH OPTIONS	9/25/09	CJ
C	ADDED NEW TITLE BLOCK; UPDATED RECOMMENDED FOOTPRINT	19-JUL-13	BPM
D	ADDED DIMPLING TO PART; REMOVED FINISH OPTIONS	3-JUN-13	SAH
E	ADDED CONTACT TO STANDOFF DIMENSION; UPDATED NOTE 3	3-MAY-16	SAH
F	UPDATED OUTER BARREL DIMENSION WAS Ø0.200 IS Ø0.212	29-NOV-17	CLL



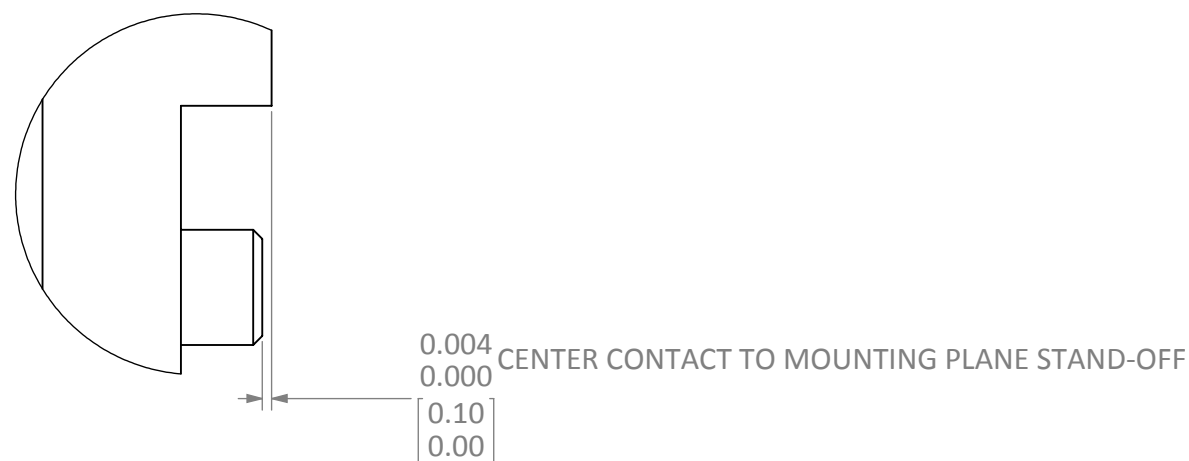
SIDE VIEW



BACK VIEW



RECOMMENDED FOOTPRINT



DETAIL A  
SCALE 12 : 1

NOTES: (UNLESS OTHERWISE SPECIFIED)

1. ALL DIMENSIONS ARE IN INCHES [mm].
2. DIMENSIONS APPLY AFTER FINISHING.
3. MANUFACTURE TO BE COMPLIANT WITH EU RoHS DIRECTIVE, USE MATERIALS THAT DO NOT CONTAIN REACH SUBSTANCES OF VERY HIGH CONCERN >1000ppm, AND USE DRC CONFLICT-FREE SOURCED MATERIALS.
4. SAFETY BREAK ALL SHARP CORNERS AND EDGES .02 MAXIMUM.

**WARNING:** THIS DRAWING CONTAINS PROPRIETARY INFORMATION THAT IS THE SOLE PROPERTY OF LINX TECHNOLOGIES, AND SHALL BE TREATED AS SUCH. NO DISCLOSURE OR REPRODUCTION OF THIS DOCUMENT IS PERMITTED, IN WHOLE OR IN PART, WITHOUT THE EXPRESS WRITTEN PERMISSION OF LINX TECHNOLOGIES OR ITS DESIGNATED AGENTS.

**Linx** 159 ORT LANE  
MERLIN, OR 97532

MATERIAL:	INTERPRET DIMENSIONS AND TOLERANCES PER ASME Y14.5.	PROJECTION:	TITLE: <b>SMA FEMALE PCB MOUNT SURFACE MOUNT</b>	
FINISH:	SURFACE FINISH: $\sqrt{}$ ANGLES: $\pm 1^\circ$	SIZE: <b>B</b>	DWG. NO. <b>CONSMA001-SMD-G</b>	REV <b>F</b>
	TOLERANCES: .X $\pm$ .1 .XX $\pm$ .01 .XXX $\pm$ .005	DRAWN: B.MURPHY DT: 22-APR-13	SCALE: 6:1	SHEET 1 OF 1
		ENGR: S.HOGAN DT: 3-JUN-13	DO NOT SCALE DRAWING	LDCDFB_C

## X-ON Electronics

Largest Supplier of Electrical and Electronic Components

*Click to view similar products for [RF Connectors / Coaxial Connectors](#) category:*

*Click to view products by [Linx Technologies](#) manufacturer:*

Other Similar products are found below :

[8915-1511-000](#) [89674-0827](#) [6001-7071-019](#) [6002-7051-003](#) [6002-7551-202](#) [6059674-1](#) [619550-1](#) [630059-000](#) [M39030/3-01N](#) [6500-7071-046](#) [6769](#) [CX050L2AQ](#) [7002-1542-011](#) [7004-1512-000](#) [7009-1511-004](#) [7010-1511-000](#) [7029-1511-060](#) [7101-1541-010](#) [7101-1571-002](#) [7105-1521-002](#) [7145-1521-002](#) [7203-1571-003](#) [7209-1511-011](#) [7210-1511-015](#) [7210-1511-019](#) [73137-5015](#) [73216-2241](#) [7325-1512-000](#) [73404-2300](#) [7405-1521-005](#) [7405-1521-802](#) [7406-1521-005](#) [8527](#) [8547](#) [FS11V](#) [8808-1511-001](#) [9049-9513-000](#) [9074-9513-000](#) [9101-9573-002](#) [910A205F](#) [9130-9573-002](#) [PL11SC-026](#) [PL375-33](#) [PL40-5](#) [PL71-9](#) [PL74C-221](#) [PL75MC-217](#) [PL803-7](#) [980-8666-005](#) [1200690078](#)