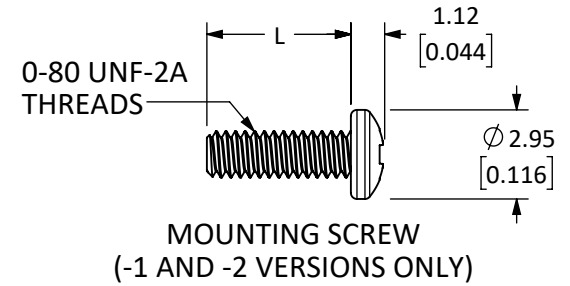
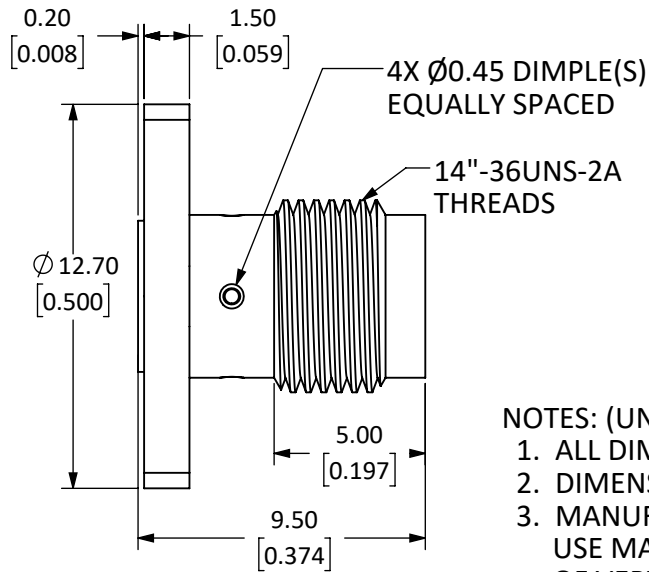
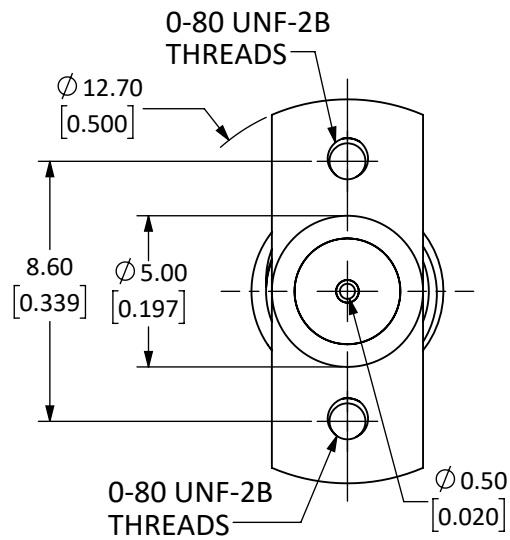


| | | | | |
|-------------------------------------|----------------------------|-----------------|----------------|------------|
| Connector: SMA Jack (Female Socket) | | | | |
| Body Style | PCB Threaded Flange Mount | | | |
| Part Number | CON SMA017 | CON SMA017-1 | CON SMA017-2 | |
| Connector Part | Material | Finish | | |
| Body | Stainless Steel | Passivated | Passivated | Passivated |
| Center Contact | Socket: BeCu | Gold | Gold | Gold |
| Insulator | PTFE | - | - | - |
| 0-80 UNF-2B Threaded Screws | Passivated Stainless Steel | - | 2 | 2 |
| Screw Length (L) | - | 4.76mm [0.188"] | 6.35mm [0.25"] | |

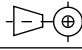
| REVISIONS | | | |
|-----------|---------------------------------|------|----------|
| REV | DESCRIPTION | DATE | APPV |
| A | INITIAL RELEASE OF SOLID MODEL. | CLL | 6-FEB-20 |



NOTES: (UNLESS OTHERWISE SPECIFIED)

1. ALL DIMENSIONS ARE IN MILLIMETERS [INCHES].
2. DIMENSIONS APPLY AFTER FINISHING.
3. MANUFACTURE TO BE COMPLIANT WITH EU RoHS DIRECTIVE, USE MATERIALS THAT DO NOT CONTAIN REACH SUBSTANCES OF VERY HIGH CONCERN >1000ppm, AND USE DRC CONFLICT-FREE SOURCED MATERIALS.
4. SAFETY BREAK ALL SHARP CORNERS AND EDGES 0.5 MAXIMUM.
5. SEE TABLE I FOR ELECTRICAL SPECIFICATIONS. (SHEET 2)
6. SEE TABLE II FOR ENVIRONMENTAL SPECIFICATIONS. (SHEET 2)
7. SEE TABLE III FOR MECHANICAL SPECIFICATIONS. (SHEET 2)
8. SEE PARTSLIST. "*" INDICATES SCREW STYPE INCLUDED.

WARNING: THIS DRAWING CONTAINS PROPRIETARY INFORMATION THAT IS THE SOLE PROPERTY OF LINX TECHNOLOGIES, AND SHALL BE TREATED AS SUCH. NO DISCLOSURE OR REPRODUCTION OF THIS DOCUMENT IS PERMITTED, IN WHOLE OR IN PART, WITHOUT THE EXPRESS WRITTEN PERMISSION OF LINX TECHNOLOGIES OR ITS DESIGNATED AGENTS.

| | | |
|-----------|--|--|
| MATERIAL: | TOLERANCES: 0.50 [.020]-5.00 [.200]= ±0.20 [.008] 5.00 [.200]-30.00 [1.200]= ±0.40 [.016] 30.0 [1.20]-120.0 [4.75]= ±0.60 [0.24] 120.0 [4.75]-315.0 [12.40]= ±1.0 [.040] | PROJECTION:  |
| FINISH: | ANGLES: ±1° | |

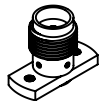
Linx 159 ORT LANE
MERLIN, OR 97532

TITLE:
**SMA FEMALE FLANGE MOUNT
0-80 UNF-2B THREADS**

| | | |
|----------|---------------------|----------|
| SIZE | DWG. NO. | REV |
| A | CON SMA017-* | A |

| | |
|-----------------------|---------------|
| DRAWN: M. SCHULTE | DT: 15-JAN-20 |
| ENGR: D. VARATHARAJAN | DT: 6-FEB-20 |

| | | |
|------------|----------------------|--------------|
| SCALE: 4:1 | DO NOT SCALE DRAWING | SHEET 1 OF 2 |
|------------|----------------------|--------------|



SCALE 1 : 1

5 TABLE I

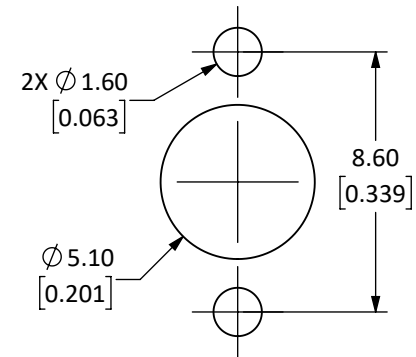
| Electrical Data | Detail |
|-----------------------|---|
| Impedance | 50 Ω |
| Frequency Range | 0 to 27 GHz |
| Insulation Resistance | ≥ 5000 M Ω |
| Voltage Rating | 1000 V RMS |
| Contact Resistance | Center ≤ 3.0 m Ω Outer: ≤ 2.0 m Ω |
| VSWR | ≤ 1.5 @18 GHz to 26.5 GHz |

6 TABLE II

| Environmental Data | Detail |
|--------------------------|---|
| Corrosion (Salt Spray) | MIL-STD-202 METHOD 101 TEST CONDITION B |
| Thermal Shock | MIL-STD-202 METHOD 107 TEST CONDITION B |
| Vibration | MIL-STD-202 METHOD 204 TEST CONDITION D |
| Mechanical Shock | MIL-STD-202 METHOD 213 TEST CONDITION I |
| Temperature Range | -65 °C to +165 °C |
| Environmental Compliance | ROHS |

7 TABLE III

| Mechanical Data | Detail |
|-------------------------|---------------------------------|
| Mounting Type | Panel Mount |
| Fastening Type | 1/4"-36UNS-2A Threaded Coupling |
| Recommended Torque | 0.57 N.m (5 in.lbs) |
| Coupling Nut Retention | 60 lbs min. |
| Connector Durability | 500 cycles min. |
| Weight (connector only) | 1.4 g (0.05 oz) |



RECOMMENDED MOUNTING HOLES

| SIZE | DWG. NO. | REV |
|------------|----------------------|--------------|
| A | CONSMA017-* | A |
| SCALE: 4:1 | DO NOT SCALE DRAWING | SHEET 2 OF 2 |

X-ON Electronics

Largest Supplier of Electrical and Electronic Components

Click to view similar products for [RF Connectors / Coaxial Connectors](#) category:

Click to view products by [Linx Technologies](#) manufacturer:

Other Similar products are found below :

[8915-1511-000](#) [89674-0827](#) [6001-7071-019](#) [6002-7051-003](#) [6002-7551-202](#) [6059674-1](#) [619550-1](#) [630059-000](#) [M39030/3-01N](#) [6500-7071-046](#) [6769](#) [CX050L2AQ](#) [7002-1542-011](#) [7004-1512-000](#) [7009-1511-004](#) [7010-1511-000](#) [7029-1511-060](#) [7101-1541-010](#) [7101-1571-002](#) [7105-1521-002](#) [7145-1521-002](#) [7203-1571-003](#) [7209-1511-011](#) [7210-1511-015](#) [7210-1511-019](#) [73137-5015](#) [73216-2241](#) [73404-2300](#) [7405-1521-005](#) [7405-1521-802](#) [7406-1521-005](#) [8527](#) [8547](#) [FS11V](#) [8808-1511-001](#) [9049-9513-000](#) [9074-9513-000](#) [9101-9573-002](#) [910A205F](#) [9130-9573-002](#) [PL11SC-026](#) [PL375-33](#) [PL40-5](#) [PL71-9](#) [PL74C-221](#) [PL75MC-217](#) [PL803-7](#) [980-8666-005](#) [1200690078](#) [1-201144-1](#)