

## CONSMA024-G

### SMA Jack PCB Cutout Edge Mount Connector

---

Operating from 0 GHz to 18 GHz, the CONSMA024-G provides high performance and reliability in a small package. Mounting in a cutout/notch in a printed circuit board (PCB) and available in tape and reel packaging, the CONSMA024-G is more compact than standard board edge mount connectors and is compatible with pick and place machines for high volume manufacturing. Additionally, all Linx connectors meet RoHS lead free standards and are tested to meet requirements for corrosion resistance, vibration, mechanical and thermal shock.



#### Features

- 0 to 18 GHz operation
- SMA jack (female socket) connection
  - Gold plated brass connector body
  - Gold plated phosphor bronze center contact
- Direct surface-mount PCB attachment
- Reflow- or hand-solder assembly

#### Electrical Specifications

<b>Impedance</b>	50 $\Omega$
<b>Frequency Range</b>	0 to 18 GHz
<b>Insulation Resistance</b>	5000 M $\Omega$ min.
<b>Voltage Rating</b>	750 V RMS
<b>Contact Resistance</b>	Center: $\leq$ 2.0 m $\Omega$ Outer: $\leq$ 2.0 m $\Omega$
<b>Insertion Loss (dB max)</b>	-0.42 @ 6 GHz
<b>VSWR (max)</b>	1.15 @ 6 GHz

#### Ordering Information

Part Number	Description
CONSMA024-G	SMA jack (female socket), PCB cutout edge mount connector in trays (100 per tray)
CONSMA024-G-T	SMA jack (female socket), PCB cutout edge mount connector in tape and reel (500 per reel)

Available from Linx Technologies and select distributors and representatives.

Product Dimensions

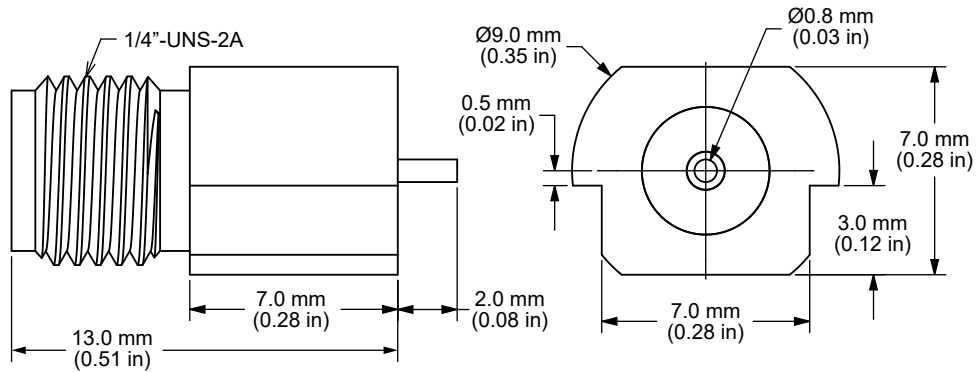


Figure 1. Product Dimensions for the CON SMA024-G Connector

Connector Components

CON SMA024-G		
Connector Part	Material	Finish
Connector Body	Brass	Gold
Center Contact	Phosphor Bronze	Gold
Insulator	PTFE	–

Recommended Footprint

Figure 2 shows the recommended PCB footprint and PCB cutout dimensions.

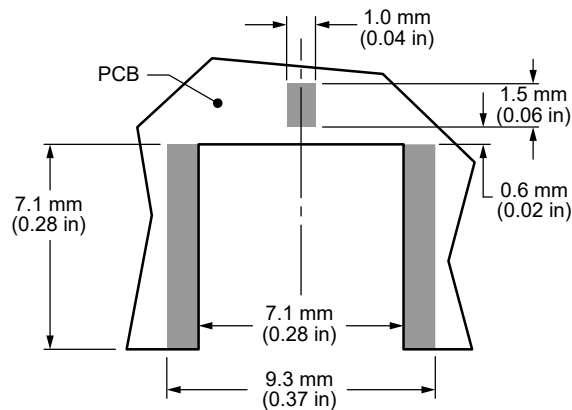


Figure 2. Recommended PCB Footprint for the CON SMA024-G Connector

Mechanical Specifications

CON SMA024-G	
Mounting Type	PCB Board Edge
Fastening Type	1/4\"-36 UNS-2A threaded coupling
Interface in Accordance with	MIL-STD-348A
Recommended Torque	0.57 N m (5.0 in lbs)
Coupling Nut Retention	60 lbs. min.
Connector Durability	500 cycles min.
Weight	3.2 g (0.11 oz)

### Connector Performance

Table 1 shows insertion loss and VSWR values for the CONSMA024-G connector at commonly used frequencies.

Insertion loss is the loss of signal power (gain) resulting from the insertion of a device in a transmission line. VSWR describes how efficiently power is transmitted through the connector. A lower VSWR value indicates better performance at a given frequency.

**Table 1. Insertion Loss and VSWR for the CONSMA024-G Connector**

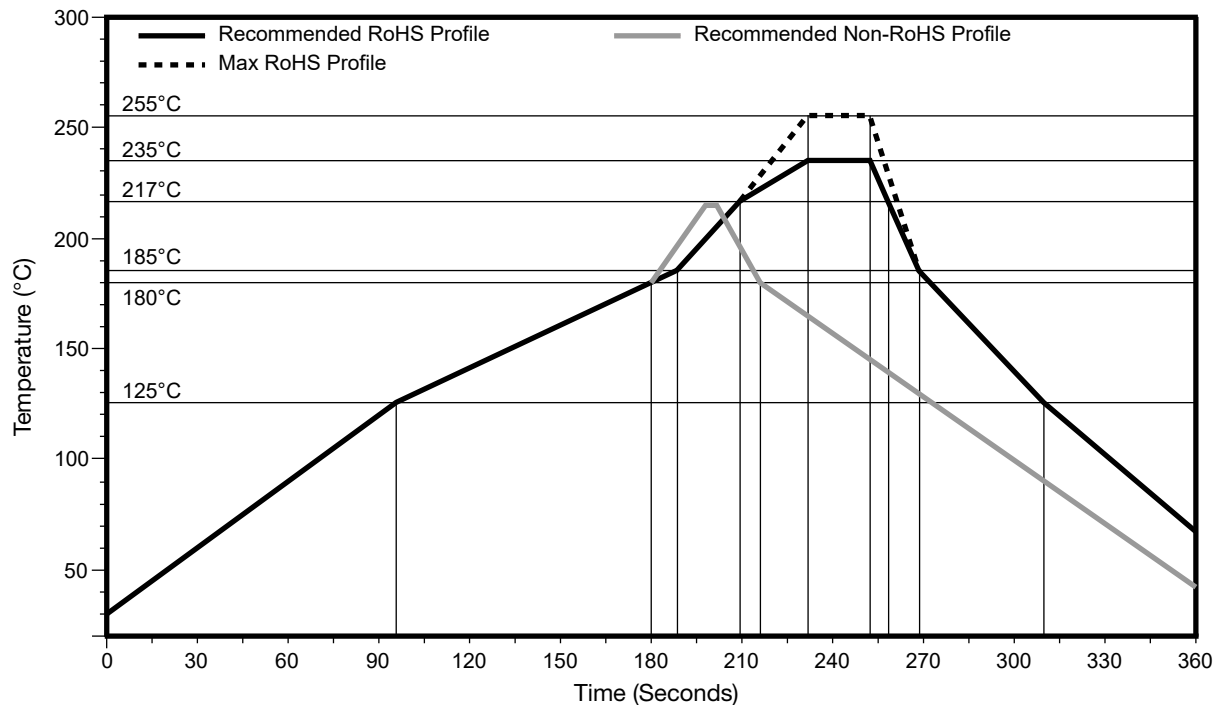
Band	Low-Band Cellular/ ISM/LPWA	Midband Cellular/ GNSS	WiFi/ISM	WiFi 6
Frequency Range	400 MHz to 960 MHz	1.1 GHz to 5 GHz	2.4 GHz	5 GHz to 7.125 GHz
Insertion Loss (dB max)	-0.07	-0.35	-0.17	-0.51
VSWR (max)	1.1	1.2	1.1	1.3

### Environmental Specifications

MIL-STD/Method/Test Condition	
Corrosion (Salt spray)	MIL-STD-202 Method 101 test condition B
Thermal Shock	MIL-STD-202 Method 107 test condition B
Vibration	MIL-STD-202 Method 204 test condition D
Mechanical Shock	MIL-STD-202 Method 213 test condition I
Temperature Range	-55 °C to +155 °C
Environmental Compliance	RoHS

### Reflow Solder Profile

Figure 3 shows the time and temperature data for reflow soldering the connector to a PCB.



**Figure 3. Recommended Reflow Solder Profile**

Packaging Information

Figure 4 shows the tape dimensions for the CONSMA024-G-T connector. The reel specifications are provided in Figure 5.

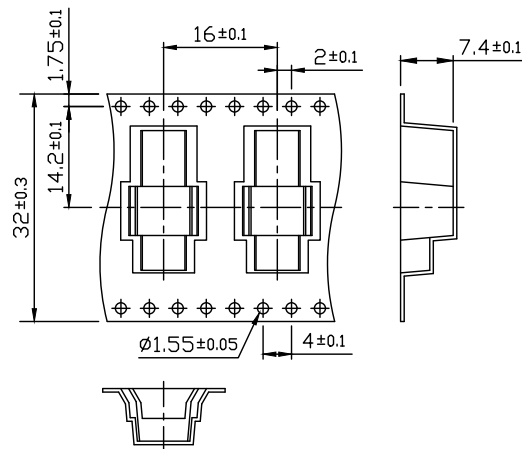
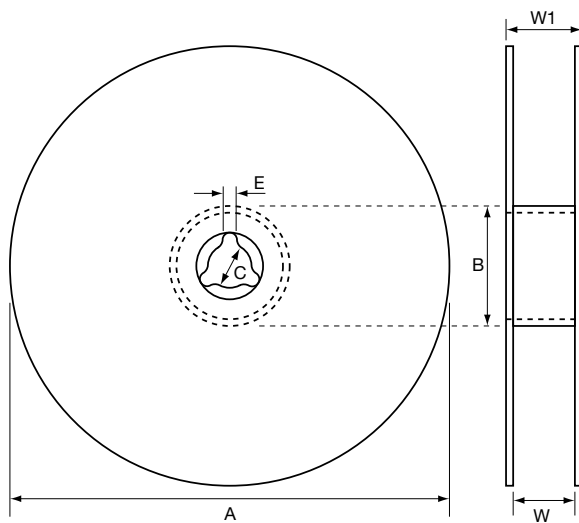


Figure 4. Tape Specifications for the CONSMA024-G-T Connector



Reel Dimensions		
Symbol	Qty	Unit
QTY per reel	500	pcs
Tape width	24.00	mm
A	Ø 330 ±1	mm
B	Ø 100 ±0.5	mm
C	Ø 13.00 ±0.2	mm
E	2.2 ±0.5	mm
W	24 ±0.5	mm
W1	28.4 ±0.2	mm

Figure 5. Reel Specifications for the CONSMA024-G-T Connector

### Connector & Adapter Definitions and Useful Formulas

**VSWR** - Voltage Standing Wave Ratio. VSWR is a unitless ratio that describes how efficiently power is transmitted through the connector. A lower VSWR value indicates better performance at a given frequency. VSWR is easily derived from Return Loss.

$$VSWR = \frac{10^{\left[\frac{\text{Return Loss}}{20}\right]} + 1}{10^{\left[\frac{\text{Return Loss}}{20}\right]} - 1}$$

**Insertion Loss** - The loss of signal power (gain) resulting from the insertion of a device in a transmission line. Insertion loss can be derived from the power transmitted to the load before the insertion of the component  $P_T$  and the power transmitted to the load after the insertion of the component  $P_R$ .

$$\text{Insertion Loss (dB)} = 10 \log_{10} \frac{P_T}{P_R}$$

**Website:** <http://linxtechnologies.com>  
**Linx Offices:** 159 Ort Lane, Merlin, OR, US 97532  
**Phone:** +1 (541) 471-6256  
**E-MAIL:** [info@linxtechnologies.com](mailto:info@linxtechnologies.com)

Linx Technologies reserves the right to make changes to the product(s) or information contained herein without notice. No liability is assumed as a result of their use or application. No rights under any patent accompany the sale of any such product(s) or information.

Wireless Made Simple is a registered trademark of Linx Acquisitions LLC. Other product and brand names may be trademarks or registered trademarks of their respective owners.

Copyright © 2020 Linx Technologies

All Rights Reserved

Doc# DS20268-104CON



## X-ON Electronics

Largest Supplier of Electrical and Electronic Components

*Click to view similar products for [RF Connectors / Coaxial Connectors](#) category:*

*Click to view products by [Linx Technologies](#) manufacturer:*

Other Similar products are found below :

[8915-1511-000](#) [89674-0827](#) [6001-7071-019](#) [6002-7051-003](#) [6002-7551-202](#) [6059674-1](#) [619550-1](#) [630059-000](#) [M39030/3-01N](#) [6500-7071-046](#) [6769](#) [CX050L2AQ](#) [7002-1542-011](#) [7004-1512-000](#) [7009-1511-004](#) [7010-1511-000](#) [7029-1511-060](#) [7101-1541-010](#) [7101-1571-002](#) [7105-1521-002](#) [7145-1521-002](#) [7203-1571-003](#) [7209-1511-011](#) [7210-1511-015](#) [7210-1511-019](#) [73137-5015](#) [73216-2241](#) [73404-2300](#) [7405-1521-005](#) [7405-1521-802](#) [7406-1521-005](#) [8527](#) [8547](#) [FS11V](#) [8808-1511-001](#) [9049-9513-000](#) [9074-9513-000](#) [9101-9573-002](#) [910A205F](#) [9130-9573-002](#) [PL11SC-026](#) [PL375-33](#) [PL40-5](#) [PL71-9](#) [PL74C-221](#) [PL75MC-217](#) [PL803-7](#) [980-8666-005](#) [1200690078](#) [1-201144-1](#)