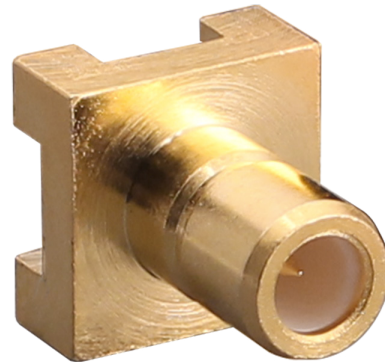


## CONSMB001-SMD-G SMB Jack PCB Surface-Mount Connector

The CONSMB001-SMD-G is an SMB jack PCB surface-mount connector designed for reflow-solder mounting directly to a printed circuit board. Operating from 0 GHz to 12 GHz, the CONSMB001-SMD-G combines superior performance, compact size, and a convenient snap-on mating interface to provide a reliable, easy-to-use connector. Additionally, all Linx connectors meet RoHS lead free standards and are tested to meet requirements for corrosion resistance, vibration, mechanical and thermal shock.



### Features

- 0 to 12 GHz operation
- Gold plating
  - Superior corrosion resistance
- SMB jack (male pin) connection
  - Gold plated brass center contact
- Direct PCB attachment
- Reflow- or hand-solder assembly

### Applications

- LPWA
  - LoRaWAN®, Sigfox®, WiFi HaLow™ (802.11ah)
- Cellular IoT
  - LTE-M (Cat-M1), NB-IoT
- Cellular
  - 5G/4G LTE/3G/2G
- GNSS
  - GPS, Galileo, GLONASS, BeiDou, QZSS
- Industrial/Commercial/Enterprise
- ISM

**Table 1. Electrical Specifications**

<b>Impedance</b>	50 Ω	
<b>Frequency Range</b>	0 to 12 GHz	
<b>Voltage Rating</b>	750 V RMS	
<b>Contact Resistance</b>	Center: ≤ 6.0 mΩ Outer: ≤ 1.0 mΩ	
<b>Select Frequencies</b>	<b>400 MHz to 960 MHz</b>	<b>2.4 GHz</b>
<b>Insertion Loss (dB max)</b>	-0.09	-0.20
<b>VSWR (max)</b>	1.0	1.1

### Ordering Information

Part Number	Description
<b>CONSMB001-SMD-G</b>	SMB jack (male pin) PCB surface-mount connector

Available from Linx Technologies and select distributors and representatives.

Product Dimensions

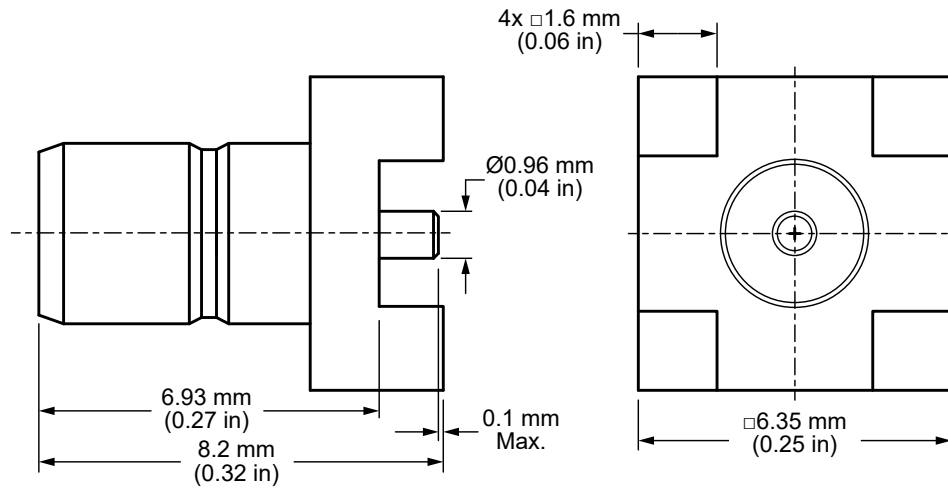


Figure 1. Product Dimensions for the CONSMB001-SMD-G Connector

Table 2. Connector Components

Model	CONSMB001-SMD-G	
Connector Part	Material	Finish
Connector Body	Brass	Gold
Center Contact (male pin)	Brass	Gold
Insulator	PTFE	-

Recommended PCB Footprint

Figure 2 shows the connectors recommended PCB footprint.

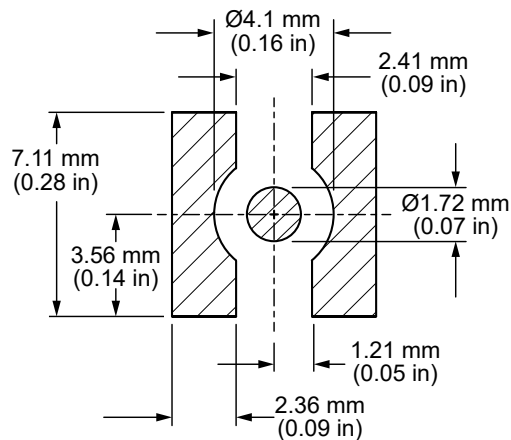


Figure 2. Recommended PCB Footprint Dimensions for the CONSMB001-SMD-G

Connector Performance

Table 3 shows insertion loss and VSWR values for the CONSMB001-SMD-G connector at commonly used frequencies.

Insertion loss is the loss of signal power (gain) resulting from the insertion of a device in a transmission line. VSWR describes how efficiently power is transmitted through the connector. A lower VSWR value indicates better performance at a given frequency.

**Table 3. Insertion Loss and VSWR for the CONSMB001-SMD-G Connector**

Band	Low-Band Cellular/ ISM/LPWA	Midband Cellular/ GNSS	WiFi/ISM	WiFi 6
Frequency Range	400 MHz to 960 MHz	1164 MHz to 5000 MHz	2.4 GHz	5 GHz to 7.125 GHz
Insertion Loss (dB max)	-0.09	-0.35	-0.20	-0.41
VSWR (max)	1.0	1.3	1.1	1.4

**Table 4. Mechanical Specifications**

Model	CONSMB001-SMD-G
Mounting Type	PCB Through Hole
Fastening Type	Snap-on Coupling
Interface in Accordance with	MIL-STD-348A
Connector Durability	500 cycles min.
Weight	0.8 g (0.03 oz)

**Table 5. Environmental Specifications**

MIL-STD, Method, Test Condition	
Corrosion (Salt spray)	MIL-STD-202 Method 101 test condition B
Thermal Shock	MIL-STD-202 Method 107 test condition B
Vibration	MIL-STD-202 Method 204 test condition B
Mechanical Shock	MIL-STD-202 Method 213 test condition I
Temperature Range	-65 °C to +165 °C
Environmental Compliance	RoHS

Reflow Solder Profile

Figure 3 shows the time and temperature data for reflow soldering the connector to a PCB.

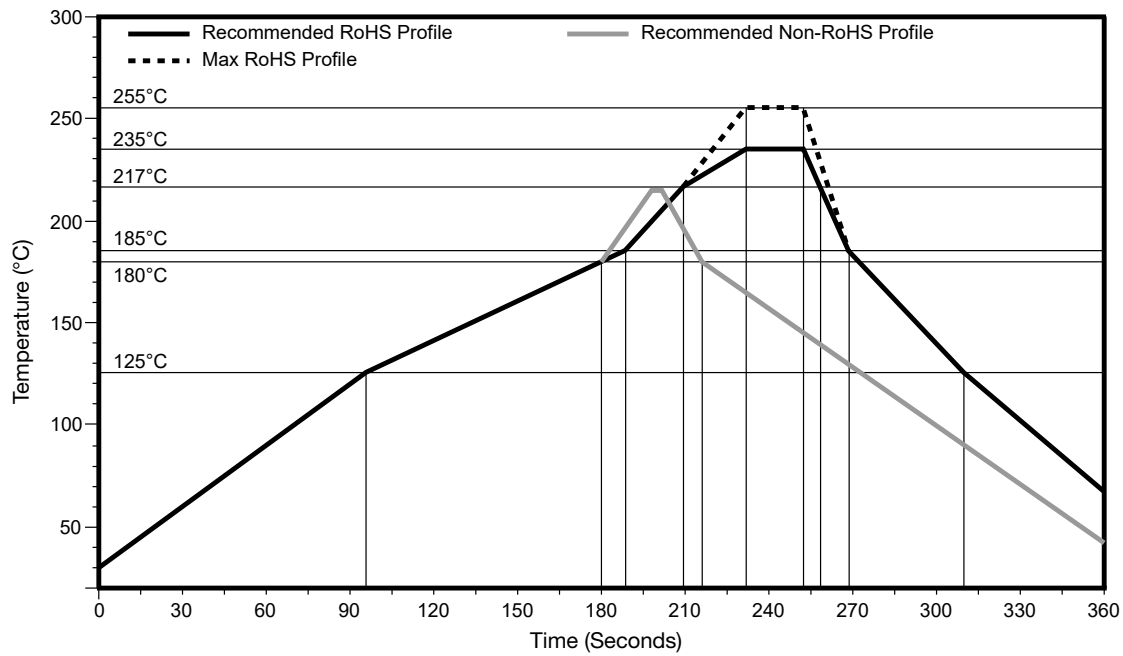


Figure 3. Recommended Reflow Solder Profile

Packaging Information

The CONSMB001-SMD-G connector is placed in sealed trays of 100 pcs. Trays are packaged in cartons of 2500 pcs. Distribution channels may offer alternative packaging options.

### Connector & Adapter Definitions and Useful Formulas

**VSWR** - Voltage Standing Wave Ratio. VSWR is a unitless ratio that describes how efficiently power is transmitted through the connector. A lower VSWR value indicates better performance at a given frequency. VSWR is easily derived from Return Loss.

$$VSWR = \frac{10^{\left[\frac{\text{Return Loss}}{20}\right]} + 1}{10^{\left[\frac{\text{Return Loss}}{20}\right]} - 1}$$

**Insertion Loss** - The loss of signal power (gain) resulting from the insertion of a device in a transmission line. Insertion loss can be derived from the power transmitted to the load before the insertion of the component  $P_T$  and the power transmitted to the load after the insertion of the component  $P_R$ .

$$\text{Insertion Loss (dB)} = 10 \log_{10} \frac{P_T}{P_R}$$

---

**Website:** <http://linxtechnologies.com>  
**Linx Offices:** 159 Ort Lane, Merlin, OR, US 97532  
**Phone:** +1 (541) 471-6256  
**E-MAIL:** [info@linxtechnologies.com](mailto:info@linxtechnologies.com)

---

Linx Technologies reserves the right to make changes to the product(s) or information contained herein without notice. No liability is assumed as a result of their use or application. No rights under any patent accompany the sale of any such product(s) or information.

Wireless Made Simple is a registered trademark of Linx Acquisitions LLC. Other product and brand names may be trademarks or registered trademarks of their respective owners.

Copyright © 2020 Linx Technologies

All Rights Reserved

Doc# DS20339-131CON



## X-ON Electronics

Largest Supplier of Electrical and Electronic Components

*Click to view similar products for [RF Connectors / Coaxial Connectors](#) category:*

*Click to view products by [Linx Technologies](#) manufacturer:*

Other Similar products are found below :

[8915-1511-000](#) [89674-0827](#) [6001-7071-019](#) [6002-7051-003](#) [6002-7551-202](#) [6059674-1](#) [619550-1](#) [630059-000](#) [M39030/3-01N](#) [6500-7071-046](#) [6769](#) [CX050L2AQ](#) [7002-1542-011](#) [7004-1512-000](#) [7009-1511-004](#) [7010-1511-000](#) [7029-1511-060](#) [7101-1541-010](#) [7101-1571-002](#) [7105-1521-002](#) [7145-1521-002](#) [7203-1571-003](#) [7209-1511-011](#) [7210-1511-015](#) [7210-1511-019](#) [73137-5015](#) [73216-2241](#) [73404-2300](#) [7405-1521-005](#) [7405-1521-802](#) [7406-1521-005](#) [8527](#) [8547](#) [FS11V](#) [8808-1511-001](#) [9049-9513-000](#) [9074-9513-000](#) [9101-9573-002](#) [910A205F](#) [9130-9573-002](#) [PL11SC-026](#) [PL375-33](#) [PL40-5](#) [PL71-9](#) [PL74C-221](#) [PL75MC-217](#) [PL803-7](#) [980-8666-005](#) [1200690078](#) [1-201144-1](#)