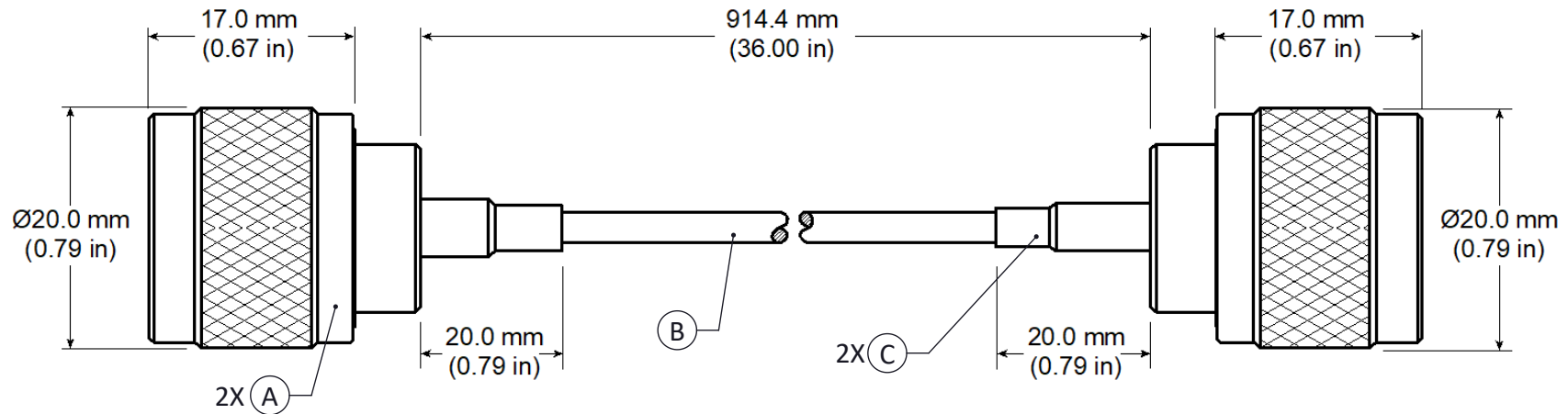


ITEM	QTY	DESCRIPTION	MATERIAL	FINISH
A	2	N MALE CONNECTOR	BRASS	NICKEL
B	AS REQ.	CABLE	RG-58 LOW LOSS	BLACK
C	2	HEAT SHRINK TUBING	POLYOLEFIN	BLACK


REVISIONS			
REV	DESCRIPTION	DATE	APPV
A	INITIAL RELEASE OF LINX INTERNAL DRAWING	27-APR-20	CLL



NOTES: (UNLESS OTHERWISE SPECIFIED)

1. ALL DIMENSIONS ARE IN MILLIMETERS [INCHES].
2. DIMENSIONS APPLY AFTER FINISHING.
3. MANUFACTURE TO BE COMPLIANT WITH EU RoHS DIRECTIVE, USE MATERIALS THAT DO NOT CONTAIN REACH SUBSTANCES OF VERY HIGH CONCERN >1000ppm, AND USE DRC CONFLICT-FREE SOURCED MATERIALS.
4. CONNECTOR TO BE APPLIED IN ACCORDANCE WITH CONNECTOR SUPPLIER RECOMMENDED PROCEDURE.
5. SEE TABLE I FOR ELECTRICAL SPECIFICATIONS. (SHEET 2)
6. SEE TABLE II FOR ENVIRONMENTAL SPECIFICATIONS. (SHEET 2)
7. SEE TABLE III FOR MECHANICAL SPECIFICATIONS. (SHEET 2)

**WARNING:** THIS DRAWING CONTAINS PROPRIETARY INFORMATION THAT IS THE SOLE PROPERTY OF LINX TECHNOLOGIES, AND SHALL BE TREATED AS SUCH. NO DISCLOSURE OR REPRODUCTION OF THIS DOCUMENT IS PERMITTED, IN WHOLE OR IN PART, WITHOUT THE EXPRESS WRITTEN PERMISSION OF LINX TECHNOLOGIES OR ITS DESIGNATED AGENTS.

MATERIAL:	TOLERANCES: 0.50 [.020]-5.00 [.200]=±0.20 [.008] 5.00 [.200]-30.00 [1.200]=±0.40 [.016] 30.0 [1.20]-120.0 [4.75]=±0.60 [0.24] 120.0 [4.75]-315.0 [12.40]=±1.0 [.040]	PROJECTION: 
FINISH:	DRAWN: M. SCHULTE ENGR: D. VARATHARAJAN	DT: 17-APR-20 DT: 24-APR-20

<b>Linx</b>		159 ORT LANE MERLIN, OR 97532
TITLE: <b>CABLE ASSEMBLY, N MALE TO N MALE, RG-58 CBL</b>		
SIZE <b>A</b>	DWG. NO. <b>CSD-NM-914-NM</b>	REV <b>A</b>
SCALE: 2:1	DO NOT SCALE DRAWING	SHEET 1 OF 2

5 TABLE I

Electrical Specifications	
Electrical Data	Detail
Impedance	50 $\Omega$
Frequency Range	0 to 5.8 GHz
VSWR	$\leq 1.35 : 1$
Insertion Loss	$0.53\sqrt{f}$ dB, Typical. f in GHz

6 TABLE II

Environmental Data	Detail
Temperature Range	-40 °C to +85 °C
Environmental Compliance	RoHS

7 TABLE III

Mechanical Data	Detail	
Coaxial Cable	RG-58 Low Loss	
Weight	52.5 g (1.85 oz)	
	Connector A	Connector B
Fastening Type	5/8"-24 Threaded Coupling	5/8"-24 Threaded Coupling
Recommended Torque	1.25 N·m (11 in·lbs)	1.25 N·m (11 in·lbs)
Coupling Nut Retention	100 lbs. min.	100 lbs. min.
Connector Durability	500 cycles min.	500 cycles min.

SIZE	DWG. NO.	REV
<b>A</b>	<b>CSD-NM-914-NM</b>	<b>A</b>
SCALE: 2:1	DO NOT SCALE DRAWING	SHEET 2 OF 2

## X-ON Electronics

Largest Supplier of Electrical and Electronic Components

*Click to view similar products for [RF Cable Assemblies](#) category:*

*Click to view products by [Linx Technologies](#) manufacturer:*

Other Similar products are found below :

[73-6352-10](#) [73-6353-3](#) [73-6364-6](#) [R285001001](#) [R288940004](#) [R288940005](#) [145111-05-12.00](#) [1661-C-24](#) [1801171170914KE](#) [24P104C24J1-012](#) [24P104C24P1-006](#) [24P104C24P1-018](#) [24P204C24J1-003](#) [172-2150-EX](#) [1800920920914PJ](#) [FCB-3030-ALT](#) [21117-046](#) [21117-050](#) [PCX-24-50](#) [24P103C24P2-003](#) [25P203C25P2-003](#) [PTWY-24-78](#) [R284008001](#) [R285001021](#) [R285426000](#) [R288940003](#) [R288940008](#) [RF179-74BJ3-77RP1-0305](#) [4814-BB-24](#) [5260-72](#) [JT2N1-CL1-1F](#) [DLP-COAX1](#) [4814-K-48](#) [115101-09-06.00](#) [CCNTN2-MM-LL335-26](#) [73-6351-25](#) [73-6352-3](#) [73-6353-25](#) [1800920920610PJ](#) [GD0BQ0BQ024.0](#) [1-3636-600-5210](#) [TL8A-11SMA-11SMA-01500-51](#) [R284C0351060](#) [R288940009](#) [R284C0351028](#) [R288940002](#) [9702-1SL-1](#) [PT82NSMA](#) [73-6353-10](#) [R285020301W](#)