

## CSE-SGMR-152-SGMR SMA Right-Angle Plug to SMA Right-Angle Plug Cable Assembly

The CSE-SGMR-152-SGMR cable assembly provides an SMA plug (male pin) to SMA plug (male pin) connection with 6 in. of RG-316/U coaxial cable.

Operating from 0 Hz to 3 GHz, the CSE-SGMR-152-SGMR cable assembly combines superior performance, compact size, and a convenient threaded mating interface to provide a reliable, easy-to-use cable assembly. Additionally, all Linx coaxial cables and connectors meet RoHS lead free standards and are tested to meet requirements for corrosion resistance, vibration, mechanical and thermal shock.



### Features

- 0 Hz to 3 GHz operation
- SMA right-angle plug (male pin)
  - Gold plated brass construction
  - Right-angle design
- RG-316/U 50 Ω coaxial cable

### Applications

- LPWA
- Cellular IoT – LTE-M (Cat-M1), NB-IoT
- Cellular – 5G/4G LTE/3G/2G
- PC, LAN
- ISM – Bluetooth®, ZigBee®
- GNSS – GPS, Galileo, GLONASS, BeiDou, QZSS
- Automotive, Industrial, Commercial, Enterprise

**Table 1. Electrical Specifications**

Parameter	Value
Insertion Loss (dB max)	0.9
VSWR (max)	1.7
Impedance	50 Ω
Insulation Resistance	500 MΩ min.

### Ordering Information

Part Number	Description
<b>CSE-SGMR-152-SGMR</b>	SMA right-angle plug (male pin) to SMA right-angle plug (male pin) on 152 mm (6.0 in) of RG-316/U coaxial cable

Available from Linx Technologies and select distributors and representatives.

Product Dimensions

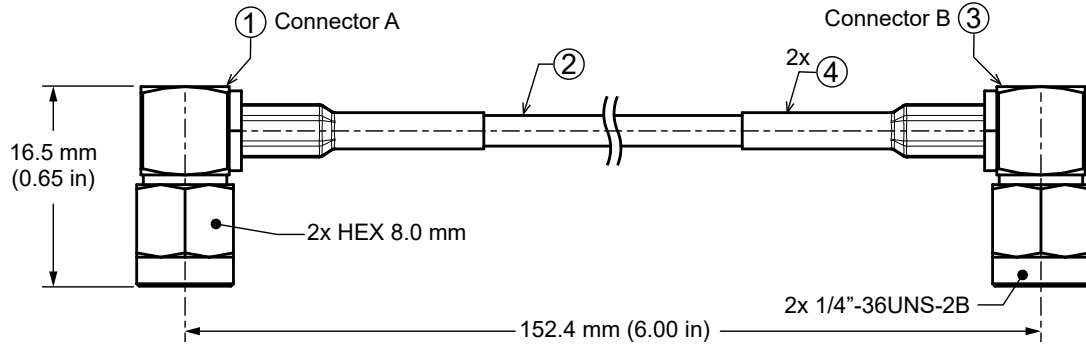


Figure 1. Product Dimensions for the CSE-SGMR-152-SGMR Cable Assembly

Table 2. Cable Assembly Components

Item #	Description	Material	Finish
1	Connector, SMA plug (male pin), right angle	Brass	Gold
2	RG-316/U coaxial cable	RG-316/U	Black
3	Connector, SMA plug (male pin), right angle	Brass	Gold
4	Heat Shrink Tubing	PTFE	Black

Table 3. Cable Assembly Mechanical Specifications

Parameter	Connector A SMA Plug (male pin), right angle	Connector B SMA Plug (male pin), right angle
Fastening Type	1/4"-36UNS-2B threaded coupling	1/4"-36UNS-2B threaded coupling
Recommended Torque	0.9 N m (8.0 in lbs)	0.9 N m (8.0 in lbs)
Coupling Nut Retention	60 lbs. min.	60 lbs. min.
Connector Durability	500 cycles min.	500 cycles min.
Operating Temperature Range	-40 °C to +120 °C	
Weight	12.8 g (0.45 oz)	

Coaxial Cable Specifications

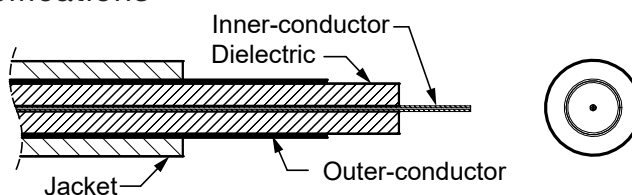


Figure 2. Coaxial Cable Cutaway Diagram

Table 4. Coaxial Cable Material Specifications for RG-316/U

RG-316/U Coax	Material	Dimensions
Inner-Conductor	Tinned copper clad steel, 7 strand, 0.175 mm/conductor	Ø0.53 mm (0.020 in)
Dielectric	FEP, Clear	Ø1.53 mm (0.06 in)
Outer-Conductor	Silver plated copper braid, Coverage 95%	Ø1.71 mm (0.067 in)
Jacket	FEP, natural	Ø2.53 mm (0.100 in)

Table 5. Coaxial Cable Electrical and Physical Specifications for RG-316/U

Parameter	Value				
Rated Temp Voltage	105 °C 30 V				
Conductor Resistance	302 Ω/km 20 °C max.				
Insulation Resistance	3000 M Ω-km min.				
Dielectric Strength	AC 1000 V/Minute				
Spark Test	5.0 kV				
Insulation	Unaged	Tensile Strength	2500 psi min. (1.76 kg/mm <sup>2</sup> )		
		Elongation	200% min.		
	Aged	Tensile Strength	Unaged min. 75% (168 hrs x 232 °C)		
		Elongation	Unaged min. 75% (168 hrs x 232 °C)		
Jacket	Unaged	Tensile Strength	2500 psi min. (1.76 kg/mm <sup>2</sup> )		
		Elongation	200% min.		
	Aged	Tensile Strength	Unaged min. 75% (168 hrs x 232 °C)		
		Elongation	Unaged min. 75% (168 hrs x 232 °C)		
Nominal Impedance	50 ± 3 Ω				
Nominal Capacitance	95.8 ± 3 pF/m				
Nominal Velocity of Propagation	69.5%				
VSWR (0 to 6 GHz)	≤ 1.3				
Attenuation (dB/1M)	2.0 GHz 2.80	2.4 GHz 3.10	2.5 GHz 3.15	5.0 GHz 4.85	6.0 GHz 5.20
Minimum Inside Bend radius	12.7 mm (0.5 in)				

### Insertion Loss

Figure 3 shows the Insertion Loss for the CSE-SGMR-152-SGMR cable assembly. Insertion loss is the loss of signal power (gain) resulting from the insertion of a device in a transmission line.

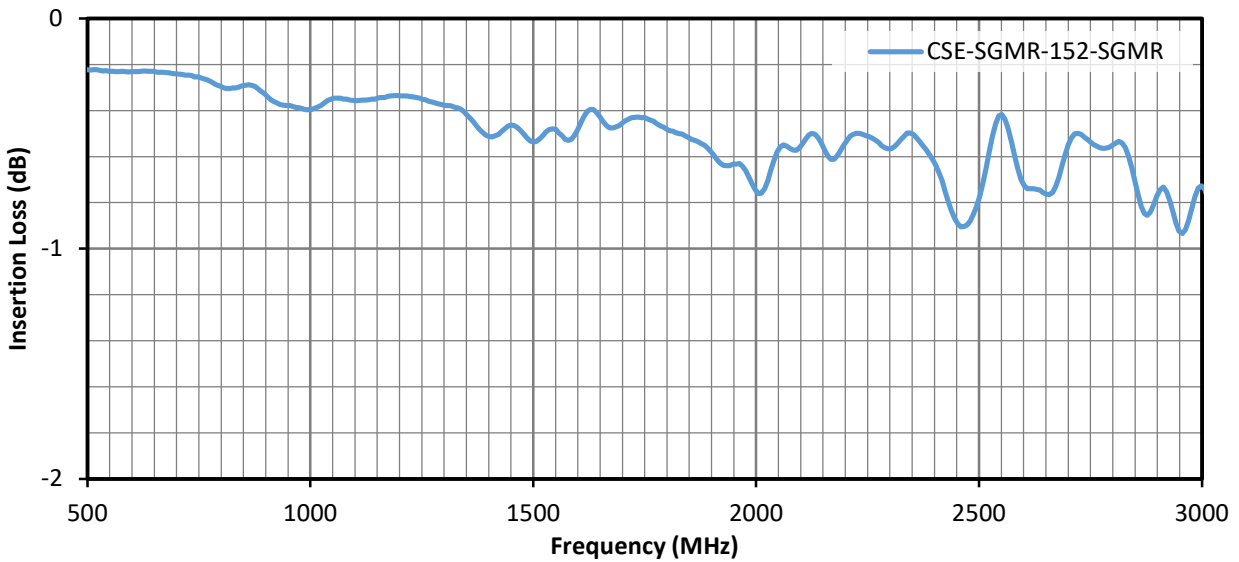


Figure 3. Insertion Loss for the CSE-SGMR-152-SGMR Cable Assembly

### VSWR

Figure 4 provides the voltage standing wave ratio (VSWR) across the cable assembly's bandwidth for the CSE-SGMR-152-SGMR cable assembly. VSWR describes how efficiently power is transmitted through the cable assembly. A lower VSWR value indicates better performance at a given frequency.

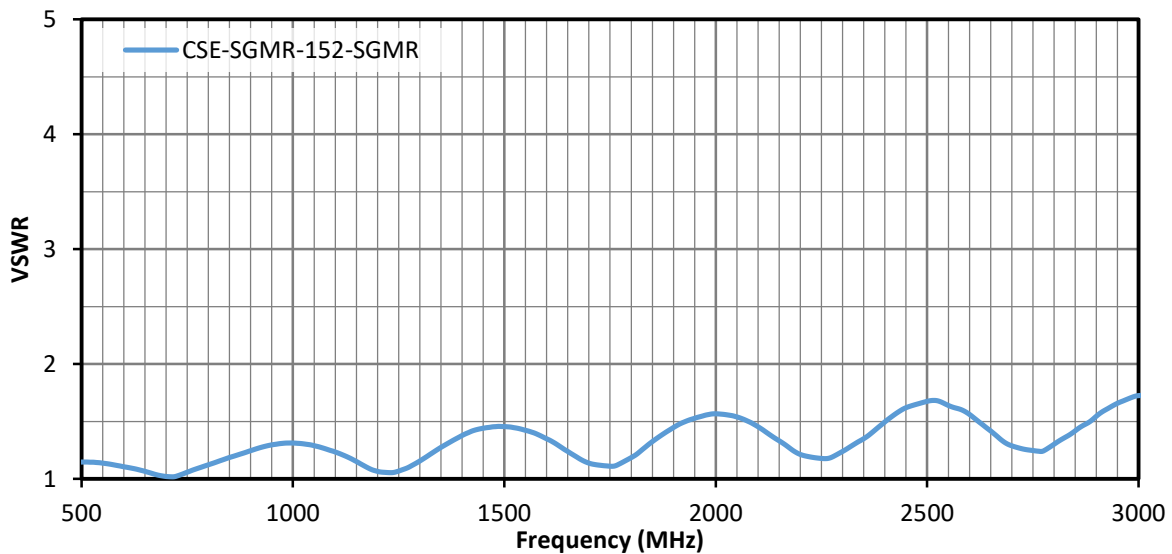


Figure 4. VSWR for the CSE-SGMR-152-SGMR Cable Assembly

### Packaging Information

The CSE-SGMR-152-SGMR cable assembly is packaged in a clear plastic bag, in quantities of 50. Distribution channels may offer alternative packaging options.

### Cable Assembly Definitions and Useful Formulas

**VSWR** - Voltage Standing Wave Ratio. VSWR is a unitless ratio that describes how efficiently power is transmitted through the cable assembly. A lower VSWR value indicates better performance at a given frequency. VSWR is easily derived from Return Loss.

$$VSWR = \frac{10^{\left[\frac{\text{Return Loss}}{20}\right]} + 1}{10^{\left[\frac{\text{Return Loss}}{20}\right]} - 1}$$

**Insertion Loss** - The loss of signal power (gain) resulting from the insertion of a device in a transmission line. Insertion loss can be derived from the power transmitted to the load before the insertion of the component  $P_T$  and the power transmitted to the load after the insertion of the component  $P_R$ .

$$\text{Insertion Loss (dB)} = 10 \log_{10} \frac{P_T}{P_R}$$

---

**Website:** <http://linxtechnologies.com>  
**Linx Offices:** 159 Ort Lane, Merlin, OR, US 97532  
**Phone:** +1 (541) 471-6256  
**E-MAIL:** [info@linxtechnologies.com](mailto:info@linxtechnologies.com)

---

Linx Technologies reserves the right to make changes to the product(s) or information contained herein without notice. No liability is assumed as a result of their use or application. No rights under any patent accompany the sale of any such product(s) or information.

Wireless Made Simple is a registered trademark of Linx Acquisitions LLC. Other product and brand names may be trademarks or registered trademarks of their respective owners.

Copyright © 2022 Linx Technologies

All Rights Reserved

Doc# DS22160-238CON



## X-ON Electronics

Largest Supplier of Electrical and Electronic Components

*Click to view similar products for [RF Cable Assemblies](#) category:*

*Click to view products by [Linx Technologies](#) manufacturer:*

Other Similar products are found below :

[73-6352-10](#) [73-6353-3](#) [73-6364-6](#) [MDM-21SH011F](#) [R285001001](#) [R288940004](#) [145111-05-12.00](#) [1661-C-24](#) [24P104C24J1-012](#)  
[24P104C24P1-018](#) [24P204C24J1-003](#) [172-2150-EX](#) [FCB-3030-ALT](#) [21117-046](#) [21117-050](#) [PCX-24-50](#) [24P103C24P2-003](#) [PTWY-24-78](#)  
[R285001021](#) [R285426000](#) [R288940003](#) [R288940008](#) [R288940034](#) [MDM-21PH006P-A174](#) [4814-BB-24](#) [5260-72](#) [DLP-COAX1](#) [4814-K-48](#)  
[115101-09-06.00](#) [MXHT83QE3000](#) [73-6351-25](#) [73-6352-3](#) [73-6353-25](#) [GD0BQ0BQ024.0](#) [1-3636-600-5210](#) [R284C0351060](#) [R288940009](#)  
[R284C0351028](#) [R288940002](#) [MDM-15SH006A](#) [73-6353-10](#) [R285020301W](#) [BNC TO SMA Cable](#) [MIKROE-274](#) [Minibend-10](#) [Microbend](#)  
[MTR-11](#) [PT815NN](#) [MF53/1x8A\\_21MXP/11SK/305](#) [Minibend-3](#) [Minibend-6.5](#)