

OTX-ACC Data Sheet



Product Description



Minimize the risk of damage and give your OEM transmitter a distinctive product look. This durable skin provides enhanced protection from scratches, bumps, and minor falls for any Linx OEM compact or long-range handheld transmitter. The skin is a perfect way to enhance the perceived value of your OEM product and better protect transmitters in challenging consumer and industrial environments. The included belt clip accommodates the extra thickness of the skin while providing an attachment point for the optional leash. The leash allows for convenient carrying alternatives or attachment to fixed equipment. The skin and belt clip may be ordered as a factory installed option or separately as an easily installed kit.

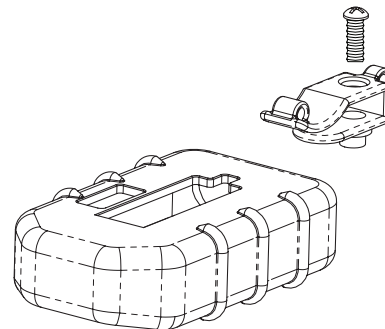
Features

- Cost-effective
- Comfortable, ergonomic design
- Provides a rugged, cosmetically attractive appearance
- Rubberized exterior provides a secure grip
- Enhanced protection from scratches and minor bumps and falls
- Easy access opening for address selection or programming
- Fits OTX-LR8, OTX-CP8, CMD-HHLR and CMD-HHCP models
- Optional leash for convenient carrying or tethered equipment attachment
- Standard colors are gray and black
- Custom colors available for high volume orders

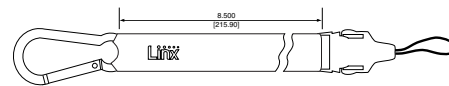
Ordering Information

OTX-ACC-KIT-HH-OEM-x (factory installed)
OTX-ACC-KIT-HH-xxx (case and belt clip for retro-fit)
OTX-ACC-KIT-LSH-8.5 (optional 8.5" leash with belt clip cord)
x = G (gray); B (black) | xxx = GRY (gray); BLK (black)

Product Components



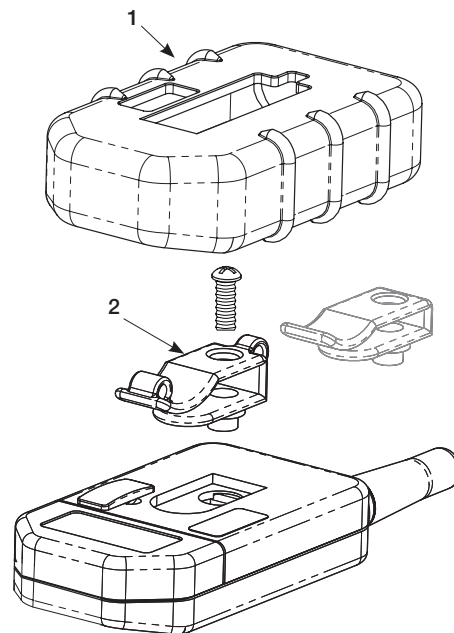
Case and belt clip (OTX-ACC-KIT-HH-x)



Optional leash (OTX-ACC-LSH-8.5)

Installation Instructions

1. Remove belt clip from CMD or OTX Handheld.
2. Install OTX-ACC-BOOT-HH-xxx (1) over Handheld.
3. Install OTX-ACC-CLP-HH-xxx (2) using screw retained from Step 1. Torque screw to 4.0 IN.-LB (0.45 N-m). Avoid overtightening of screw and causing deformation at the side of the enclosure.



X-ON Electronics

Largest Supplier of Electrical and Electronic Components

Click to view similar products for [Instrument Protection and Storage](#) category:

Click to view products by [Linx Technologies](#) manufacturer:

Other Similar products are found below :

[1050](#) [C1620](#) [T130129ACC](#) [1175D](#) [0590 0017](#) [0590 0018](#) [FLUKE C116](#) [FLUKE C1600](#) [FLUKE C25](#) [FLUKE C280](#) [FLUKE C90](#) [FLUKE H15](#) [TA11](#) [LC 33](#) [783537-01](#) [783586-01](#) [783569-01](#) [P01298074](#) [FLUKE C789](#) [AX-58P1](#) [AX-P1](#) [57-00006](#) [FLUKE C150](#) [FLUKE C33](#) [FLUKE C50](#) [CC-7000](#) [APPA AC-M1](#) [RK02](#) [409992](#) [CA900](#) [TA13](#) [TA15](#) [C101](#) [SCC120B](#) [FLUKE H5](#) [FLUKEPACK30](#) [N2738A](#) [69401](#) [TA10](#) [C33](#) [N6457A](#) [C43](#) [C35](#) [C510](#) [C115](#) [CXT1000](#) [C50](#) [TA12](#) [C33](#) [LC-29B](#)