

**Surface Mount Load Dump
Transient Voltage Suppressors**

REVERSE VOLTAGE - 10~43 Volts
PEAK PULSE POWER - 6600 Watt

FEATURES

- High current capability
- Low Forward Voltage Drop
- Low reverse current
- Low thermal resistance
- Excellent high temperature stability
- Low power loss and high efficiency
- High forward surge capability
- Meet ISO7637-2 and ISO16750-2 surge specification (varied by test condition)
- Meet MSL level 1, per J-STD-020, LF maximum peak of 260 °C
- AEC-Q101 qualified
- PPAP capable

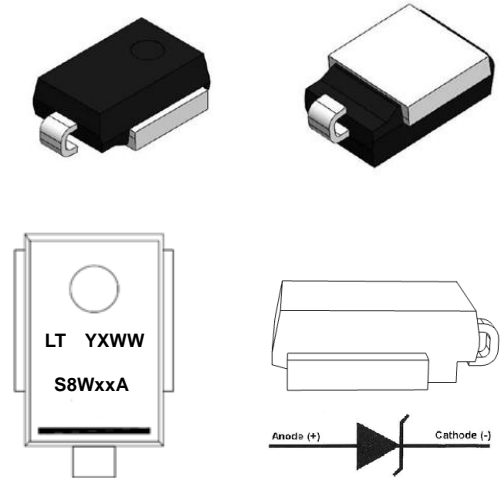
APPLICATION

- High peak power
- High-temperature
- Clamping diode
- Load switching and lighting
- Use in sensitive electronics protection against voltage transients induced by inductive automotive ECU module, especially for automotive load dump protection application

MECHANICAL DATA

- **Case:** DO-218 outline plastic package
- **Terminals:** Matte tin plated, solderable per MIL-STD-750, Method 2026, J-STD-002 and JESD 22-B102
- Molding Compound Flammability Rating:UL94-0
- High temperature soldering guaranteed: 260°C/10second
- **Polarity:** Heatsink is anode
- Corresponds to taping packages. (700PCS/Reel)

DO-218



Primary Characteristics

VWM	10 V to 43 V
VBR	11.1 V to 52.8 V
PPPM (10 x 1000 uS)	6600 W
PPPM (10 x 10 000 uS)	5200 W
IFSM	700 A
Polarity	Uni-directional
Diode variation	Single

Maximum Ratings (TA = 25 °C unless otherwise noted)				
Parameter		Symbol	Value	Units
Peak pulse power dissipation	10/1000 μ s waveform	PPPM	6600	W
	10/10 000 μ s waveform		5200	
Peak forward surge current 8.3 ms single half sine-wave		IFSM	700	A
Operating junction and storage temperature range		TJ, TSTG	-55 to +175	°C

Electrical Characteristics (TA = 25 °C unless otherwise noted)								
Part Number	Breakdown Voltage V _{BR} (V)		Test Current I _T (mA)	Stand-OFF Voltage V _{WM} (V)	Maximum Reverse Leakage at V _{WM} I _D (uA)	Maximum Leakage at V _{WM} T _J = 175 °C I _D (uA)	Max. Peak Pulse Current at 10/1000 us Waveform (A)	Maximum Clamping Voltage at I _{PPM} V _C (V)
	Min.	Max.						
ALS8W10A	11.1	12.3	5.0	10.0	15	250	388	17.0
ALS8W11A	12.2	13.5	5.0	11.0	10	150	363	18.2
ALS8W12A	13.3	14.7	5.0	12.0	10	150	332	19.9
ALS8W13A	14.4	15.9	5.0	13.0	10	150	307	21.5
ALS8W14A	15.6	17.2	5.0	14.0	10	150	284	23.2
ALS8W15A	16.7	18.5	5.0	15.0	10	150	270	24.4
ALS8W16A	17.8	19.7	5.0	16.0	10	150	254	26.0
ALS8W17A	18.9	20.9	5.0	17.0	10	150	239	27.6
ALS8W18A	20.0	22.1	5.0	18.0	10	150	226	29.2
ALS8W20A	22.2	24.5	5.0	20.0	10	150	204	32.4
ALS8W22A	24.4	26.9	5.0	22.0	10	150	186	35.5
ALS8W24A	26.7	29.5	5.0	24.0	10	150	170	38.9
ALS8W26A	28.9	31.9	5.0	26.0	10	150	157	42.1
ALS8W28A	31.1	34.4	5.0	28.0	10	150	145	45.4
ALS8W30A	33.3	36.8	5.0	30.0	10	150	136	48.4
ALS8W33A	36.7	40.6	5.0	33.0	10	150	124	53.3
*ALM8W36A	40.0	44.2	5.0	36.0	10	150	130	58.1
ALS8W40A	44.4	49.1	5.0	40.0	10	150	102	64.5
ALS8W43A	47.8	52.8	5.0	43.0	10	150	95.1	69.4

Note: 1. For all types maximum VF = 1.8 V at IF = 100 A measured on 8.3 ms single half sine-wave.

2. For "*" P_{PPM} can be up to 7500W.

RATING AND CHARACTERISTIC CURVES ALS8WxxA Series

FIG.1- Power Derating Curve

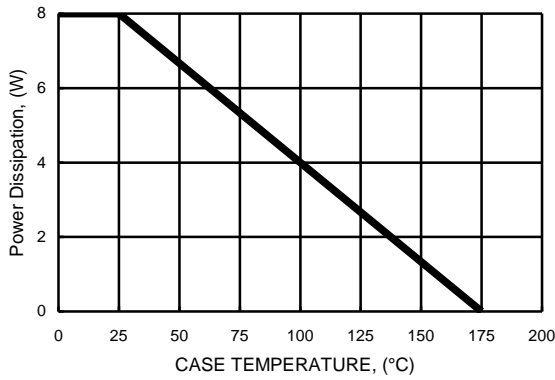


FIG.2- Load Dump Power Characteristics
(10ms Exponential Waveform)

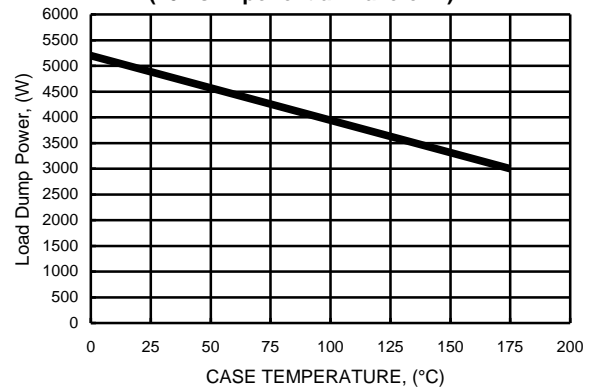


Fig.3 - Pulse Waveform

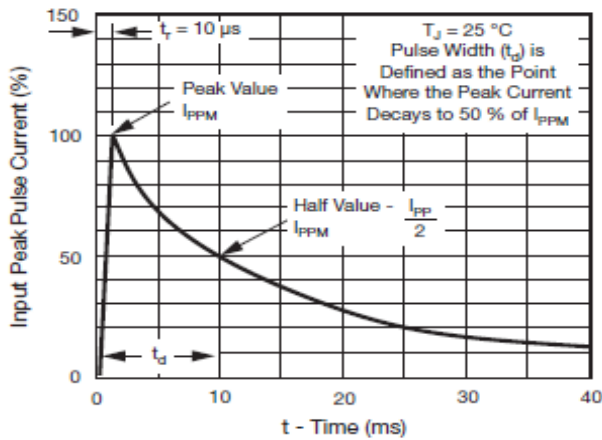


FIG.4- Reverse Power Capability

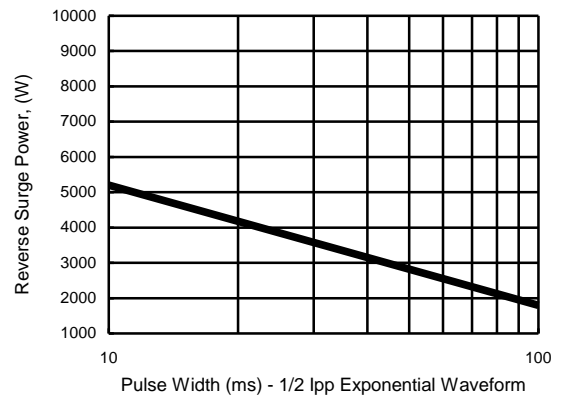


FIG.5- Typical Transient Thermal Impedance

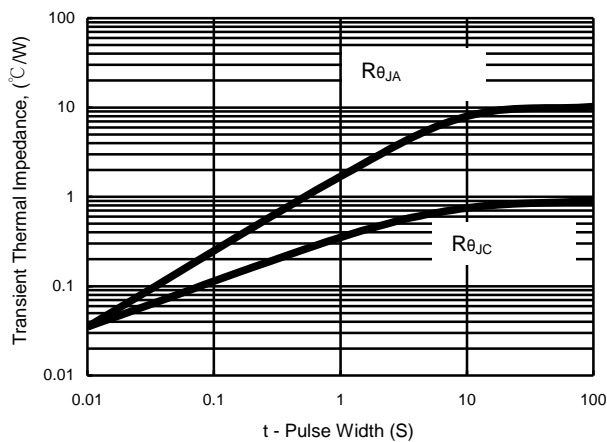
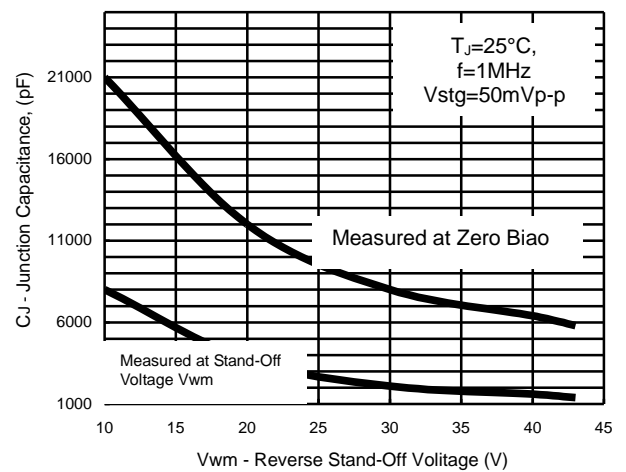
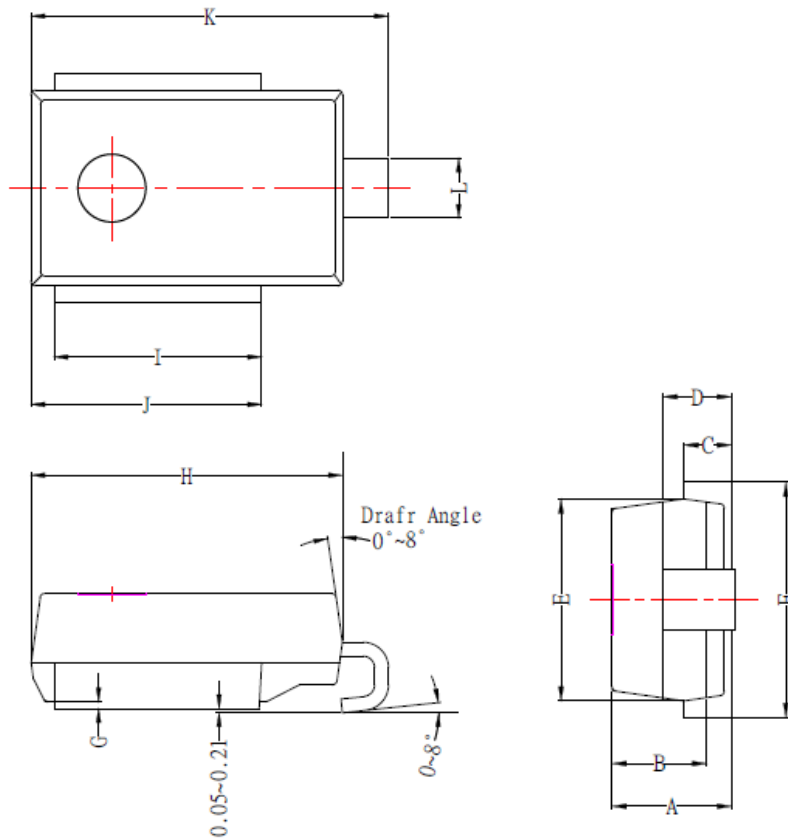


FIG.6- Typical Junction Capacitance

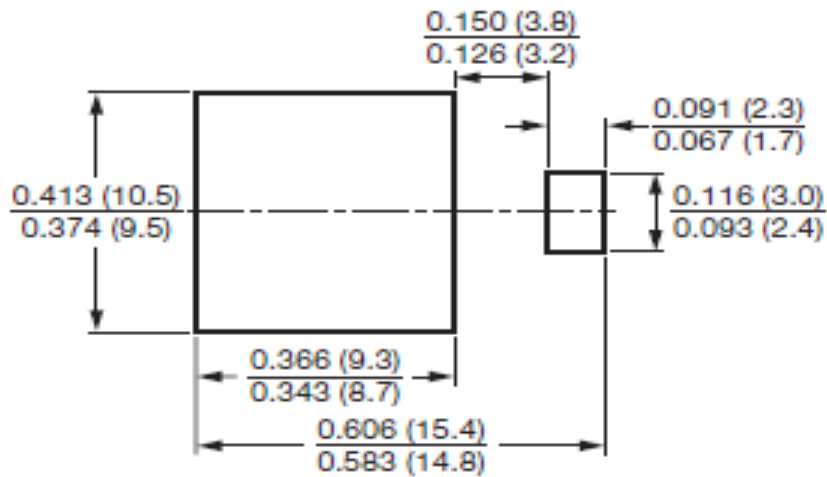


Package Dimension :



D0-218			
DIM.	MIN.	TYP.	MAX.
A	4.75	5.00	5.25
B	3.66	3.96	4.26
C	1.80	2.00	2.20
D	2.58	2.88	3.18
E	8.20	8.50	8.80
F	9.50	—	10.50
G	—	0.30	—
H	13.20	13.50	13.80
I	8.70	9.00	9.30
J	9.70	10.00	10.25
K	15.00	15.50	16.00
L	2.30	—	3.00
All Dimension in millimeter			

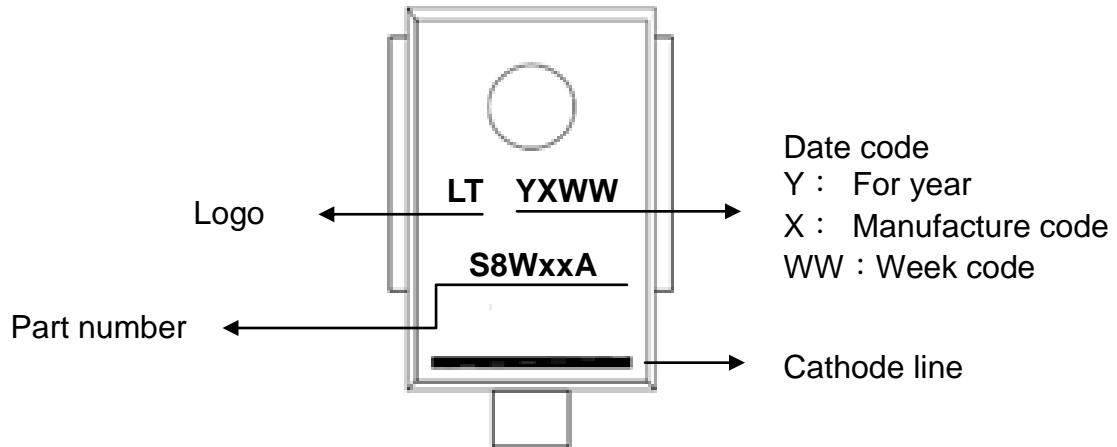
Soldering Pad Layout :



MARKING AND PACKAGING INFORMATION
ALSW8WxxA Series



Marking Information :



Packaging Information :

DEVICE	REEL DIA.	Q'TY/REEL	REEL/BOX	Q'TY/BOX	BOX/CORTON	Q'TY/CORTON	BOX SIZE	CARTON SIZE
	(INCH)	(PCS)	(REEL)	(PCS)	(BOX)	(PCS)	(mm)	(mm)
ALS8WxxA	13	700	1	700	7	4900	345*355*43	355*346*376

Important Notice and Disclaimer

LSC reserves the right to make changes to this document and its products and specifications at any time without notice. Customers should obtain and confirm the latest product information and specifications before final design, purchase or use.

LSC makes no warranty, representation or guarantee regarding the suitability of its products for any particular purpose, nor does LSC assume any liability for application assistance or customer product design. LSC does not warrant or accept any liability with products which are purchased or used for any unintended or unauthorized application.

No license is granted by implication or otherwise under any intellectual property rights of LSC.

LSC products are not authorized for use as critical components in life support devices or systems without express written approval of LSC.

X-ON Electronics

Largest Supplier of Electrical and Electronic Components

Click to view similar products for [ESD Suppressors / TVS Diodes](#) category:

Click to view products by [Lite-On](#) manufacturer:

Other Similar products are found below :

[NTE4902](#) [P4SMAJ15A](#) [P4SMAJ26A](#) [SMAJ400CA-TP](#) [TGL34-47CA](#) [ESDAULC45-1BF4](#) [SM1605E3/TR13](#) [SMF20A-TP](#) [P4SMAJ12A](#)
[CPDUR24V-HF](#) [CPDQC5V0USP-HF](#) [CPDQC5V0-HF](#) [MPLAD30KP280A](#) [MPLAD30KP45CAE3](#) [MMBZ27VCLQ-7-F](#) [MMAD1108/TR13](#)
[MPLAD30KP24A](#) [MPLAD30KP30CAE3](#) [ACPDQC5V0R-HF](#) [DFLT170A-7](#) [NTE4900](#) [NTE4926](#) [NTE4938](#) [JANTX1N6144A](#)
[JANTX1N6057A](#) [SMF22A-TP](#) [SMF12A-TP](#) [SLVU2.8-TP](#) [SMLJ6.5CA-TP](#) [SMAJ6.5CA-TP](#) [MMAD1108E3/TR13](#) [JANTX1N6160A](#)
[D5V0M1U2LP3-7](#) [SMAJ400A-TP](#) [AOZ8811DT-03](#) [AOZ8831DI-05](#) [AOZ8831DT-03](#) [SMAJ188CA](#) [3SMC33CA BK](#) [CPDQC3V3C-HF](#)
[CPDQC12VE-HF](#) [GRPADATAJANTX1N6041A](#) [MPLAD30KP170CA](#) [82357120100](#) [5.0SMLJ15CA-TP](#) [5KP18A-TP](#) [P6KE8.2A-TP](#)
[MPLAD30KP43CAE3](#) [SMAJ43A-TP](#) [D26V0H1U2LP16-7](#)