



Photointerrupter Product Data Sheet

LTH-1550-01

Spec No.: DS-55-94-0001

Effective Date: 04/07/2000

Revision: A

LITE-ON DCC

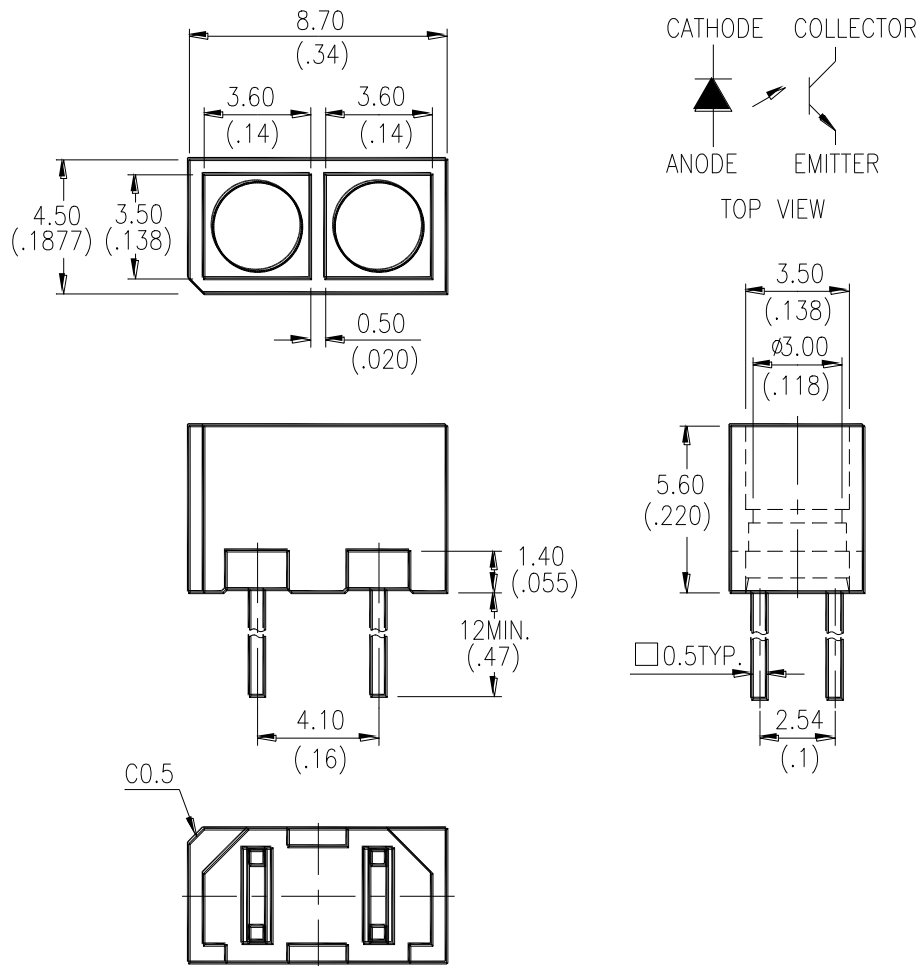
RELEASE

BNS-OD-FC001/A4

FEATURES

- * NON-CONTACT SWITCHING.
- * FOR DIRECT PC BOARD OR DUAL-IN-LINE SOCKET MOUNTING.
- * FAST SWITCHING SPEED.

PACKAGE DIMENSIONS



NOTES:

1. All dimensions are in millimeters (inches).
2. Tolerance is $\pm 0.25\text{mm} (.010\text{'})$ unless otherwise noted.
3. Lead spacing is measured where the leads emerge from the package.

ABSOLUTE MAXIMUM RATINGS AT TA=25°C

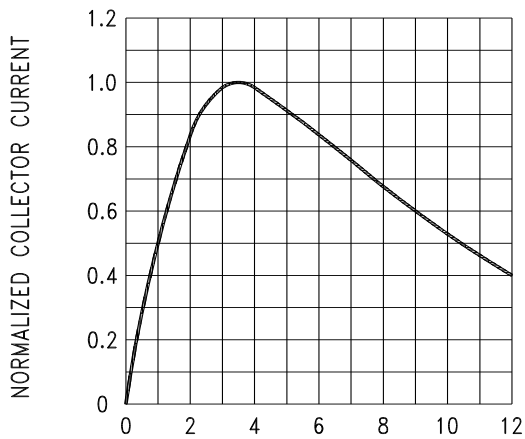
PARAMETER	SYMBOL	MAXIMUM RATING	UNIT
INPUT DIODE			
Power Dissipation	P_D	90	mW
Peak Forward Current (300 pps , 10 μ S pulse)	I_{CP}	1	A
Continuous Forward Current	I_F	60	mA
Reverse Voltage	V_R	5	V
OUTPUT PHOTOTRANSISTOR			
Power Dissipation	P_C	100	mW
Collector-Emitter Voltage	V_{CEO}	30	V
Emitter-Collector Voltage	V_{ECO}	5	V
Collector Current	I_C	20	mA
Operating Temperature Range	T_{opr}	-25°C to + 85°C	
Storage Temperature Range	T_{stg}	-40°C to + 100°C	
Lead Soldering Temperature [1.6mm (.063") Form Case]	T_S	260°C for 5 Seconds	

ELECTRICAL OPTICAL CHARACTERISTICS AT TA=25°C

PARAMETER	SYMBOL	MIN.	TYP.	MAX.	UNIT	TEST CONDITION	Bin No.
INPUT DIODE							
Forward Voltage	V_F		1.2	1.6	V	$I_F = 20\text{mA}$	
Reverse Current	I_R			100	μA	$V_R=5\text{V}$	
OUTPUT PHOTOTRANSISTOR							
Collector-Emitter Dark Current	I_{CEO}			100	nA	$V_{CE}=10\text{V}$	
COUPLER							
Collector-Emitter Saturation Voltage	$V_{CE(SAT)}$			0.4	V	$I_C=0.2\text{mA}$ $I_F=20\text{mA}$	
On State Collector Current	$I_{C(ON)}$	200		400	μA	$V_{CE}=5\text{V}$ $I_F=20\text{mA}$ $d=3.5\text{mm}$ (90% Reflective White Paper)	BIN A
		300		600			BIN B
		500		1000			BIN C
		800		1600			BIN D

TYPICAL ELECTRICAL / OPTICAL CHARACTERISTICS CURVES

(25°C Ambient Temperature Unless Otherwise Noted)



d —DISTANCE TO REFLECTIVE SURFACE—millimeter

Fig.1 NORMALIZED COLLECTOR CURRENT VS. OBJECT DISTANCE

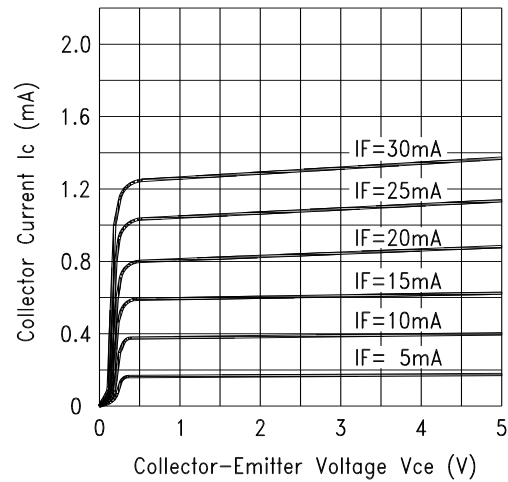


Fig.2 COLLECTOR CURRENT VS. COLLECTOR VOLTAGE

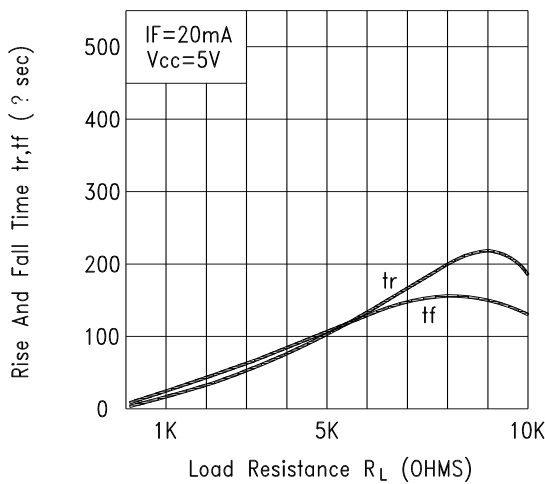


Fig.3 RISE AND FALL TIME VS. LOAD RESISTANCE

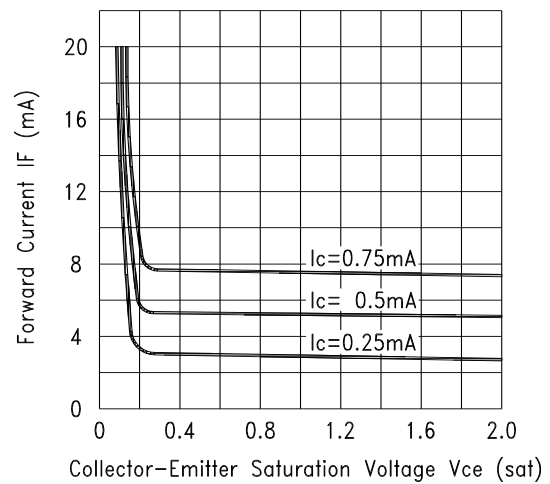


Fig.4 FORWARD CURRENT VS. Collector-Emitter Saturation Voltage

X-ON Electronics

Largest Supplier of Electrical and Electronic Components

Click to view similar products for [Optical Switches, Reflective, Phototransistor Output](#) *category:*

Click to view products by [Lite-On](#) *manufacturer:*

Other Similar products are found below :

[LTH-1650-01](#) [HOA1180-106](#) [NJL5303R-TE1](#) [ITR8307/L24/TR8](#) [RPR-359F](#) [OPR5005](#) [EE-SF5-B](#) [QRD1114](#) [ITR8307](#) [ITR-20001T](#) [ITR-20002](#) [ITR-8307/TR8](#) [ITR9606-F](#) [HOA0708-001](#) [HOA0709-001](#) [HOA0709-011](#) [HOA1180-001](#) [HOA1180-002](#) [HOA1397-001](#) [HOA1406-003](#) [HOA2498-002](#) [LTH-209-01](#) [NJL5501R-TE1](#) [NJL5902R-2-TE1](#) [EE-SB5](#) [EE-SB5-B](#) [EE-SF5](#) [EE-SPY302](#) [EE-SPY311](#) [EE-SPY401](#) [EE-SPY402](#) [EE-SPY411](#) [EE-SPY412](#) [EE-SPZ301A](#) [EE-SPZ401A](#) [EESB5MW12](#) [EE-SY110](#) [EE-SY113](#) [EE-SY169](#) [EE-SY169A](#) [EE-SY171](#) [EE-SY190](#) [EE-SY199](#) [EE-SY671](#) [EE-SY672](#) [QRD1113](#) [QRE1113](#) [QRE1113GR](#) [SFH 9206](#) [RPI-1035](#)