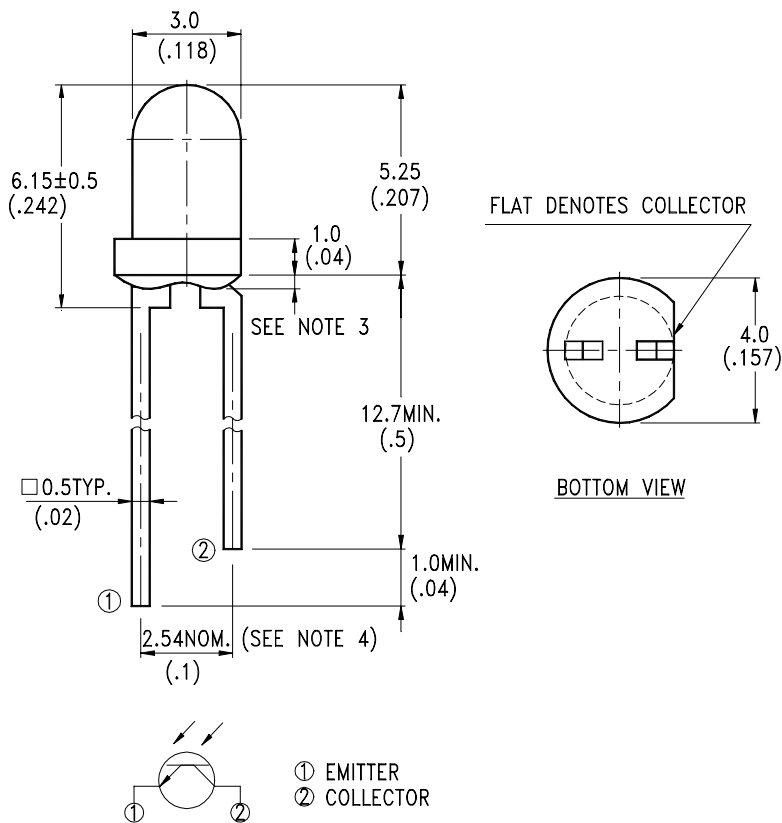


FEATURES

- * WIDE RANGE OF COLLECTOR CURRENT
- * LENSED FOR HIGH SENSITIVITY
- * LOW COST PLASTIC PACKAGE
- * E-SPECIAL DARK PLASTIC PACKAGE THAT CUT THE VISIBLE LIGHT AND SUITABLE FOR THE DETECTORS OF INFRARED APPLICATIONS

PACKAGE DIMENSIONS



NOTES:

1. All dimensions are in millimeters (inches).
2. Tolerance is $\pm 0.25\text{mm}(.010\text{'})$ unless otherwise noted.
3. Protruded resin under flange is 1.5mm(.059") max.
4. Lead spacing is measured where the leads emerge from the package.
5. Specifications are subject to change without notice for performance improvement.



ABSOLUTE MAXIMUM RATINGS AT T_A=25°C

| PARAMETER | MAXIMUM RATING | UNIT |
|--|---------------------|------|
| Power Dissipation | 100 | mW |
| Collector-Emitter Voltage | 30 | V |
| Emitter-Collector Voltage | 5 | V |
| Operating Temperature Range | -40°C to + 85°C | |
| Storage Temperature Range | -55°C to + 100°C | |
| Lead Soldering Temperature [1.6mm(.063") From Body] | 260°C for 5 Seconds | |



ELECTRICAL / OPTICAL CHARACTERISTICS AT T_A=25°C

| PARAMETER | SYMBOL | MIN. | TYP. | MAX. | UNIT | TEST CONDITION | BIN NO. |
|--------------------------------------|----------------------|------|------|------|------|--|---------|
| Collector-Emitter Breakdown Voltage | V _{(BR)CEO} | 30 | | | V | I _C = 1mA Ee = 0mW/cm ² | |
| Emitter-Collector Breakdown Voltage | V _{(BR)ECO} | 5 | | | V | I _E = 100 μA Ee = 0mW/cm ² | |
| Collector Emitter Saturation Voltage | V _{CE(SAT)} | | | 0.4 | V | I _C = 0.5mA Ee = 1mW/cm ² | |
| Rise Time | Tr | | 10 | | μs | V _{CC} = 5V I _C = 1mA R _L = 1KΩ | |
| Fall Time | Tf | | 10 | | μs | | |
| Collector Dark Current | I _{CEO} | | | 100 | nA | V _{CE} = 10V Ee = 0mW/cm ² | |
| On State Collector Current | I _{C(ON)} | 0.4 | | 1.2 | mA | V _{CE} = 5V Ee = 1mW/cm ² λ = 940nm | BIN B |
| | | 0.8 | | 2.4 | | | BIN C |
| | | 1.6 | | 4.8 | | | BIN D |
| | | 3.2 | | 9.6 | | | BIN E |
| | | 6.4 | | | | | BIN F |

TYPICAL ELECTRICAL / OPTICAL CHARACTERISTICS CURVES

(25°C Ambient Temperature Unless Otherwise Noted)

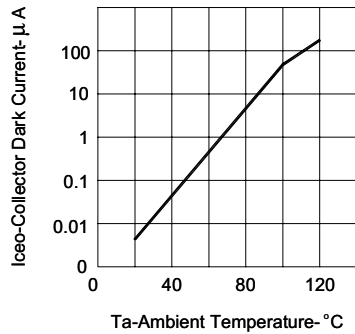


FIG.1 COLLECTOR DARK CURRENT VS AMBIENT TEMPERATURE

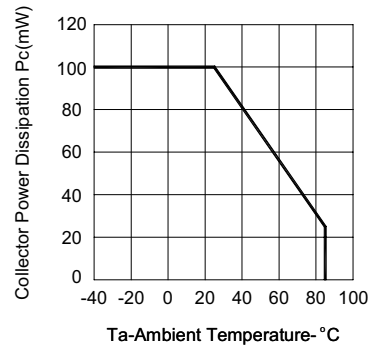


FIG.2 COLLECTOR POWER DISSIPATION VS AMBIENT TEMPERATURE

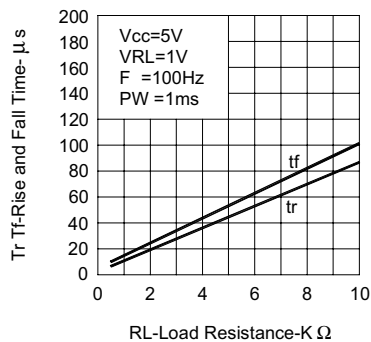


FIG.3 RISE AND FALL TIME VS LOAD RESISTANCE

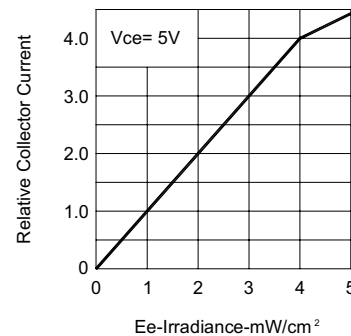


FIG.4 RELATIVE COLLECTOR CURRENT VS IRRADIANCE

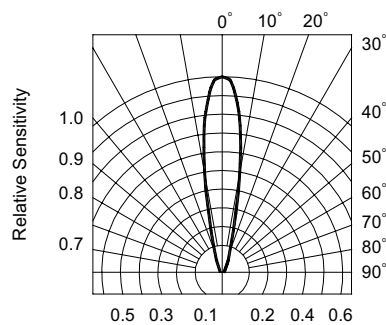


FIG.5 SENSITIVITY DIAGRAM

X-ON Electronics

Largest Supplier of Electrical and Electronic Components

Click to view similar products for [Phototransistors](#) category:

Click to view products by [Lite-On](#) manufacturer:

Other Similar products are found below :

[LTR-5576D](#) [PT17-21B/L41/TR8](#) [PT908-7B-F](#) [QSD123A4R0](#) [ASDL-6620-C22](#) [OED-ST-8LR2](#) [OED-STR44B90-TR](#) [SD5410-109](#) [PT26-21C/CT](#) [PT15-21B-TR8](#) [PT-IC-AC-3528-520](#) [PT-IC-BC-3528-550](#) [MHT153PTBT](#) [MHS153PTBT](#) [PT5529B/L2/H2-F](#) [PT91-21C/TR10](#) [BP103-3/4](#) [BPX 38-3](#) [BPY 62](#) [KPS-3227SP1C](#) [L-53P3BT](#) [L-53P3C](#) [L-93DP3BT](#) [L-93DP3C](#) [LL-503PTC2E-1AD](#) [LL-S150PTC-1A](#) [LL-S150PTD-1A](#) [SFH 320](#) [SFH 320-3](#) [SFH 320 FA](#) [OP508FA](#) [TEMT1030](#) [LTR-301](#) [PGM5516-MP](#) [PGM5526-MP](#) [PGM5549](#) [PGM5637D](#) [VTT7125H](#) [VEMT4700F-GS08](#) [PT19-21B/L41/TR8](#) [KP-2012P3C](#) [TEKT5400S](#) [SD1410-128L](#) [SFH 313 FA-3/4](#) [SFH 313 FA-2/3](#) [SFH 320-4-Z](#) [SFH 309 FA-5/6](#) [PT4800FE000F](#) [SFH 309-5/6](#) [SFH 3410-1/2-Z](#)