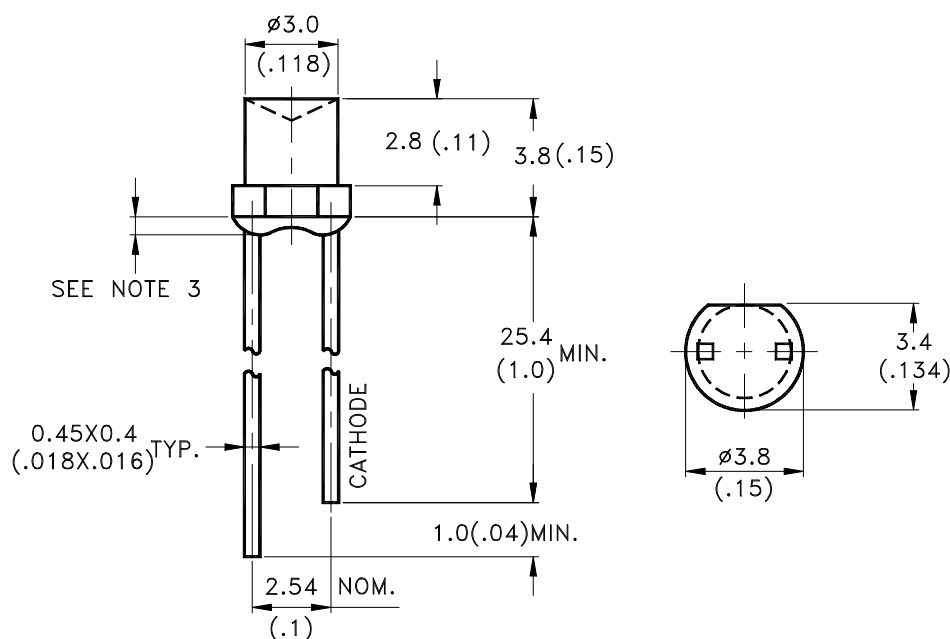


Features

- * Lead (Pb) free product - RoHS compliant
- * Low power consumption.
- * High efficiency & reliability.
- * Versatile mounting on p.c. board or panel.
- * I.C. compatible/low current requirement.
- * Popular T-1 diameter.



Package Dimensions



| Part No. | Lens Color | Emitted Color |
|------------|-------------|---------------|
| LTW-87HD4B | Water Clear | InGaN White |

NOTES:

1. All dimensions are in millimeters (inches).
2. Tolerance is $\pm 0.25\text{mm}$ (.010") unless otherwise noted.
3. Protruded resin under flange is 1.0mm (.04") max.
4. Lead spacing is measured where the leads emerge from the package.
5. Specifications are subject to change without notice.



LITE-ON TECHNOLOGY CORPORATION

Property of Lite-On Only

Absolute Maximum Ratings at Ta=25°C

| PARAMETER | MAXIMUM RATING | UNIT |
|--|---------------------|------|
| Power Dissipation | 108 | mW |
| Peak Forward Current (1/10 Duty Cycle, 0.1ms Pulse Width) | 40 | mA |
| DC Forward Current | 20 | mA |
| Reverse Voltage | 5 | V |
| Operating Temperature Range | -30°C to + 85°C | |
| Storage Temperature Range | -40°C to + 100°C | |
| Lead Soldering Temperature [2.0mm(.08") From Body] | 260°C for 5 Seconds | |

Electrical / Optical Characteristics at Ta=25°C

| PARAMETER | SYMBOL | MIN. | TYP. | MAX. | UNIT | TEST CONDITION |
|--------------------------|-------------------|------|-------|------|------|---|
| Luminous Intensity | I _v | 50 | (140) | | mcd | I _F = 20mA Note 1,2,3 I _v Spec. Table |
| Viewing Angle | 2θ _{1/2} | - | 130 | - | deg | Note 4 |
| Chromaticity Coordinates | x | - | 0.25 | - | | I _F = 20mA Note 5 |
| | y | - | 0.21 | - | | Hue Spec. Table & Chromaticity Diagram |
| Forward Voltage | V _F | - | 3.3 | 3.6 | V | I _F = 20mA |
| Reverse Current | I _R | - | - | 2 | μA | V _R = 5V |

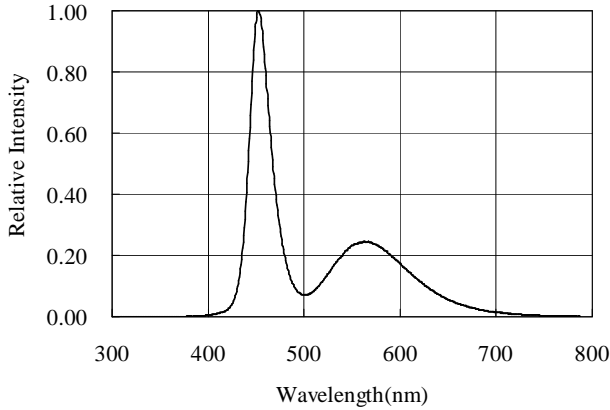
NOTE:

1. Luminous intensity is measured with a light sensor and filter combination that approximates the CIE eye-response curve.
2. The I_v guarantee should be added ±15% tolerance.
3. I_v classification code is marked on each packing bag.
4. θ_{1/2} is the off-axis angle at which the luminous intensity is half the axial luminous intensity.
5. The chromaticity coordinates (x, y) is derived from the 1931 CIE chromaticity diagram.

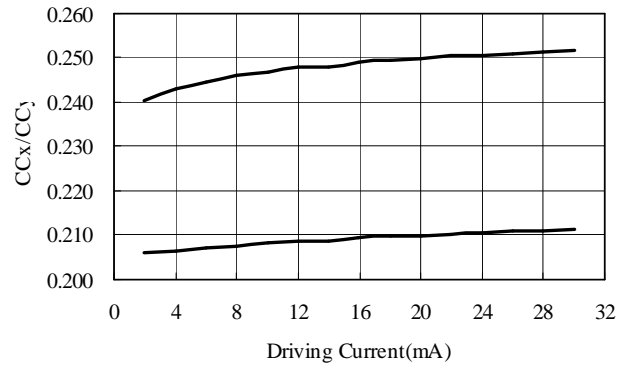
Typical Electrical / Optical Characteristics Curves

(25°C Ambient Temperature Unless Otherwise Noted)

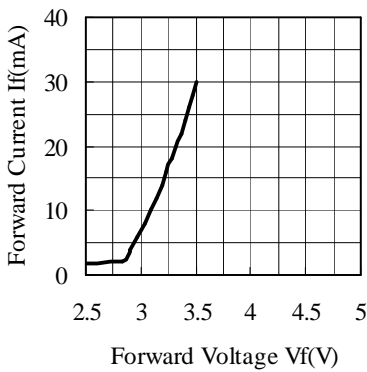
Spectrum



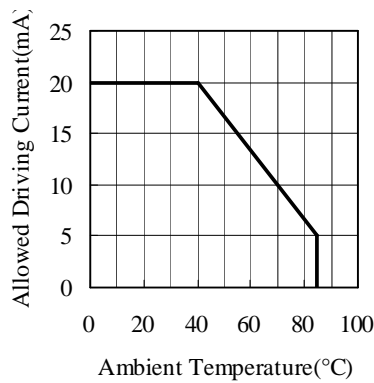
Forward Current vs. Chromaticity Coordinate



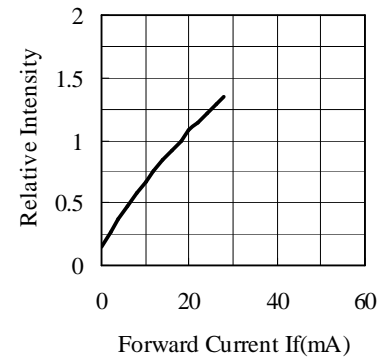
Forward Voltage vs. Forward Current



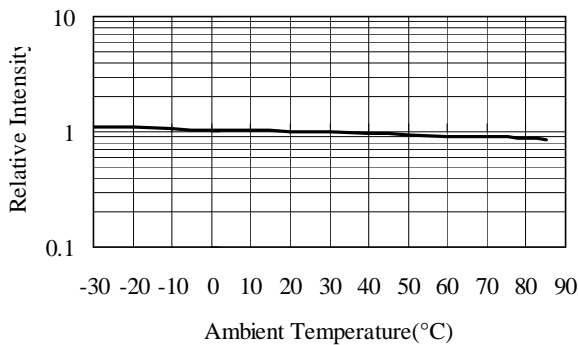
Ambient Temperature vs. Forward Current



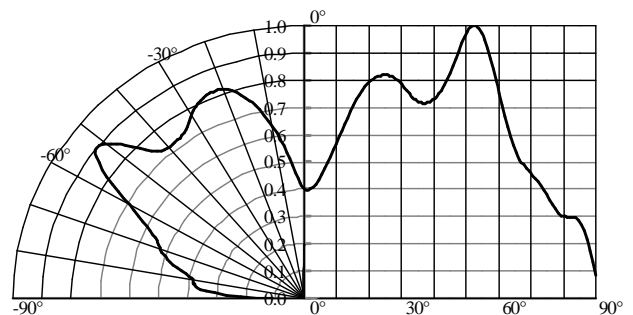
Forward Current vs. Relative Luminous Intensity



Ambient Temperature vs. Relative Luminous Intensity



Directivity

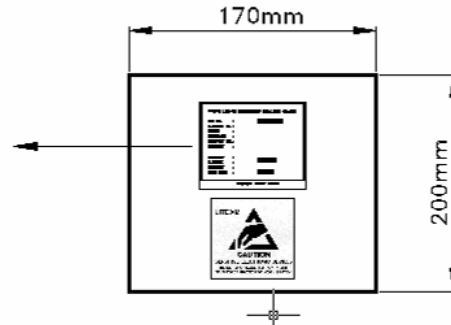
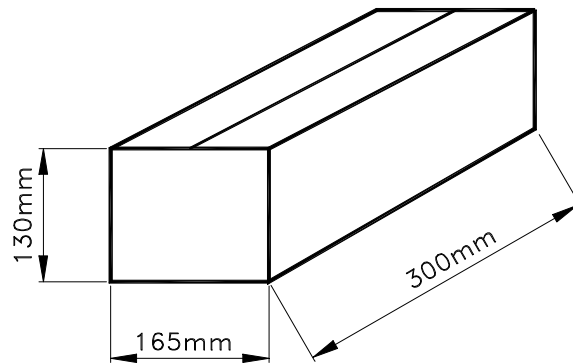
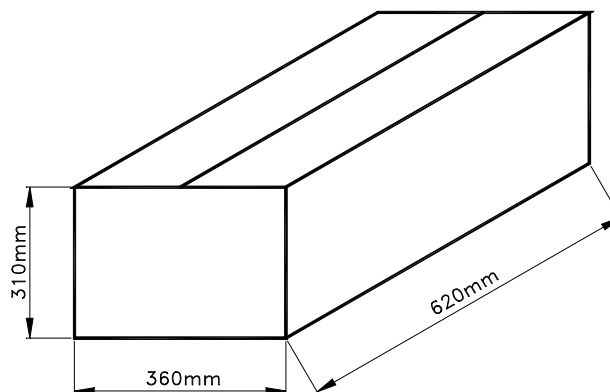


Property of Lite-On Only

Packing Specification**500 pcs per packing bag**

| | |
|---|------------|
| LITEON LITE-ON ELECTRONICS (THAILAND) CO.,LTD. | |
| LOT NO. : | ■■■■■■■■■■ |
| MATERIAL NO. : | |
| BATCH : | |
| CUSTOMER : | |
| CUS.PART NO. : | |
| | |
| QUANTITY : | ■■■■■■■■ |
| MACHINE : | |
| COMMENT : | |
| DATE CODE : | ■■■■■■■■ |

2003/06/20 16:19:47 TLMP002

**10 packing bags per inner carton****Total 5,000 pcs per inner carton****8 Inner cartons per outer carton****Total 40,000 pcs per outer carton**

Property of Lite-On Only
Optical/Electrical Bin Table
Iv Spec. Table for Reference

| Iv Rank | Luminous Intensity (mcd) , If=20mA | |
|---------|------------------------------------|------|
| | min. | max. |
| EF | 85 | 140 |
| GH | 140 | 240 |
| JK | 240 | 400 |

Luminous Intensity Measurement allowance is 15%

Vf Spec. Table for Reference

| Vf Rank | Luminous Intensity (mcd) , If=20mA | |
|---------|------------------------------------|------|
| | min. | max. |
| 3E | 3.0 | 3.2 |
| 4E | 3.2 | 3.4 |
| 5E | 3.4 | 3.6 |

Luminous Intensity Measurement allowance is 15%

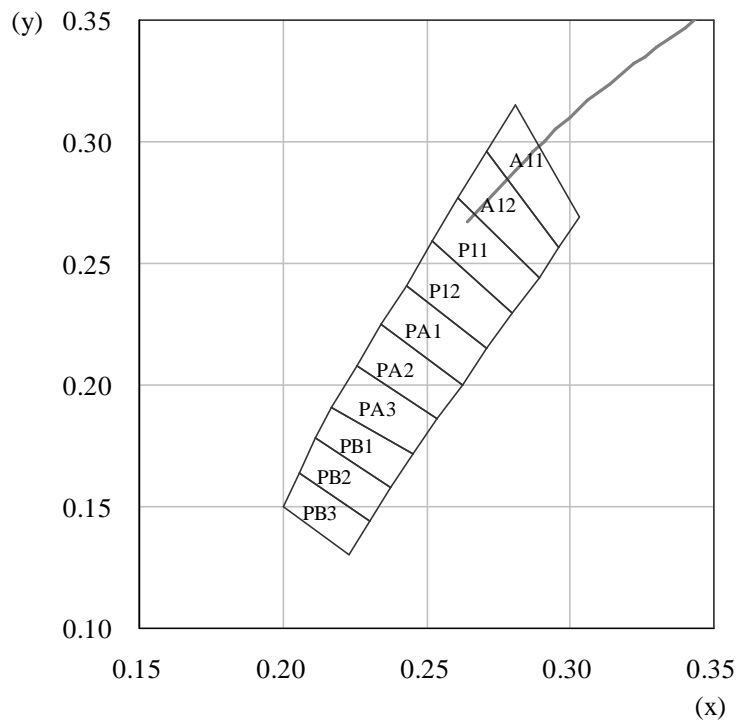
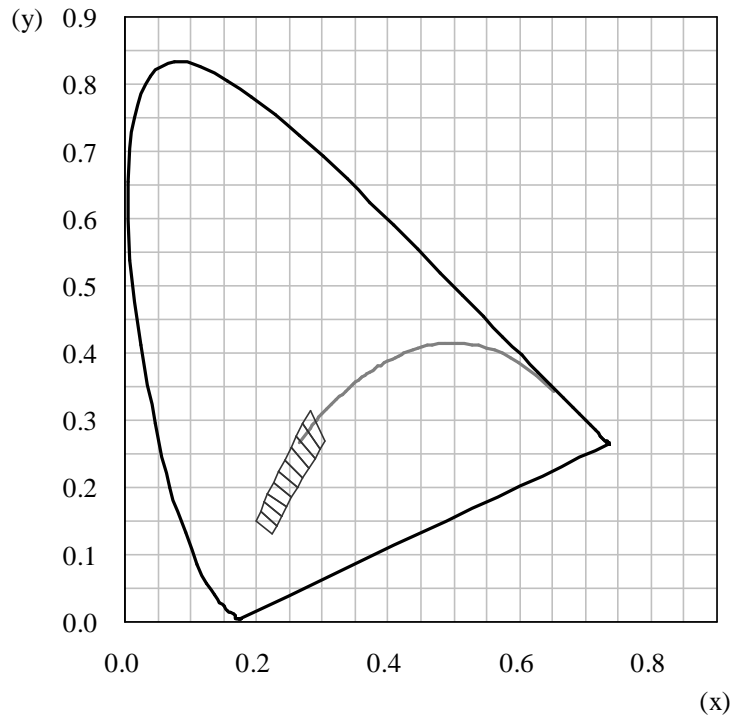
Hue Spec. Table for Reference

| Hue Rank | Chromaticity Coordinates, If=20 mA | | | | |
|----------|------------------------------------|--------|--------|--------|--------|
| PB3 | x | 0.2057 | 0.2303 | 0.2230 | 0.2000 |
| | y | 0.1640 | 0.1440 | 0.1300 | 0.1500 |
| PB2 | x | 0.2114 | 0.2376 | 0.2303 | 0.2057 |
| | y | 0.1780 | 0.1580 | 0.1440 | 0.1640 |
| PB1 | x | 0.2170 | 0.2450 | 0.2376 | 0.2114 |
| | y | 0.1910 | 0.1720 | 0.1580 | 0.1780 |
| PA3 | x | 0.2257 | 0.2537 | 0.2450 | 0.2170 |
| | y | 0.2080 | 0.1860 | 0.1720 | 0.1910 |
| PA2 | x | 0.2344 | 0.2624 | 0.2537 | 0.2257 |
| | y | 0.2250 | 0.2000 | 0.1860 | 0.2080 |
| PA1 | x | 0.2430 | 0.2710 | 0.2624 | 0.2344 |
| | y | 0.2410 | 0.2150 | 0.2000 | 0.2250 |
| P12 | x | 0.2520 | 0.2800 | 0.2710 | 0.2430 |
| | y | 0.2590 | 0.2295 | 0.2150 | 0.2410 |
| P11 | x | 0.2610 | 0.2890 | 0.2800 | 0.2520 |
| | y | 0.2770 | 0.2440 | 0.2295 | 0.2590 |
| A12 | x | 0.2710 | 0.2960 | 0.2890 | 0.2610 |
| | y | 0.2960 | 0.2565 | 0.2440 | 0.2770 |
| A11 | x | 0.2810 | 0.3030 | 0.2960 | 0.2710 |
| | y | 0.3150 | 0.2690 | 0.2565 | 0.2960 |

Color Coordinates Measurement allowance is ± 0.01

Property of Lite-On Only

C.I.E. 1931 Chromaticity Diagram



CAUTIONS

1. Application

The LEDs described here are intended to be used for ordinary electronic equipment (such as office equipment, communication equipment and household applications). Consult Liteon's Sales in advance for information on applications in which exceptional reliability is required, particularly when the failure or malfunction of the LEDs may directly jeopardize life or health (such as in aviation, transportation, traffic control equipment, medical and life support systems and safety devices).

2. Storage

The storage ambient for the LEDs should not exceed 30°C temperature or 70% relative humidity. It is recommended that LEDs out of their original packaging are used within three months.

For extended storage out of their original packaging, it is recommended that the LEDs be stored in a sealed container with appropriate desiccant or in a dessicator with nitrogen ambient.

3. Cleaning

Use alcohol-based cleaning solvents such as isopropyl alcohol to clean the LEDs if necessary.

4. Lead Forming & Assembly

During lead forming, the leads should be bent at a point at least 3mm from the base of LED lens. Do not use the base of the leadframe as a fulcrum during forming. Lead forming must be done before soldering at normal temperature. During assembly on PCB, use minimum clinch force possible to avoid excessive mechanical stress

5. Soldering

When soldering, leave a minimum of 3mm clearance from the base of the lens to the soldering point. Dipping the lens into the solder must be avoided. Do not apply any external stress to the lead frame during soldering while the LED is at high temperature.

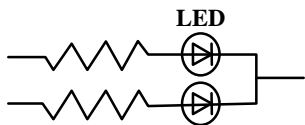
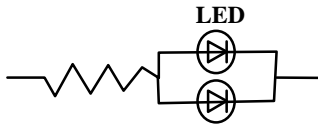
Recommended soldering condition:

| Soldering Iron | | Wave Soldering | |
|----------------|--------------------------------|----------------|--------------|
| Temperature | 300°C Max. | Pre-heat | 100°C Max. |
| Soldering time | 3 sec. Max. (one time only) | Pre-heat time | 60 sec. Max. |
| | | Solder wave | 260°C Max. |
| | | Soldering time | 5 sec. Max. |

Note: Excessive soldering temperature and/or time might result in deformation of the LED lens or catastrophic failure of the LED. IR re-flow is not suitable process for through-hole type LED lamp production.

6. Drive Method

An LED is a current operated device, In order to ensure intensity uniformity on multiple LEDs connected in parallel in an application; it is recommended that a current limiting resistor be incorporated in the drive circuit. In series with each LED as shown in Circuit A below.

| Circuit model A | Circuit model B | (A) Recommended circuit. (B) The brightness of each LED might appear different due to the differences in the I-V characteristics of those LEDs |
|---|---|---|
|  |  | |

7. ESD (Electrostatic Discharge)

Static Electricity or power surge will damage the LED.

Suggestions to prevent ESD damage.

- Use a conductive wrist band or anti-electrostatic glove when handling these LEDs.
- All devices, equipment, and machinery must be properly grounded.
- Work tables, storage racks, etc. should be properly grounded.
- Use ion blower to neutralize the static charge which might have built up on surface of the LED's plastic lens as a result of friction between LEDs during storage and handling.

ESD-damaged LEDs will exhibit abnormal characteristics such as high reverse leakage current, low forward voltage, or “no light up” at low currents. To verify for ESD damage, check for “light up” and Vf of the suspect LEDs at low currents.

Suggested checking list:

Training and Certification

1. Everyone working in a static-safe area is ESD-certified?
2. Training records kept and re-certification dates monitored?

Static-Safe Workstation & Work Areas

1. Static-safe workstation or work-areas have ESD signs?
2. All surfaces and objects at all static-safe workstation and within 1 ft measure less than 100V?
3. All ionize activated, positioned towards the units?
4. Each work surface mats grounding is good?

Personnel Grounding

1. Every person (including visitors) handling ESD sensitive (ESDS) items wear wrist strap, heel strap or conductive shoes with conductive flooring?
2. If conductive footwear used, conductive flooring also present where operator stand or walk?
3. Garments, hairs or anything closer than 1 ft to ESD items measure less than 100V*?
4. Every wrist strap or heel strap/conductive shoes checked daily and result recorded for all DLs?
5. All wrist strap or heel strap checkers calibration up to date?

Note: *50V for Blue LED.

Device Handling

1. Every ESDS items identified by EIA-471 labels on item or packaging?
2. All ESDS items completely inside properly closed static-shielding containers when not at static-safe workstation?
3. No static charge generators (e.g. plastics) inside shielding containers with ESDS items?
4. All flexible conductive and dissipative package materials inspected before reuse or recycle?

Others

1. Audit result reported to entity ESD control coordinator?
2. Corrective action from previous audits completed?
3. Are audit records complete and on file?

8. Others

White LED is materialized by combining blue LED and phosphors. Color of White LED is changed a little by an operating current. The appearance and specifications of the product may be modified for improvement, without prior notice.

X-ON Electronics

Largest Supplier of Electrical and Electronic Components

Click to view similar products for [Standard LEDs - Through Hole category](#):

Click to view products by [Lite-On manufacturer](#):

Other Similar products are found below :

[LTL-10254W](#) [LTL-1214A](#) [LTL-2231AT](#) [LTL-3251A](#) [LTL-4262N](#) [LTL-433P](#) [LTL-5234](#) [LTL87HTBK](#) [LTW-87HD4B](#) [HLMP-EL30-PS0DD](#) [1L0532V23G0TD001](#) [NSPW500CS](#) [NTE30036](#) [NTE30044](#) [NTE30059](#) [NTE3020](#) [LD CQDP-1U3U-W5-1-K](#) [LP379PPG1C0G0300001](#) [SLR-342MC3F](#) [SLX-LX3044GD](#) [SLX-LX3044ID](#) [SLX-LX3044YD](#) [1.90690.3330000](#) [SSS-LX4673ID-410B](#) [1L0532Y24I0TD001](#) [264-7SYGD/S530-E2](#) [HLMP-1301-G00FG](#) [HLMP1385](#) [LTL-10224W](#) [LTL-1224A](#) [LTL-1234A](#) [LTL-2251AT](#) [LTL-403HR](#) [LTL-4222](#) [LU7-E-B](#) [4380H1](#) [HLMP-3962-F0002](#) [HLMP-GG15-R0000](#) [323-2SURD/S530-A3](#) [L53SRC/E-Z](#) [L-7679C1ZGC](#) [4302T1-5V](#) [4306D23](#) [4363D1/5](#) [WP1503SRC/J4](#) [WP153GDT](#) [WP153YDT](#) [WP1543SGC](#) [WP1543SURC](#) [WP53MGD](#)