

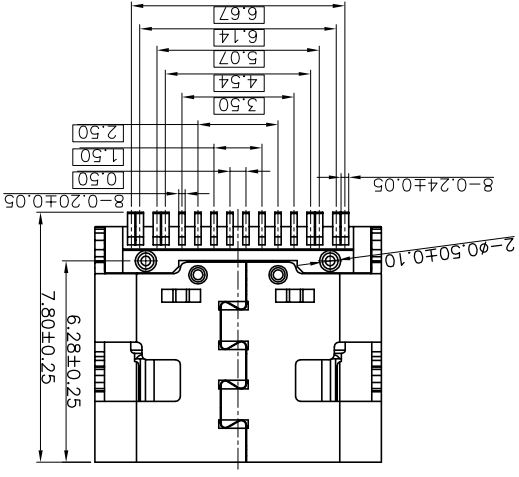
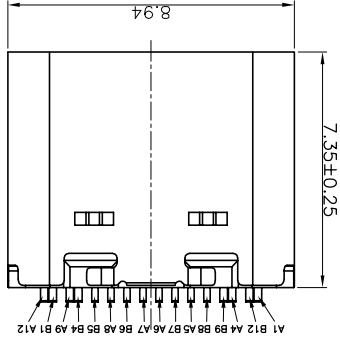
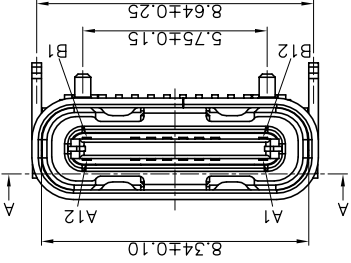
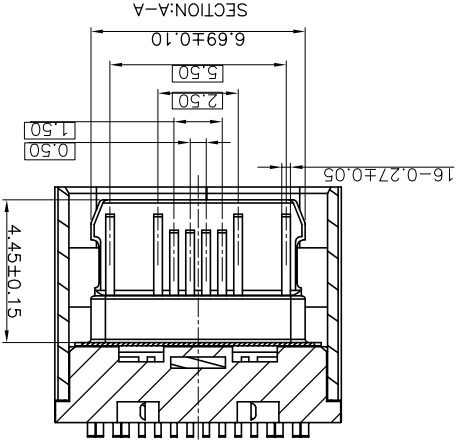
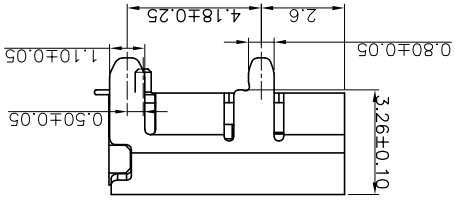
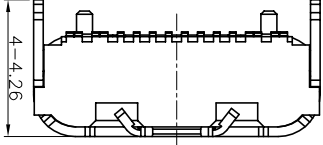
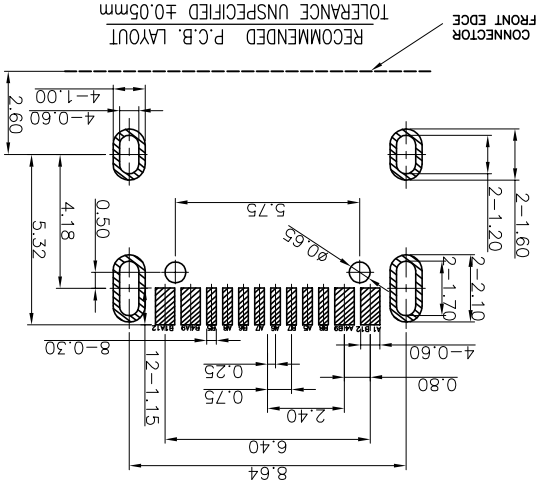
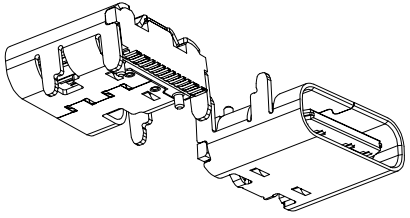


AUTOCAD GENERATED DRAWING. DON'T CHANGE BY HAND.

REV.	A	ECN NO.		DESCRIPTION	NEW	Henry_Huang	2019.08.27	DATE
------	---	---------	--	-------------	-----	-------------	------------	------

NOTES:
SPECIFICATION:

1. CURRENT RATING: 5A MAX
2. VOLTAGE: 100 VAC
3. TEMPERATURE RANGE: -25 °C ~ 85 °C
4. CONTACT RESISTANCE: 40 MILLIONHM MAX
5. INSULATION RESISTANCE: 100 MEGOHMS MIN.
6. INSERTION FORCE : 5N~20N
7. UNMATING FORCE: 8N~20N
8. DURABILITY: 10,000 CYCLES



PIN	SIGNAL NAME	PIN	SIGNAL NAME
A1	GND	B12	GND
A4	VBUS	B9	VBUS
A5	CC1	B8	SBU2
A6	DP1	B7	DN2
A7	DN1	B6	DP2
A8	SBU1	B5	CC2
A9	VBUS	B4	VBUS
A12	GND	B1	GND

NO.	DESCRIPTION	FINISH/COLOR	MATERIAL	QTY
1	HOUSING	HIGH TEMPERATURE PLASTIC	LCP E1301 30%GF	1PCS
2	CONTACT	Ni:50~80u"Ti:100~180u" Au:1u"Min环保 镀雾24H ORANGE	C7025 T=0.15mm	1SET
3	CONTACT	Ni:50~80u"Ti:100~180u" Au:1u"Min环保 镀雾24H ORANGE	C7025 T=0.15mm	1SET
4	SHELL	Ni:50u"min (可焊接) 环保 镀雾24H	SUS304 1/2H T=0.30mm	1PCS
5	中美片	Matte Tin: 100u"Min 环保 镀雾24H	SUS301R-H T=0.15mm	1PCS
6	接地片	Ni Overall 50u"min (电镀)	SUS316L-1/2H T=0.12mm	1PCS

UNITS	mm	SCALE	1:1	REV.	A	SHEET	1 OF 1	DATE	2019.08.27	DR.	TITLE		
GENERAL TOLERANCE			深圳市正耀科技有限公司 LITKCONN TECHNOLOGY CO., LTD.										
CHK.	MATERIAL		SEE TABLE		FINISH		SEE TABLE		APPD.		DWG. NO. DWG-TYPE_C-0066		
TOLERANCE		0. ±0.30		0.0 ±0.25		0.0 ±0.15		0.0 ±0.10		0.0 ±0.05		0.0 ±0.02	
APPD.		PART NO.		CF003.11L3.3H1		SIZE		A4		PART NO.		CF003.11L3.3H1	
DR.		USB C TYPE		母座单排16pin		FINISH		SEE TABLE		PART NO.		CF003.11L3.3H1	
REV.		SCALE		1:1		SHEET		1 OF 1		DATE		2019.08.27	
UNITS		SCALE		1:1		SHEET		1 OF 1		DATE		2019.08.27	

1 2 3 4 5 6

A B C D

1 2 3 4 5 6

A B C D

X-ON Electronics

Largest Supplier of Electrical and Electronic Components

Click to view similar products for [USB Connectors](#) category:

Click to view products by [LITK](#) manufacturer:

Other Similar products are found below :

[10033527-N3112MLF](#) [17-210561](#) [GMCB05B11124H1EU](#) [17-200931](#) [65-647-8-BK-BU](#) [690-010-295-484](#) [73725-1191BLF](#) [950](#) [E8144-B01021-L](#) [A-USB A-LP-SMT-C](#) [A-USB B-TOP-C](#) [MUSBA511N5](#) [MUSBB15131](#) [MUSBC111M5](#) [MUSBD11135](#) [217450-1](#) [CA 6 W LD](#)
[896-30-004-00-000000](#) [KUSBVX-BS1N-W30](#) [KUSBX-AP-KIT-SCBLK](#) [KUSBX-AS2N-W](#) [KUSBX-SMT2AP1S-W](#) [KUSBX-SMTAS1NBTR](#) [KUSBX-SMTBS1NBTR](#) [30-498-6](#) [SK-60A-2](#) [17-200261](#) [17-210051](#) [1734082-1](#) [FK-37-32SL](#) [30-1574](#) [30-470](#) [30-489](#) [30-541](#) [30-572-3](#) [30-9503](#) [M9177/2-1](#) [MAB 5 S](#) [MIKROE-1451](#) [33UBBR-04SW11R](#) [USBFTV2PEM2G](#) [USBFTVC6ZN](#) [USBFTVSCCG](#)
[KUSBX-AS2N-W30](#) [KUSBX-SLAS1N-W](#) [KUSBX-SLAS1N-W30](#) [1-1734084-2](#) [E8110-001-01](#) [MUSBC11135](#) [NK-27-32SL](#)