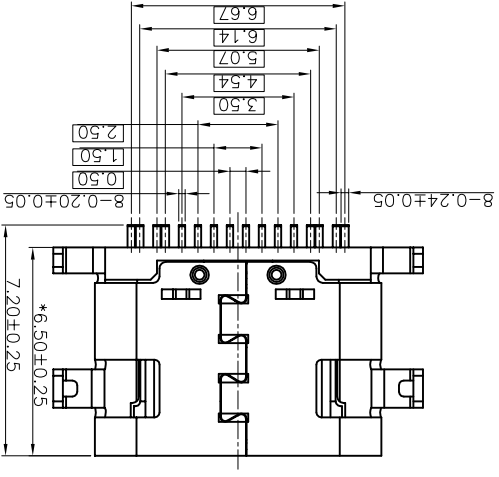
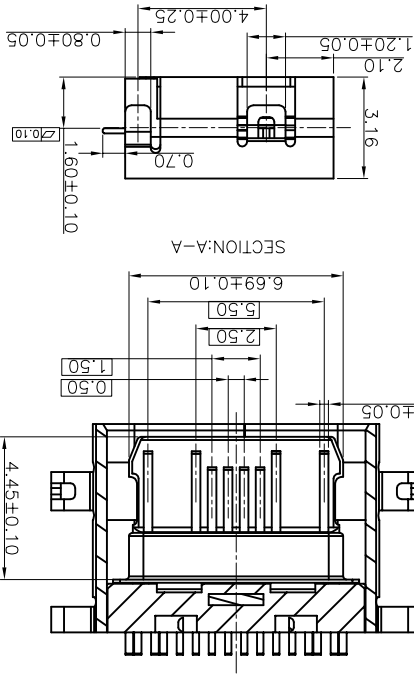
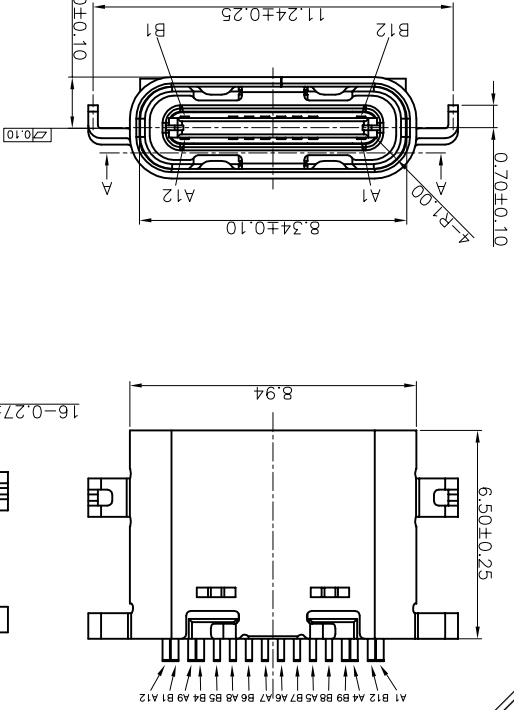
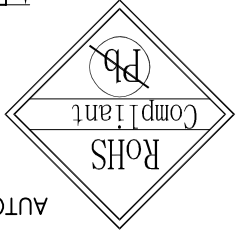


AUTOCAD GENERATED DRAWING. DON'T CHANGE BY HAND.

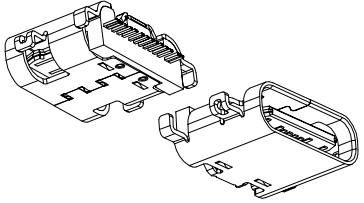
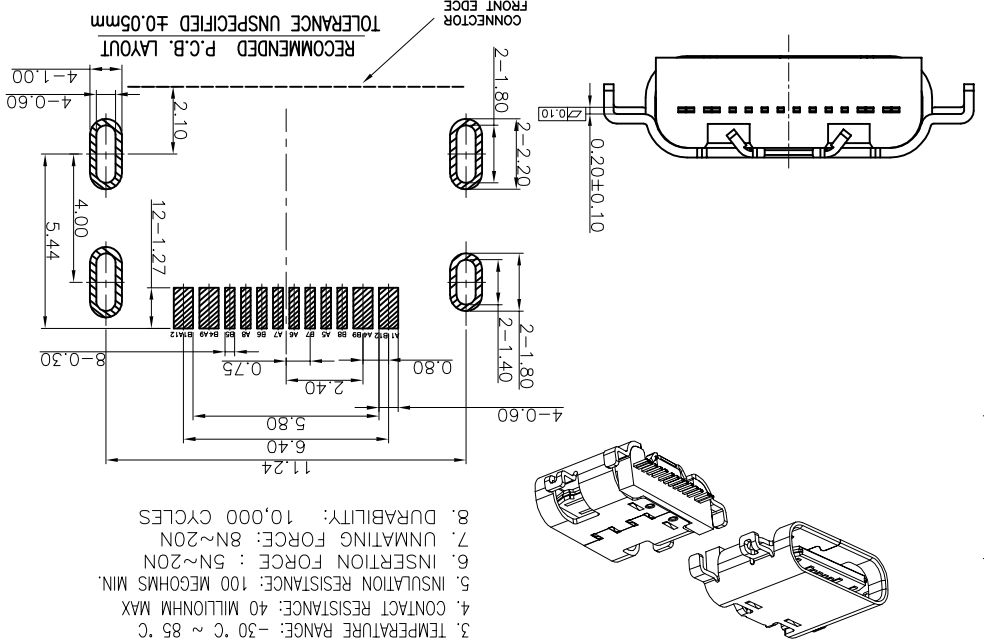


PIN	SIGNAL NAME	PIN	SIGNAL NAME
A12	GND	B1	GND
A9	VBUS	B4	VBUS
A8	SBU1	B5	CC2
A7	DN1	B6	DP2
A6	DP1	B7	DN2
A5	CC1	B8	SBU2
A4	VBUS	B9	VBUS
A1	GND	B12	GND

UNITS	SCALE	REVISION	DATE
mm	1:1	A	

GENERAL TOLERANCE	APPROXIMATE	DWG. NO.	PART NO.
0.0 ±0.30	0.0 ±0.30	DWG-TYPE-C-0074	CF005.11L6.3H1
0.0 ±0.20	0.0 ±0.15		
0.0 ±0.15	0.0 ±0.10		
0.0 ±0.10	0.0 ±0.05		
0.0 ±0.05	0.0 ±0.02		
0.0 ±0.02	0.0 ±0.01		

NO.	DESCRIPTION	FINISH/COLOR	MATERIAL	QTY
1	HOUSING	HIGH TEMPERATURE PLASTIC	LCP E1301 30%GF	1PCS
2	CONTACT	Ni:50~80u"Ti:100~180u" Au:1u"Min环保 盐雾24H ORANGE	C7025 T=0.15mm	1SET
3	CONTACT	Ni:50~80u"Ti:100~180u" Au:1u"Min环保 盐雾24H ORANGE	C7025 T=0.15mm	1SET
4	SHELL	Ni:50u"min (可焊接) 环保 盐雾24H	SUS304 1/2H T=0.30mm	1PCS
5	中美片	Matte Tin: 100u"Min 环保 盐雾24H	SUS301R-H T=0.15mm	1PCS
6	接地片	Ni Overall 50u"min (电镀)	SUS316L-1/2H T=0.12mm	1PCS



- NOTES:
- CURRENT RATING: 5A MAX
 - VOLTAGE: 100 VAC
 - TEMPERATURE RANGE: -30 °C ~ 85 °C
 - CONTACT RESISTANCE: 40 MILLIONHM MAX
 - INSULATION RESISTANCE: 100 MEGOHMS MIN.
 - INSERTION FORCE: 5N~20N
 - UNMATING FORCE: 8N~20N
 - DURABILITY: 10,000 CYCLES

REV.	ECN NO.	DESCRIPTION	DATE
A		NEW	2019.08.27

REV.	SHEET	DATE	DR.	CHK.	APPD.	DWG. NO.	PART NO.	SIZE
A	1 OF 1		深圳市正耀科技有限公司 LITKCONN TECHNOLOGY CO., LTD.	SEE TABLE	SEE TABLE	DWG-TYPE-C-0074	CF005.11L6.3H1	A4

6

5

4

3

2

1

D

C

B

A

X-ON Electronics

Largest Supplier of Electrical and Electronic Components

Click to view similar products for [USB Connectors](#) category:

Click to view products by [LITK](#) manufacturer:

Other Similar products are found below :

[10033527-N3112MLF](#) [17-210561](#) [GMCB05B11124H1EU](#) [17-200931](#) [65-647-8-BK-BU](#) [690-010-295-484](#) [73725-1191BLF](#) [950](#) [E8144-B01021-L](#) [A-USB A-LP-SMT-C](#) [A-USB B-TOP-C](#) [MUSBA511N5](#) [MUSBB15131](#) [MUSBC111M5](#) [MUSBD11135](#) [217450-1](#) [CA 6 W LD](#)
[896-30-004-00-000000](#) [KUSBVX-BS1N-W30](#) [KUSBX-AP-KIT-SCBLK](#) [KUSBX-AS2N-W](#) [KUSBX-SMT2AP1S-W](#) [KUSBX-SMTAS1NBTR](#) [KUSBX-SMTBS1NBTR](#) [30-498-6](#) [SK-60A-2](#) [17-200261](#) [17-210051](#) [1734082-1](#) [FK-37-32SL](#) [30-1574](#) [30-470](#) [30-489](#) [30-541](#) [30-572-3](#) [30-9503](#) [M9177/2-1](#) [MAB 5 S](#) [MIKROE-1451](#) [33UBBR-04SW11R](#) [USBFTV2PEM2G](#) [USBFTVC6ZN](#) [USBFTVSCCG](#)
[KUSBX-AS2N-W30](#) [KUSBX-SLAS1N-W](#) [KUSBX-SLAS1N-W30](#) [1-1734084-2](#) [E8110-001-01](#) [MUSBC11135](#) [NK-27-32SL](#)