

00599362 CONNECTORS

Emergency Starting Socket KIT

00599362



Description

Sealed socket with a connector that is used for emergency starting of a vehicle. The body is heavy duty with a flip cover that is sealed to IP54. The contact material is silver plated copper for maximum conductivity and corrosion resistance.

Features and Benefits

- Spring-loaded flip lid cover for socket ensures a watertight seal when the cover is closed
- Impact and chemical resistant PLASTIC cover and lid provide extended life in abusive environments.
- The highest protection available to water IP54 and high temperature.

Ordering Information

PART NUMBER	CURRENT ON	CURRENT OFF	IP	Nm CONTACT	Nm REAR NUT	CONTACT MATERIAL
00599362	1000A (10 sec.)	600A	54	18 Nm (±2)	2 Nm (±0,2)	copper with silver treatment.

Specifications Overview

Voltage: 12V/24V
Standards: ISO 25981-2

Web Resources

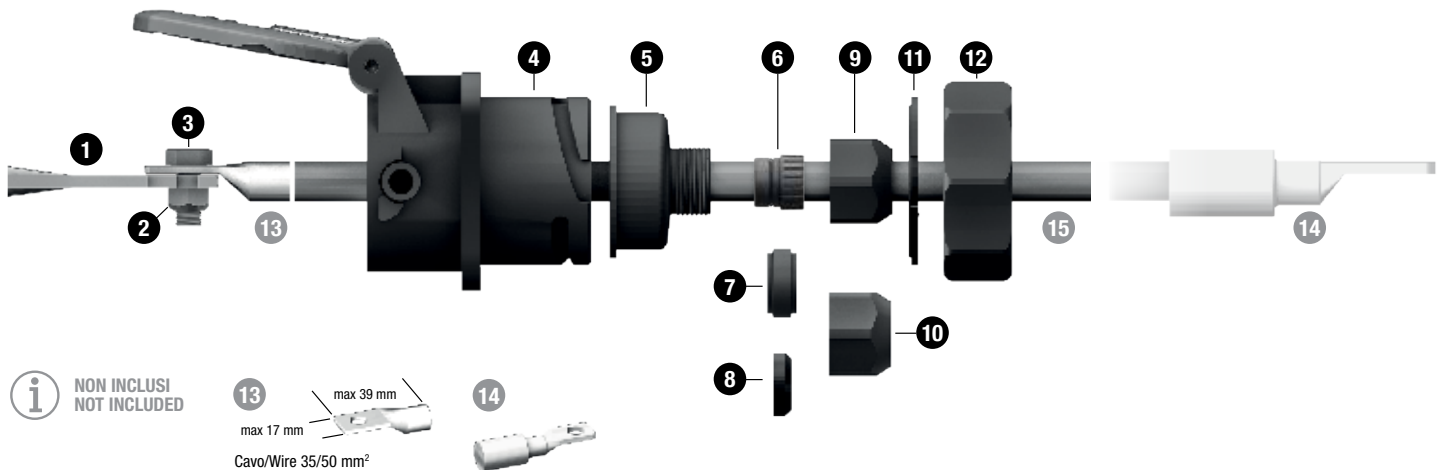
Download technical resources at:
littelfuse.com/connectors

Kit components

- 1 Contact
- 2 Contact Nut M8
- 3 Contact Bolt
- 4 Socket Body
- 5 Rear Body PG16 max 15,8 mm
- 6 Gasket 35
- 7 Gasket 50
- 8 Gasket 50 / Corrugated 50
- 9 Hexagonal Nut 35
- 10 Hexagonal Nut 50 / Corrugated 35 e 50
- 11 Back Gasket
- 12 Rear ring

Not Included

- 13 Cable Socket Lug
- 14 Cable Lug (to Starter)
- 15 Cable



i NON INCLUI
NOT INCLUDED

X-ON Electronics

Largest Supplier of Electrical and Electronic Components

Click to view similar products for [Circuit Protection Kits](#) category:

Click to view products by [Littelfuse](#) manufacturer:

Other Similar products are found below :

[96-501A](#) [STANDARD SAMPLE KIT](#) [4030-02](#) [02800.0-01](#) [MC-600](#) [4879275](#) [4879279](#) [4879315](#) [4879333](#) [4879338](#) [B72499A9999K199](#)
[ORBOX006Z](#) [B57888S0888M888](#) [B72499I9999K199](#) [B72499S9999K199](#) [01610.0-01](#) [B57999V5999J199](#) [STD sample kit](#) [DK-IsoMOV-04](#)
[DK-IsoMOV-02](#) [DK-IsoMOV-03](#) [SF-KIT-AUTO-1](#) [SF-KIT-AUTO-2](#) [SF-KIT-HC-1](#) [SF-KIT-HV-1](#) [SF-KIT-IEC-1](#) [8C4-B-B21](#) [MAI](#)
[X1180-01-XT202-1A](#) [X1180-01-ST201-4A](#) [Kit-GG01](#) [00599362](#) [00680300](#) [0FHZ00854-BX](#) [MITI-7-6-10](#) [MITI-7-10-15](#) [502069705](#)
[01602.0-00](#) [B74999T9999M099](#) [96-500A](#) [ZENER-KIT](#) [A-2130](#) [B57999V2999J199](#) [820999](#) [Mini sample kit](#) [MS sample kit](#)
[KITTVSDIODE1TOBO1](#) [4030-01](#) [CD-LAB10](#) [CD-LAB11](#)