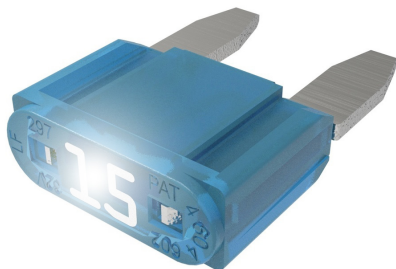


Indicator MINI Smart Glow fuse

Rated 32 V DC

RoHS



Description

Each fast-acting MINI® Smart Glow blade fuse features an LED indicator light that comes on when the fuse blows. Like other MINI fuses, it boasts a miniature design that allows automakers to pack more circuit protection into less space. Despite their light weight, MINI fuses perform reliably in adverse environments and at extreme temperatures.

Features & Benefits

- Available with ampere ratings of 3 A to 30 A
- Interrupting ratings of 1 kA at 32 VDC
- Operate at up to 125 °C
- Tin-plated zinc alloy terminals
- PA66 housings with UL flammability ratings of V-2
- Net weight 0.57 g ±5 % per fuse
- Comply with SAE J2077 and ISO 8820-3
- UL Listed
- Certified lead-free and RoHS compliant
- Color coding indicates ampere rating
- High-contrast ampere rating stamps aid identification
- See-through housings make it easier to see when fuses blow

Applications

- Cars and SUVs
- Trucks
- Buses
- Offroad vehicles
- Watercraft as approved by Littelfuse

Ratings

Color Code	Current Rating (A)	Material #	Carded	
				Catalog #
Gray	2	—		—
Violet	3	OMIN003.VPGLO		10-0003
Pink	4	—		—
Tan	5	OMIN005.VPGLO		10-1000
Brown	7.5A	OMIN07.5VPGLO		10-0007
Red	10A	OMIN010.VPGLO		10-1001
Blue	15A	OMIN015.VPGLO		10-1002
Yellow	20A	OMIN020.VPGLO		10-1003
Clear	25A	OMIN025.VPGLO		10-1004
Green	30A	OMIN030.VPGLO		10-1005

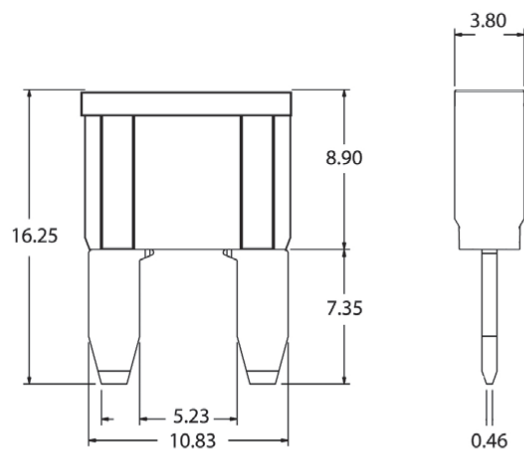
**SMART
GLOW** Fuse®

Indicator MINI Smart Glow fuse

Rated 32 V DC

Dimensions

Dimensions in mm. Please refer to the outline drawing for dimensions and tolerances.



**SMART
GLOW** Fuse®

X-ON Electronics

Largest Supplier of Electrical and Electronic Components

Click to view similar products for [Fuse Kits & Assortments](#) category:

Click to view products by [Littelfuse](#) manufacturer:

Other Similar products are found below :

[12052472](#) [194-044-9-001](#) [FUSE-2A/600VBLSTR](#) [00950000XXN](#) [SF-LAB1](#) [203411](#) [00940551Z](#) [00940367ZP](#) [ERK-28J](#) [00940553Z](#)
[00940419ZP](#) [CFBAR1-250BP](#) [32BS](#) [3004000](#) [521.800](#) [522.800](#) [632.830](#) [GSK-260](#) [ORBOX006Z](#) [12146815](#) [SF-SP-LAB1](#) [FUSE-](#)
[11A/1000V](#) [B1](#) [0695020.L](#) [0AGC0001ZPGLO](#) [00940558ZPA](#) [632.800](#) [812404](#) [12160438](#) [12160541](#) [SF-KIT-AUTO-1](#) [SF-KIT-AUTO-2](#)
[SF-KIT-HC-1](#) [SF-KIT-HV-1](#) [12004943](#) [12010105](#) [12160504](#) [BK/ATC-TAP](#) [BK/ATM-TAP](#) [BP/ATM-TAP-RP](#) [CDY10TRY-ATM-LP](#)
[CDY10TRY-FLNK2](#) [CDY10TRY-MAX](#) [CDY5TRY-BMOUNT](#) [CDY5TRY-FMX](#) [CDY5TRY-SMOUNT](#) [FUSE-ACC-KIT](#) [FUSE-CADDY1](#)
[FUSE-CADDY2](#) [NO270](#) [203403](#)